



Product manual

Air terminal unit

RVK

Airflow regulation

Version 1.0.4
Date: 09.11.2023.

RVK

- Volume flow control regulation by a given set-point
- Factory parametrization in accordance with clients request
- High regulation precision
- RVK-A - supply air
- RVK-B - exhaust air
- For high acoustic demand application

Options

- Constant
- Master-slave
- Sound insulated casing (50 mm)
- MP-Bus (standard), ModBus (Belimo/Siemens), KNX (Belimo/Siemens), MF (no Bus, Belimo), SGB (no Bus, Siemens), Bacnet (Belimo/Siemens)

FRONT SIDE



BACK SIDE

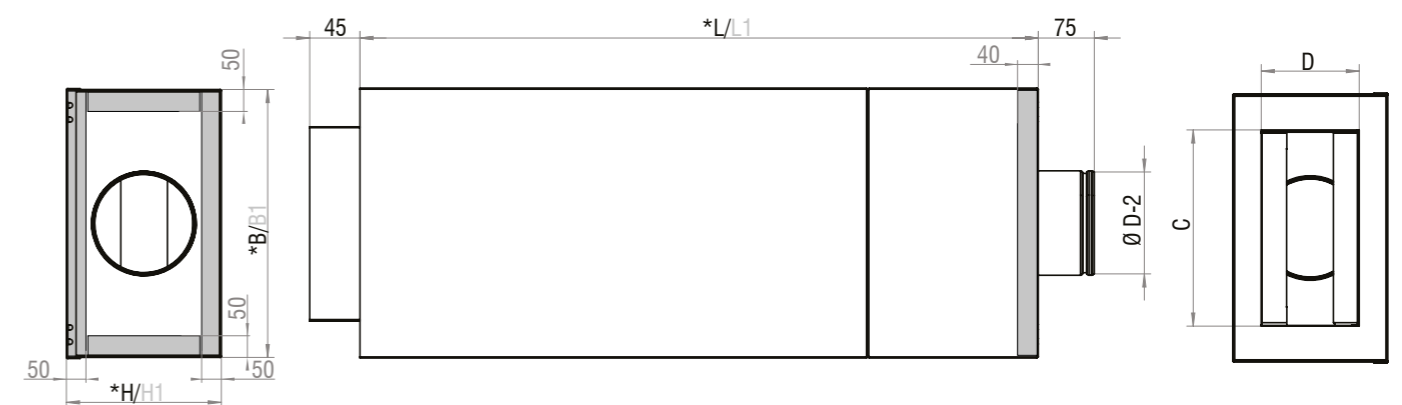


- ▶ [Product overview](#)
- ▶ [Ordering key](#)
- ▶ [Accessories](#)
- ▶ [Parametrization](#)
- ▶ [Actuators](#)
- ▶ [Diagrams](#)
- ▶ [Maintenance](#)

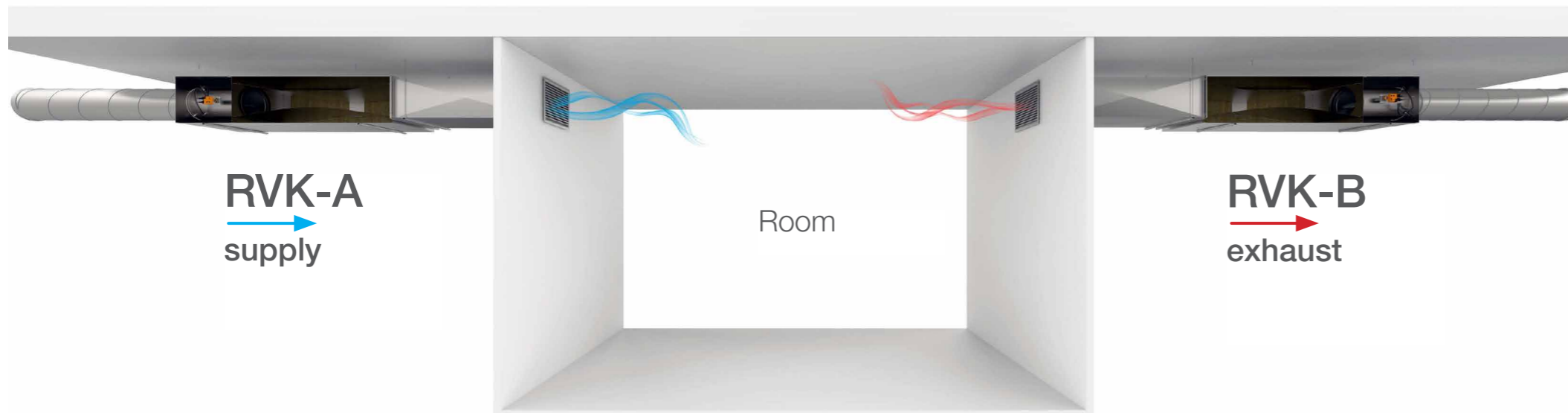


DIMENSIONS

RVK	ØD-2 [mm]	B [mm]	*B1 [mm]	H [mm]	*H1 [mm]	L [mm]	*L1 [mm]	C [mm]	D [mm]	Vmin [m³/h]	Vmax [m³/h]
125	123	304	405	237	338	1035	1036	200	150	54	540
160	158	410	512	237	338	1035	1036	300	150	90	900
200	198	560	662	282	383	1321	1321	460	200	145	1459
250	248	700	801	312	414	1440	1441	600	200	217	2215
315	313	900	1000	442	545	1440	1442	800	250	380	3680
400	398	1000	1101	527	629	1745	1875	900	350	615	6047



*B1, H1, L1 - dimensions of additionally insulated attenuator



- ▼ [Product overview](#)
- ▼ [Ordering key](#)
- ▼ [Accessories](#)
- ▼ [Parametrization](#)
- ▼ [Actuators](#)
- ▼ [Diagrams](#)
- ▼ [Maintenance](#)



ORDERING KEY

AIRFLOW REGULATION

ORDERING KEY

(1) Variable air volume control damper (2) Dimensions (3) Communication type (4) Insulation

RVK-A	-	Ød	-	MP	-	Z
--------------	---	-----------	---	-----------	---	----------

(1) **RVK-A**
RVK-B (4) Insulation **Z**

(2) Dimensions **Ød**

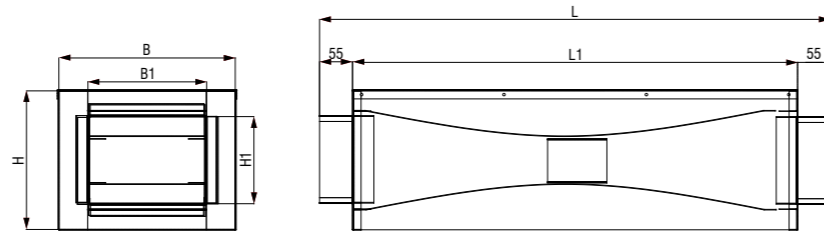
(3) Communication type:

- MP** - Belimo LMV/NMV MP
- MF** - Belimo LMV/NMV MF
- SGB** - Siemens GDB/GLB
- MOD-S** - Siemens GDB/GLB MOD
- MOD/BAC-B** - Belimo LMV/NMV MOD
- KNX-S** - Siemens GDB/GLB KNX
- KNX-B** - Belimo LMV/NMV KNX
- BAC** - Siemens GDB/GLB BAC
- PP** - Gruner 327V
- MOD-G** - Gruner 327 MOD

Accessories

PZS

PZS unit is an additional silencer for reduction of the air regenerated sound power levels. It is specifically designed for use with RVK air terminal unit. Absorption material is non combustable mineral wool. Mineral wool is covered with glass fibre voal to prevent erosion of the particles inside the duct.



Size	L	L1	H	H1	B	B1
ø125	862	750	236	150	300	200
ø160	862	750	236	150	410	300
ø200	1012	900	281	200	560	460
ø250	1012	900	311	200	700	600
ø315	1112	1000	361	250	900	800
ø400	1362	1250	446	350	1000	900

- ▼ [Product overview](#)
- ▼ [Ordering key](#)
- ▼ [Accessories](#)
- ▼ [Parametrization](#)
- ▼ [Actuators](#)
- ▼ [Diagrams](#)
- ▼ [Maintenance](#)

BELIMO Parametrization

Adjustment device ZTH-EU and NFC for products with Belimo volume flow controllers, used to facilitate service and commissioning.

ORDERING KEY: RVPA-ZTH-EU



Gruner GUIV3-M

Adjustment device GUIV3-M for products with Gruner volume flow controllers, used to facilitate service and commissioning.

ORDERING KEY: RVPA-GUIV3-M



Siemens AST20

Adjustment device Type AST20 for products with Siemens volume flow controllers, used to facilitate service and commissioning.

ORDERING KEY: RVPA-AST20



ACCESSORIES

ORDERING KEY PZS

(1) Unit attenuator (2) Dimensions

PZS	-	Ød
------------	---	-----------

(1) PZS

(2) Ød

ORDERING KEY PARAMETRIZATION

(1) Type (2) Built in sensor (3) Protocol

RVPA-GUIV3-M	-	H	-	B
---------------------	---	----------	---	----------

(1) **RVPA-ZTH-EU**
RVPA-GUIV3-M
RVPA-AST20

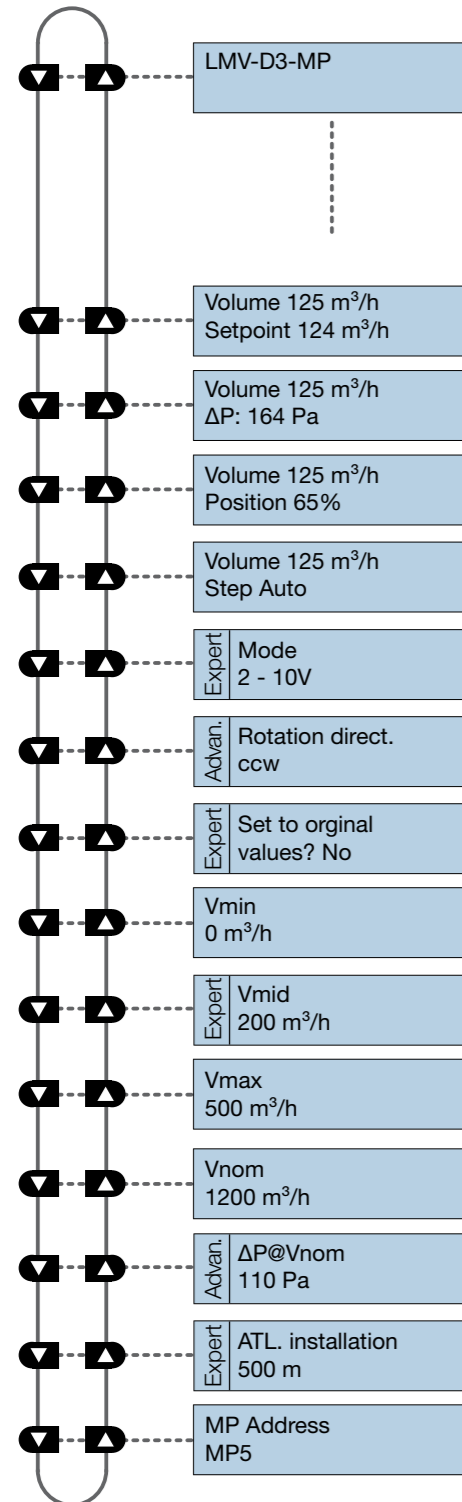
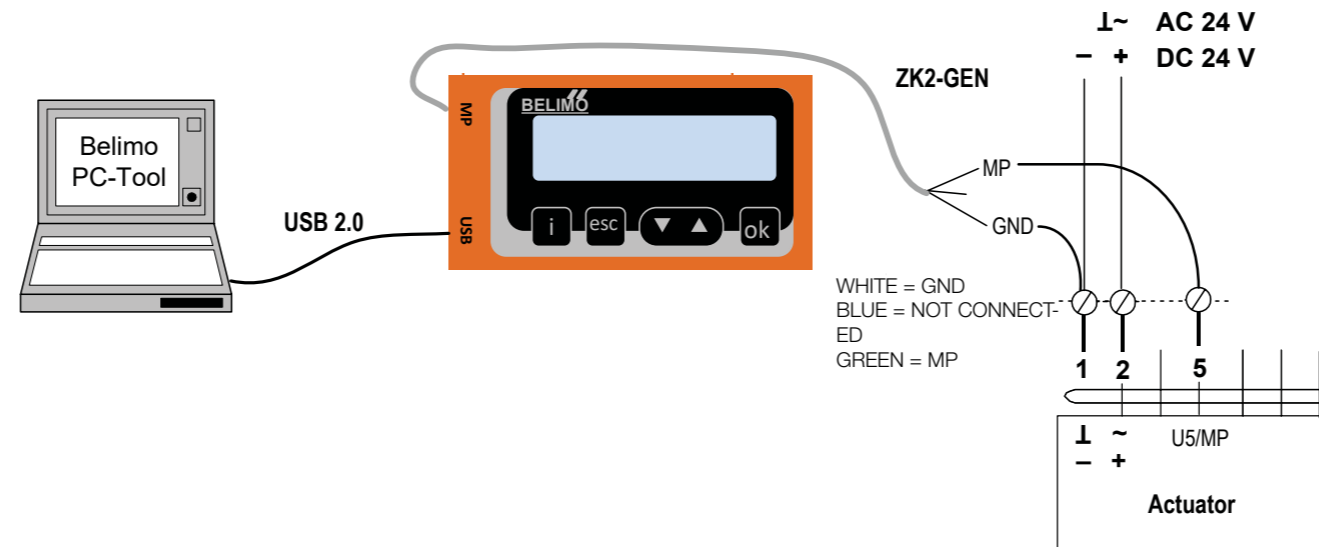
(3) **B/RS** - BACNet

(2) **C** - CO2 sensor
H - Humidity sensor
CH - CO2 and humidity sensor


PARAMETRIZATION

ZTH

Adjustment device ZTH-EU for products with Belimo volume flow controllers, used to facilitate service and commissioning. Service tool for parameterisable and communicative actuators / VAV controllers and HVAC performance devices from Belimo. Connection via service socket on the device or MP/PP connection ZIP USB function.



Instructions

Pressing the buttons , you scroll through the main menu. In order to prepare the selected values (parameters), it is necessary to follow the steps in the picture.

AUTO / OPEN / CLOSE / Min / Mid / Max / Stop

2 - 10V / 0 - 10V (only with MF/MP types)

ccw / cw

No / Yes

0...Vmax

Vmin...Vmax

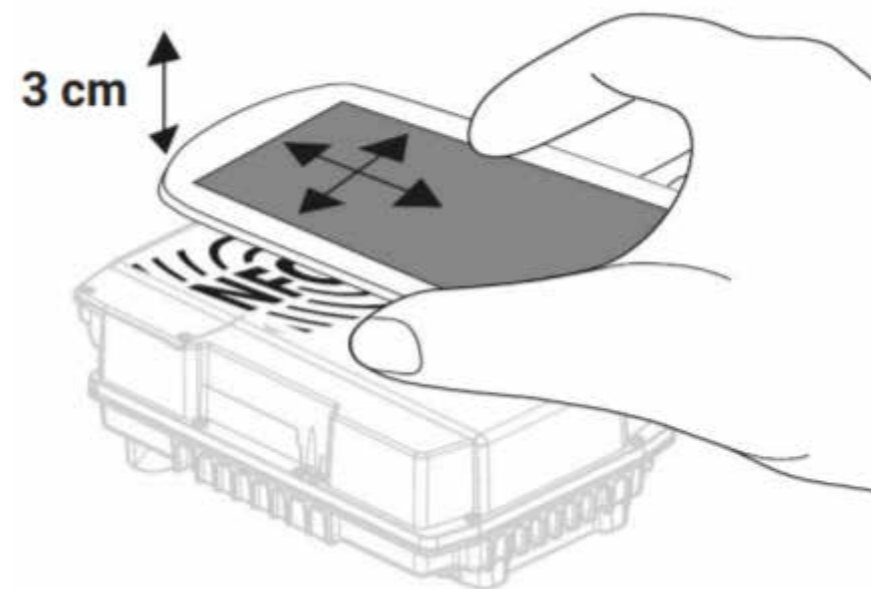
Vmin...Vnom, minimum 20% of Vnom

0...3000 m

PP, MP1...MP8 (on MF types only PP)

- ▶ [Product overview](#)
- ▶ [Ordering key](#)
- ▶ [Accessories](#)
- ▶ [Parametrization](#)
- ▶ [Actuators](#)
- ▶ [Diagrams](#)
- ▶ [Maintenance](#)

↻ PARAMETRIZATION



BELIMO NFC

The integrated NFC interface (Near Field Communication) of the VAV-Compact and VAV-Universal controllers allows you to use the system with your own smartphone – for simple and efficient commissioning and configuration – wirelessly with the Belimo Assistant App.

The ZIP-BT-NFC is available for connection via Bluetooth. For configuration at the VAV unit manufacturer (OEM) or during commissioning for bus addressing, both also in a de-energised state. Simple operational check thanks to the graphical trend analysis.

GUIV3-M

GUIV will start via on/off switch. If GUIV is connected to an actuator, the data will be read out and shown in the display. The control panel is used to set various operating modes, override controls and parameter settings. The GUIV features a micro USB. This allows to use the GUIV as an interface converter between WINVAV2 software and actuator or for loading a battery pack.

Instructions

To perform parameterization, it is necessary to connect the drive with the adjustment device GUIV3-M.

The adjustment device contains a circular button and a confirmation button. With circular button you scroll through the main menu and you can change the values (parameters).

Menu points GUIV3-M

1.Act / Set

Shows actual value / set-point (override function).

2.Min

Adjust the desired min value (set-point $Y = 0 / 2 \text{ V DC}$).

3.Max

Adjust the desired max value (set-point $Y = 10 \text{ V DC}$).

4.Diag

Diagnostic menu:

y/u – shows set-point / feedback signal

off – return to first level

oP – opens the damper

cL – closes the damper

Hi – activates max. value

Lo – activates min. value

bE – activates between value

St – diagnostic mode on, motor off

Adp – adaption drive (only 15 Nm or Modbus version)

123 – software version

5.Mode

0An (0-10 VDC | normal direction of rotation) 2An (2-10

VDC |normal direction of rotation)

2Ai (0-10 VDC | inverse direction of rotation) 2Ai (2-10 VDC |

inverse direction of rotation)

6.Com

Setting the Modbus address (1...247) and communication parameters (if Modbus version).

7.Nom

Volumetric air flow: Shows & setting the nominal value depending on the VAV-Box

Pressure: Setting the correction factor

Settings

327 VAV actuators can be set directly on the display. All 327

VAV actuators can communicate via service connector with

setting tool GUIV3-M or with setting software WIN-VAV2.

GUIV3-S is used as an interface for setting software WIN-VAV2.

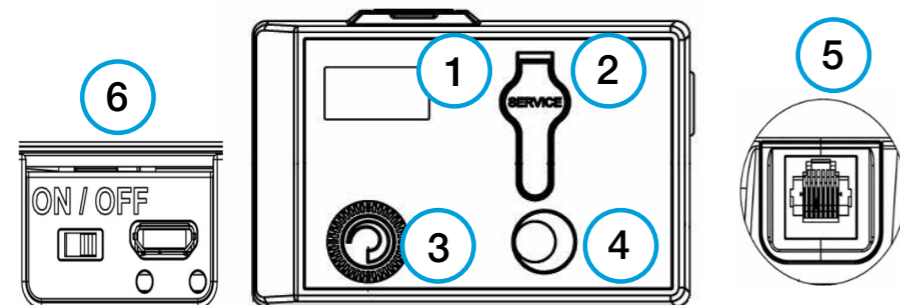
Accessories

GUIV3-M – service connector + handheld tool GUIV3-M

WINVAV2-Bundle – service connector + PC interface GUIV3-S

+

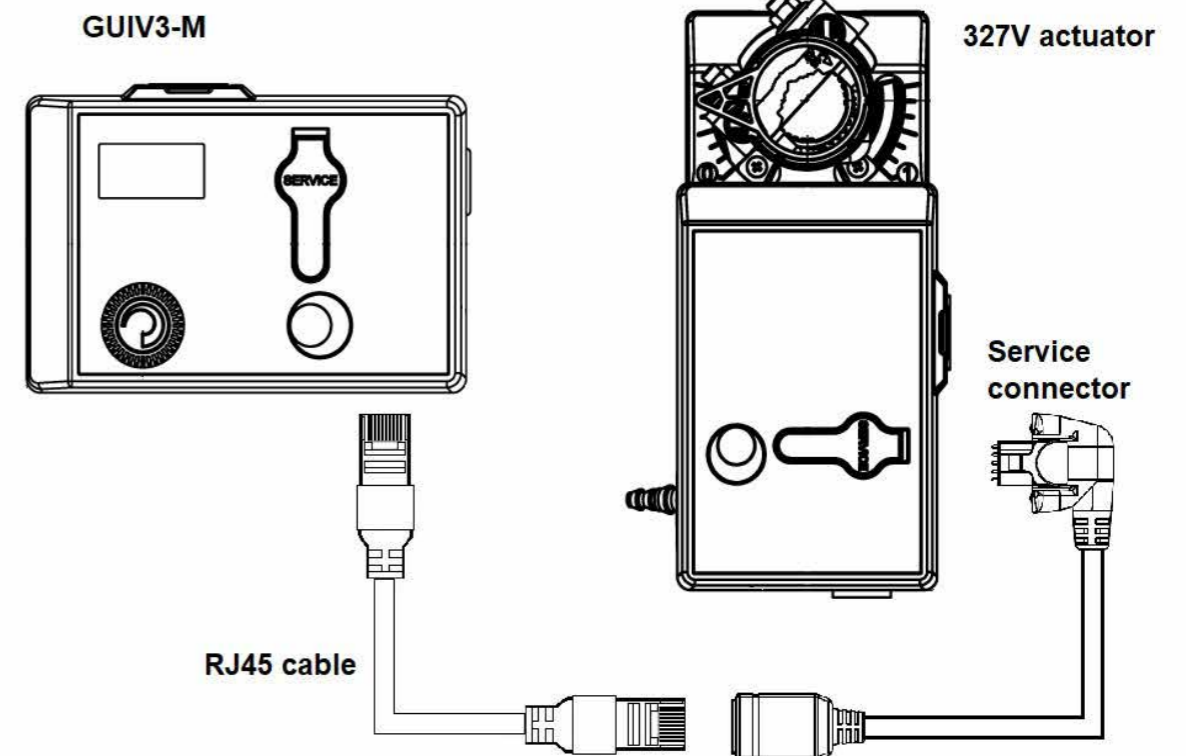
setting software WIN-VAV2.



1. Display
2. Port for service-plug
3. Rotary selector switch
4. LED push button
5. RJ45 socket
6. On/off Switch and Micro-USB Interface

- ▼ [Product overview](#)
- ▼ [Ordering key](#)
- ▼ [Accessories](#)
- ▼ [Parametrization](#)
- ▼ [Actuators](#)
- ▼ [Diagrams](#)
- ▼ [Maintenance](#)

PARAMETRIZATION



AST20

Instructions

Pressing the UP/DOWN buttons, you scroll through the main menu. Button ENTER opens sub menu or allows changing the selected value using UP/DOWN button. The pictures show the way of changing the values (parameters).

AST20 <> VAV Modbus	1/1 SVC
Online view	▶
Field device configuration	▶
Bus configuration	▶
Diagnostics and maintenance	▶
AST20 settings	▶
Mass configuration	▶

Field device configuration	1/2 SVC
Operating mode	VAV mode
Opening dir	CW
Adaptive pos	On
Vn value	2.04
Vmin	10%
Vmax	90%
Vnom	450 m3/h

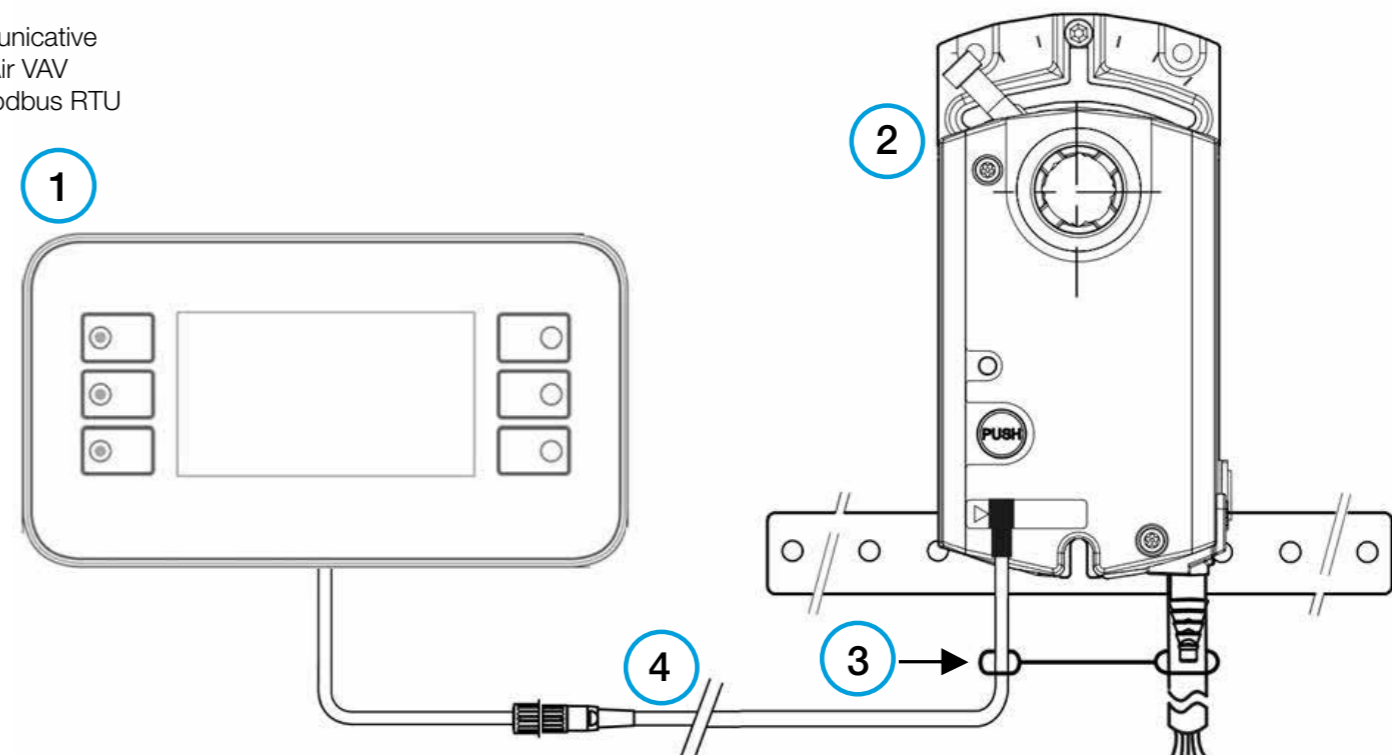
Field device configuration	1/2 SVC
Operating mode	VAV mode
Opening dir	CW
Adaptive pos	On
Vn value	2.04
Vmin	10%
Vmax	90%
Vnom	450 m3/h

Field device configuration	1/2 SVC
Operating mode	VAV mode
Opening dir	CW
Adaptive pos	On
Vn value	2.04
Vmin	10%
Vmax	90%
Vnom	450 m3/h

AST20

1. AST20
2. G..B181.1E/.. , ASV181.1E/3, or G..B111../MO
3. Strain release strip
4. Connection cable (7-pin or 6-pin)

Handheld Tool for VAV Compact Controllers and Communicative Actuators. For configuration and maintenance of OpenAir VAV compact and modular controllers and actuators with Modbus RTU communication



- ▼ [Product overview](#)
- ▼ [Ordering key](#)
- ▼ [Accessories](#)
- ▼ [Parametrization](#)
- ▼ [Actuators](#)
- ▼ [Diagrams](#)
- ▼ [Maintenance](#)

PARAMETRIZATION



Belimo motor drive

- motor drives : Belimo (MP, ModBus/Bacnet, MF, KNX)
- power supply - AC 24V, 50/60 Hz
- DC 24V
- diagnostic socket for service and PC-Tool software

Type	Torque	Energy consumption	Dimensioning	Weight
LMV-D3-MP	5Nm	2W	4VA (max- 8A @ 5ms)	≈ 500g
NMV-D3-MP	10Nm	3W	5VA (max- 8A @ 5ms)	≈ 700g
LMV-D3-MOD/BAC	5Nm	2W	4VA (max- 8A @ 5ms)	≈ 500g
NMV-D3-MOD/BAC	10Nm	3W	5VA (max- 8A @ 5ms)	≈ 700g
LMV-D3-MF	5Nm	2W	4VA (max- 8A @ 5ms)	≈ 500g
LMV-D3-KNX	5Nm	2W	4VA (max- 8A @ 5ms)	≈ 500g
NMV-D3-KNX	10Nm	3W	5VA (max- 8A @ 5ms)	≈ 700g

Control variables

Vnom	specific nominal volume flow, suitable for VAV units
Δp @ Vnom	50...450 Pa
Vmax	20...100%
Vmin	0...100%
Vmid	50% od Vmin do Vmax

Classic control

VAV mod for referent variables Y (connection 3)	- DC 2...10V / (4...20mA with 500 Ω impedance) - DC 0...10V / (0...20mA with 500 Ω impedance) }input impedance min. 100 kOhm - Adjustable DC 0...10V
Actual signal value mod U5 (connection 5)	- DC 2...10V - DC 0...10V } max. 0.5 mA - Adjustable : volume flow, damper position or differential pressure
CAV mode (constant volume flow)	CLOSED / Vmin / Vmid / Vmax / OPEN* (*only with AC 24V supply)

Actuator

Connection	Cable, 4 x 0,75 mm ²
Protection	
Safety class	III Safety extra - low voltage
Level of protection	IP54
Electromagnetic compliance	CE according to 89/336/EEC
Mode	Type 1 (according to EN 60730-1)
Rated power	0,5kV (according to EN 60730-1)
Operating temperature	0...+50 °C
Non operating temperature	-20...+80 °C
Relative humidity	5...95% r.h., no condensation (according to EN 60730-1)
Maintainance	Not required

- [Product overview](#)
- [Ordering key](#)
- [Accessories](#)
- [Parametrization](#)
- [Actuators](#)
- [Diagrams](#)
- [Maintenance](#)



ACTUATORS

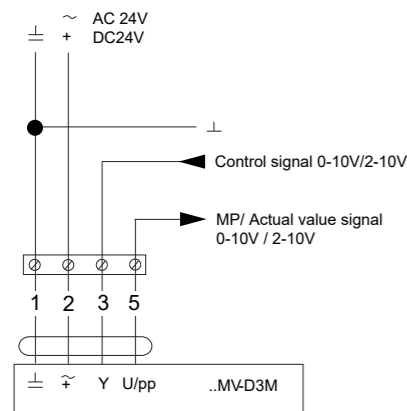
Operation specification:

Rated voltage	DC 15 V (from regulator VRP..)		
Voltage range	DC 13,5...16,5 V		
Mesuring range	0...100 Pa 0...300 Pa 0...600 Pa		
Mesuring principle	Inductive membrane differential presure mesurement		
Output signal	DC 0...10 V (proportional pressure for VRP..)		
Linearity	±1% from extreme value (FS)		
Histeresis	0,1% typ.		
Temperature influence			
zero position	±0,1% / K	±0,05% / K	±0,05% / K
Mesuring range	±0,1% / K t = +10...+40°C (referent temperature to = 5 °C)		
Installation position	Vertical		
Position dependance	Max. ±4,5 Pa za 90° rotation from horizontal		
Electric connection	Cable 1 m , with 4 pole connector		
Protection class	III (safety extra-low voltage) IP4		
Operating temperature	0...+50 °C		
Storage temperature	0...+80 °C		
Humidity test	to EN 60335-1		

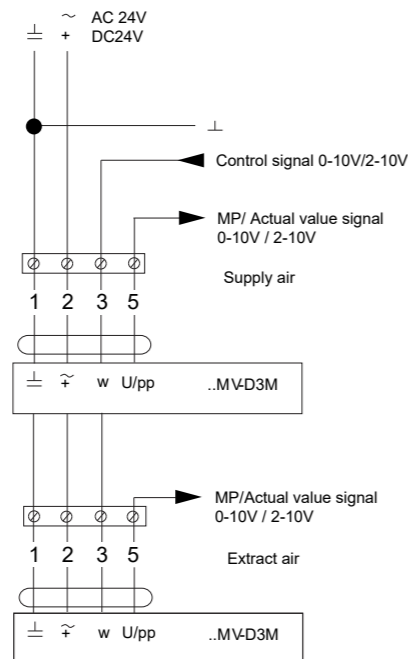
- ▶ [Product overview](#)
- ▶ [Ordering key](#)
- ▶ [Accessories](#)
- ▶ [Parametrization](#)
- ▶ [Actuators](#)
- ▶ [Diagrams](#)
- ▶ [Maintenance](#)

Wiring diagram

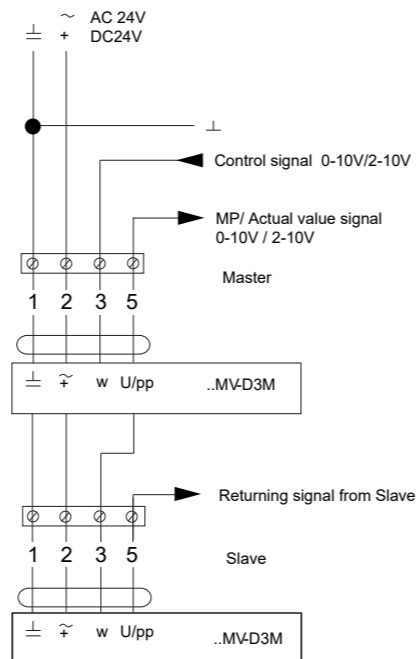
Analogue control signal



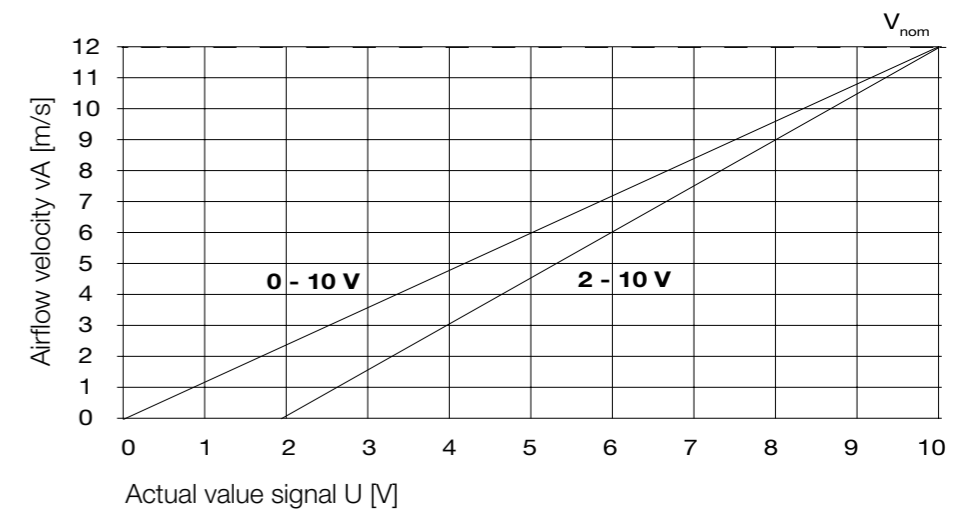
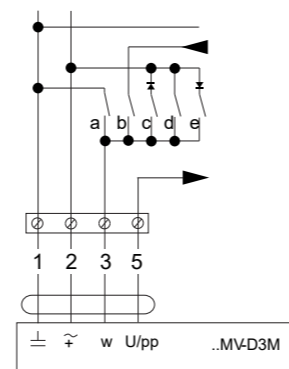
Analogue control signal supply/extract in paralel mode



Analogue control signal master / slave mode



Constant mode:
- Standard 0,1V closing



$$0 - 10 \text{ V} \quad V_{act} = \frac{U_{act} - V_{nom}}{10}$$

$$2 - 10 \text{ V} \quad V_{act} = \frac{U_{act} - 2}{8} * V_{nom}$$



ACTUATORS



Siemens motor drive

- motor drives : Siemens (KNX, ModBus, Bacnet, Analogue)
- power supply: AC 24 V ±20% 50/60 Hz

Type	Torque	Energy consumption	Dimensioning	Weight
GDB181.1E/3	5Nm	2W	4VA (max- 8A @ 5ms)	≈ 500g
GLB181.1E/3	10Nm	3W	5VA (max- 8A @ 5ms)	≈ 700g
GDB181.1E/MO	5Nm	2W	4VA (max- 8A @ 5ms)	≈ 500g
GLB181.1E/MO	10Nm	3W	5VA (max- 8A @ 5ms)	≈ 700g
GDB181.1E/BA	5Nm	2W	4VA (max- 8A @ 5ms)	≈ 500g
GLB181.1E/BA	10Nm	3W	5VA (max- 8A @ 5ms)	≈ 700g
GDB181.1E/KN	5Nm	2W	4VA (max- 8A @ 5ms)	≈ 500g
GLB181.1E/KN	10Nm	3W	5VA (max- 8A @ 5ms)	≈ 700g

- ▼ [Product overview](#)
- ▼ [Ordering key](#)
- ▼ [Accessories](#)
- ▼ [Parametrization](#)
- ▼ [Actuators](#)
- ▼ [Diagrams](#)
- ▼ [Maintenance](#)

Damper actuator

Normal torque	5 Nm (GDB) / 10 Nm (GLB)
Maximum torque	<7 Nm (GDB) / <14 Nm (GLB)
Normal rotation angle / maximum rotation angle	90° / 95° ±2°
Running time for normal rotation angle 90°	150 s (50Hz) / 125 s (60Hz)
Direction of rotation (Adjustable with e.g. ACS941)	Clockwise / Counterclockwise
Signal inputs	
Input voltage	DC 0/2 ... 10 V
Max. perm input volume	DC 35 V
Contact Sensing	
Contact open	DC 30 V contact voltage
Contact closed	DC 0 V, 8 mA contact current
Signal outputs	
Output voltage	DC 0/2 ... 10 V limited to DC 12 V
Max. output current	DC ±1 mA
Time constant (actual value U)	0,05...5 s
Resolution 0.01 S / factory settin 1 s	
Degree of protection and safety class	
Degree of protection acc. to EN 60529 (cf. mounting instructions)	IP54
Safety class acc. to EN 60730	6 x 0.75 mm ²
Enviromental conditions	
Operation / transport	IEC 721-3-3 / IEC 721-3-2
Temperature	0 ... 50 °C / -25...70 °C
Humidity (non-condensing)	<95% r.h. / <95% r.h.



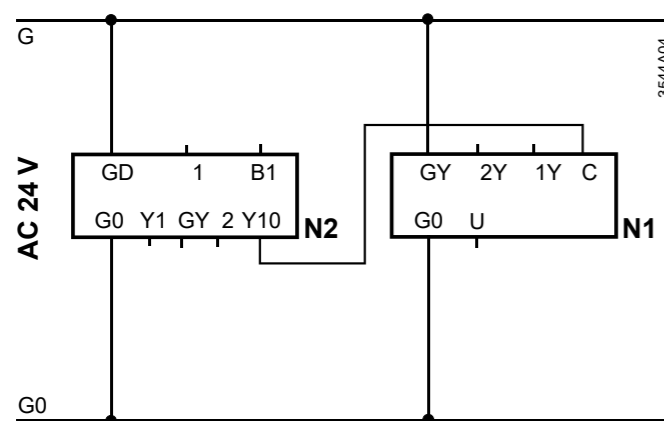
ACTUATORS

Air volume controller	
3-position controller with hysteresis	
V _{max}	20 ... 100%
V _{min}	-20 ... 100%
V _{mid}	0 ... 100%
V _n	1...3.16
Differential pressure sensor	
Connection tubes (inerior diameter)	3 ... 8 mm
Measuring range	0 ... 500 Pa
Operation range	0 ... 300 Pa
Precision at 23°C, 966 mbar and optional mounting position	
Zero point	± 0.2 Pa
Amplitude	± 4.5 of the measured value
Drift	± 0.1 Pa / Year
Max. permissible operation pressure	3000 Pa
Max. permissible overload on one side	3000 Pa
Connection cable	
Cable length	0.9 m
Number of cores and cross-sectional area	6 x 0.75 mm ²

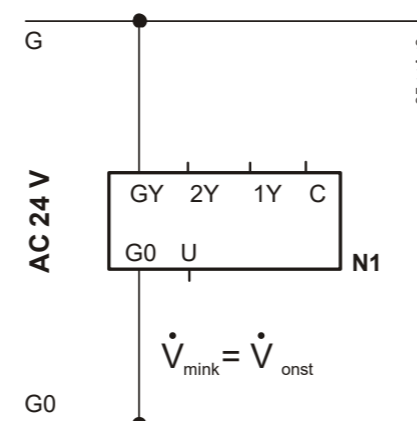
- ▼ [Product overview](#)
- ▼ [Ordering key](#)
- ▼ [Accessories](#)
- ▼ [Parametrization](#)
- ▼ [Actuators](#)
- ▼ [Diagrams](#)
- ▼ [Maintenance](#)

Wiring diagram

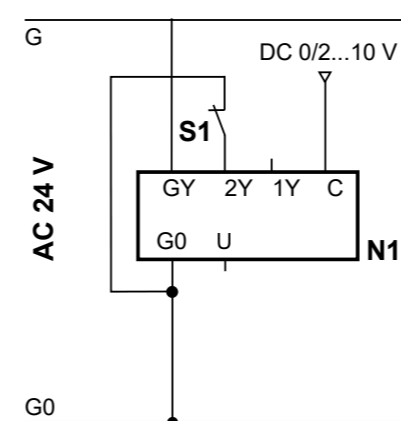
Supply / extract air control in operating mode "con"
 N1 GDB181.1E/3 or GLB181.1E/3
 N2 Supervisory controller, e.g. RCU5.. or RCU6.



Supply / extract air control in operating mode "con"



Complete shutoff in operating mode "con"
 N1 GDB181.1E/3 or GLB181.1E/3
 S1 Window switch (Window closed – switch open)



ACTUATORS



Gruner motor drive

- motor drives : Gruner (327V)
- Running time 100 s / 90°, 150 s / 90°
- Torque 5 -10 - 15 Nm
- Nominal voltage 24 VAC/DC
- Control 3 (EN 60730-1)
- Sensor 250 Pa (dynamic)
- Communication Modbus RTU

- [▼ Product overview](#)
- [▼ Ordering key](#)
- [▼ Accessories](#)
- [▼ Parametrization](#)
- [▼ Actuators](#)
- [▼ Diagrams](#)
- [▼ Maintenance](#)

Damper actuator	
Nominal voltage	24 VAC/DC, 50/60 Hz
Nominal voltage range	19...29 VAC/DC
Power consumption motor (motion)	3 W
Power consumption standby (end position)	2 W
Wire sizing	5,5 VA
Control	Modbus RTU / analog (0)2...10 VDC / Ri > (100 kΩ) 50 kΩ (0)4...20 mA / Rext. = 500 Ω
Feedback signal	Modbus RTU / analog (0)2...10 VDC, max. 0,5 mA
Priority control	close / min / btw / max / open / stop
Connection motor	cable 1000 mm, 4 x 0,75 mm ² (halogen free)

Sensor	
Measuring range - dynamic version	500-1500 Pa
Measuring range - static version	400-600-1000 Pa
Burst pressure	1 bar
Nominal value damper manufacturer specific value	damper manufacturer specific value Vmin / Vbtw / Vmax based on Vnom
Media	air -40°C...85°C / 5...95% r.H., non condensing
Mounting position	independent of position
Connection	tube clip Ø 4-6 mm

Functional data	
Torque	5 -10 - 15 Nm
Synchronised speed	±5%
Direction of rotation	adjustable



Manual override	gear de-clutch with pushbutton, lockable
Angle of rotation	0°...max. 95° can be limited with adjustable mechanical end stops
Running time	5 Nm: 100 s / 90° (adjustable 20...120 s / 90°) 10 & 15 Nm: 150 s / 90° (adjustable 70...420 s / 90°)
Sound power level	< 35 dB(A) @ standard running time
Shaft coupling	universal clamp (Ø 20 mm) or form fit □ 8/10/12 mm
Position indication	mechanical with pointer
Service life	> 100 000 cycles (0°...95°...0°) > 1 500 000 partial cycles (max. ±5°)
Safety	
Protection class	III (safety extra-low voltage)
Degree of protection	IP 42 (cable downwards, tube clip connected) IP 20 (with screw terminals)
EMC	CE (2014/30/EU)
LVD	CE (2014/35/EU)
RoHS	CE (2011/65/EU - 2015/863/EU - 2017/2102/EU)
Mode of operation	Typ 1 (EN 60730-1)
Rated impulse voltage	0,5 kV (EN 60730-1)
Control pollution degree	3 (EN 60730-1)
Ambient temperature normal operation	0°C...+50°C
Storage temperature	-20°C...+80°C
Ambient humidity	5...95% r.H., non condensing (EN 60730-1)
Maintenance	maintenance free
Dimensions	
Dimensions	155 x 67 x 66 mm
Weight	5 Nm: 450 g 10/15 Nm: 550 g

- ▼ [Product overview](#)
- ▼ [Ordering key](#)
- ▼ [Accessories](#)
- ▼ [Parametrization](#)
- ▼ [Actuators](#)
- ▼ [Diagrams](#)
- ▼ [Maintenance](#)

 ACTUATORS

Wiring diagram

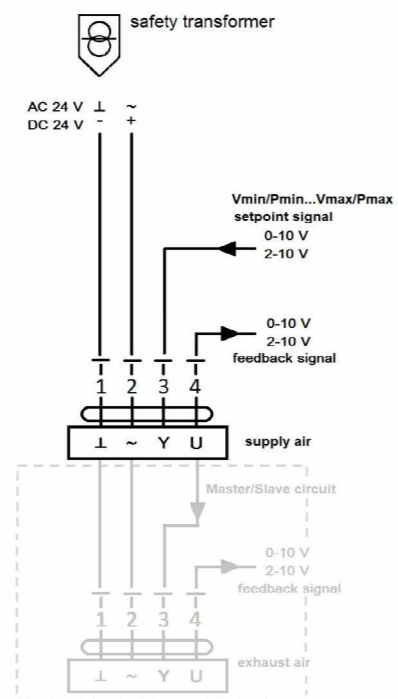
VAV

– variable operation min ... max

-Mode 2-10V:

Damper closed < 0,8 V (adjustable via WIN-VAV2 0,2 V ... 1,8 V)

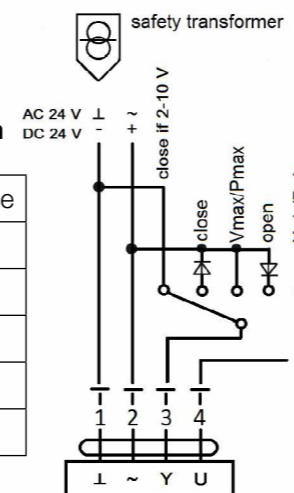
-Master/Slave circuit possible



CAV

– step operation close / min / btw / max / open

Signal/ Function	Min	Max	Btw	Open	Close
Open line	X				
GND (2..10 V)					X
Full wave		X		X	
Pos. Hal-wave				X	
Neg. Hal-wave					X



Sound power level
RVK-A / RVK-A-Z

Size	ø125				ø160				ø200				ø250				ø315				ø400										
V [m³/h]	54	126	216	342	540	90	234	360	612	900	144	393	648	1008	1458	216	612	1008	1692	2214	378	954	1512	2592	3690	612	1602	2556	4500	6048	
pt=125 Pa LW [dB/Okf] fsr [Hz]	63	50	49	47	54	56	50	51	52	55	63	33	39	46	51	59	36	41	47	52	60	35	43	49	57	65	35	43	51	66	72
	125	26	33	44	50	51	33	42	52	54	59	29	38	43	45	54	34	38	42	45	52	36	41	46	47	54	35	42	48	53	63
	250	18	26	35	41	49	24	31	39	49	51	23	28	33	37	46	20	24	28	36	44	28	33	37	38	49	28	31	34	43	45
	500	15	17	18	25	36	15	18	21	30	38	15	15	16	27	38	15	16	17	33	40	15	16	16	25	37	15	19	22	36	42
	1000	15	15	15	16	23	15	15	15	23	33	15	15	15	21	33	15	15	15	28	36	15	15	15	21	34	15	17	19	35	39
	2000	15	15	15	15	15	15	18	21	15	27	15	15	15	15	28	15	15	15	24	33	15	15	15	15	31	15	16	18	30	39
	4000	15	15	15	15	15	15	15	16	15	17	15	15	15	21	15	15	18	21	32	15	15	19	23	29	15	15	17	19	30	37
	8000	16	15	15	15	15	15	15	16	15	16	15	16	15	15	15	15	15	15	25	33	15	20	25	34	34	15	19	23	35	41
	Lw [dB(A)]	26	27	31	37	42	27	30	38	43	47	23	26	30	34	43	24	26	29	38	44	25	30	34	38	45	25	29	34	44	51
pt=250 Pa LW [dB/Okf] fsr [Hz]	63	55	57	51	57	59	53	52	55	58	65	51	47	50	55	64	42	48	50	56	63	41	53	53	60	67	41	51	54	67	78
	125	32	43	47	51	54	45	48	53	56	61	32	41	45	48	56	36	39	45	50	56	37	47	49	52	58	38	48	51	56	65
	250	25	35	37	43	51	29	40	41	52	53	26	34	36	40	49	25	30	33	41	48	31	40	41	43	53	32	37	39	47	50
	500	16	18	22	28	42	17	23	25	33	40	15	20	21	31	40	15	18	22	36	43	15	22	22	30	41	15	21	27	39	45
	1000	15	15	15	19	37	15	15	15	25	35	15	15	15	23	35	15	15	15	31	39	15	15	15	26	37	15	18	24	37	42
	2000	15	15	15	15	33	15	15	15	17	29	15	15	15	17	30	15	15	15	27	36	15	15	15	20	34	15	18	23	33	41
	4000	15	15	15	15	19	15	15	19	17	21	15	15	15	15	24	15	15	15	24	34	15	15	15	27	34	15	20	26	34	41
	8000	19	21	22	19	20	19	20	21	20	22	20	15	15	19	22	18	15	18	28	36	15	25	29	37	38	15	24	30	39	45
	Lw [dB(A)]	30	34	34	39	46	32	36	39	45	49	28	30	32	37	46	26	28	32	40	47	27	35	37	42	49	27	35	38	47	55
pt=500 Pa LW [dB/Okf] fsr [Hz]	63	56	60	53	58	62	55	54	56	60	66	42	55	58	64	46	49	55	59	66	49	52	61	65	72	41	55	58	69	78	
	125	31	41	46	58	60	37	49	54	60	66	33	44	49	53	57	40	44	50	57	60	38	51	58	60	65	43	53	56	61	67
	250	25	36	41	47	55	29	41	45	52	56	29	37	41	47	50	28	37	41	46	52	35	45	49	51	54	37	49	50	52	57
	500	16	23	26	32	38	20	28	34	37	44	19	28	30	34	44	15	26	29	37	46	23	27	33	39	47	24	29	34	40	50
	1000	15	15	15	20	28	15	16	26	28	38	16	15	15	25	39	15	15	22	32	42	17	25	31	37	45	16	26	31	38	49
	2000	15	15	15	15	20	15	15	23	20	33	15	15	15	18	34	15	15	20	28	39	15	22	29	35	42	15	26	30	36	46
	4000	15	15	15	18	18	15	15	21	18	25	15	15	15	15	27	15	15	21	27	36	15	27	30	35	41	20	31	34	39	46
	8000	22	23	22	28	29	19	23	23	27	31	23	22	25	28	31	20	18	26	31	39	22	34	37	42	45	25	35	38	44	50
	Lw [dB(A)]	31	36	36	44	49	31	37	41	47	53	27	34	38	42	48	28	33	38	44	51	31	40	46	49	54	33	43	46	51	58

- [Product overview](#)
- [Ordering key](#)
- [Accessories](#)
- [Parametrization](#)
- [Actuators](#)
- [Diagrams](#)
- [Maintenance](#)



[SolveAir link](#)

DIAGRAMS

Sound power level
RVK-B / RVK-B-Z

Size	ø125				ø160				ø200				ø250				ø315				ø400										
V [m³/h]	54	126	216	342	540	90	234	360	612	900	144	393	648	1008	1458	216	612	1008	1692	2214	378	954	1512	2592	3690	612	1602	2556	4500	6048	
pt=125 Pa LW [dB/Okf] fsr [Hz]	63	50	50	49	51	-	43	42	42	43	-	42	45	49	53	-	42	47	51	47	-	43	50	56	57	-	43	48	52	68	-
	125	35	42	47	48	-	29	40	51	50	-	24	35	46	43	-	24	35	45	42	-	35	45	54	51	-	35	39	44	47	-
	250	26	29	33	38	-	24	30	38	41	-	18	24	29	35	-	20	24	29	30	-	25	32	38	41	-	22	26	30	36	-
	500	15	15	15	21	-	15	18	21	22	-	15	17	19	23	-	15	18	21	27	-	15	20	24	31	-	15	18	21	30	-
	1000	15	15	15	15	-	15	15	15	15	-	15	15	15	22	-	15	15	16	26	-	15	17	20	33	-	15	17	20	30	-
	2000	15	15	15	15	-	15	15	15	15	-	15	15	15	21	-	15	15	16	22	-	15	16	17	22	-	15	17	20	29	-
	4000	15	15	15	15	-	15	15	15	15	-	15	15	15	19	-	15	16	16	18	-	15	18	20	24	-	15	18	22	27	-
	8000	17	16	15	16	-	15	15	15	17	-	15	16	17	28	-	17	18	19	21	-	15	23	31	30	-	17	22	27	32	-
Lw [dB(A)]	27	30	33	35	-	24	28	36	37	-	23	26	32	34	-	24	26	32	32	-	25	32	40	40	-	25	29	33	43	-	
pt=250 Pa LW [dB/Okf] fsr [Hz]	63	51	43	56	57	59	42	47	43	45	46	48	51	51	55	53	47	46	53	51	55	45	49	59	61	65	45	53	55	70	80
	125	39	45	48	51	49	30	49	53	54	49	29	38	46	46	44	29	41	47	47	45	37	50	55	55	49	37	43	48	52	62
	250	30	32	35	41	39	28	36	41	45	41	23	29	32	38	38	24	30	33	36	44	26	37	41	45	42	25	31	35	41	47
	500	17	16	18	25	28	17	23	26	28	31	20	20	23	27	35	19	22	25	31	38	15	22	29	36	43	18	21	26	35	44
	1000	15	15	15	16	25	15	15	15	17	26	15	15	19	25	35	15	17	20	28	34	15	20	25	31	40	16	20	24	34	41
	2000	15	15	15	15	18	15	15	15	15	19	15	15	18	23	32	15	16	20	25	35	15	15	21	26	36	15	19	24	33	42
	4000	15	15	15	15	15	15	15	15	17	16	15	15	18	23	28	15	17	20	23	31	15	17	25	30	36	16	23	27	34	43
	8000	20	19	15	20	22	18	18	18	23	21	17	18	23	31	32	21	22	24	27	33	17	20	33	35	38	22	26	32	38	47
Lw [dB(A)]	29	31	35	38	38	25	35	38	40	37	26	29	33	37	40	26	30	34	36	43	26	36	42	44	47	27	33	37	46	56	
pt=500 Pa LW [dB/Okf] fsr [Hz]	63	54	53	54	56	60	57	44	45	49	56	46	50	56	60	64	46	49	56	61	62	49	66	65	71	72	47	56	61	70	80
	125	39	46	50	58	59	38	50	57	61	65	33	40	47	53	53	31	43	51	56	56	39	51	58	61	61	38	49	54	58	63
	250	27	36	39	48	49	26	41	47	51	51	26	31	36	44	46	28	35	40	45	47	28	39	45	50	52	30	39	42	47	50
	500	15	20	25	31	36	15	29	33	37	42	22	24	29	32	39	23	27	31	37	41	15	31	36	41	47	23	28	31	37	45
	1000	15	15	17	21	26	15	15	18	24	30	19	19	24	28	37	19	21	24	32	36	15	25	29	35	42	20	25	29	35	42
	2000	15	15	15	16	21	15	15	15	18	24	17	17	23	27	34	18	21	24	29	37	15	20	25	29	37	19	24	28	34	42
	4000	15	15	15	16	20	16	15	15	22	26	18	18	25	27	32	19	21	25	31	35	15	24	32	40	45	21	29	36	43	47
	8000	19	19	21	25	30	18	18	22	32	37	24	24	35	37	38	24	25	29	35	38	15	24	33	39	44	26	32	38	44	49
Lw [dB(A)]	30	33	37	44	46	32	37	43	47	50	28	31	38	42	45	29	33	39	44	47	28	42	45	50	53	31	39	44	50	57	

- [Product overview](#)
- [Ordering key](#)
- [Accessories](#)
- [Parametrization](#)
- [Actuators](#)
- [Diagrams](#)
- [Maintenance](#)



[SolveAir link](#)

DIAGRAMS

**Case radiated noise
RVK-A**

Size	ø125				ø160				ø200				ø250				ø315				ø400										
V [m³/h]	54	126	216	342	540	90	234	360	612	900	144	393	648	1008	1458	216	612	1008	1692	2214	378	954	1512	2592	3690	612	1602	2556	4500	6048	
pt=125 Pa LW [dB/Okf] fsr [Hz]	63	15	25	35	41	45	22	29	36	46	48	30	36	42	48	53	25	38	50	50	55	34	42	49	55	61	37	45	52	62	76
	125	28	34	40	45	46	28	34	40	42	46	32	37	41	44	50	31	37	42	47	50	36	39	42	47	51	38	40	42	45	60
	250	26	30	33	39	43	23	29	35	40	46	29	33	37	43	51	29	32	35	37	47	27	32	36	42	49	32	35	37	39	52
	500	26	26	26	31	37	25	26	27	31	38	28	28	27	30	43	26	26	26	29	41	25	26	27	37	39	28	32	36	29	44
	1000	26	24	21	25	29	21	21	21	23	31	20	21	22	25	33	23	22	20	21	28	22	22	21	26	30	25	25	24	26	32
	2000	17	17	17	22	27	15	17	19	23	27	18	20	21	25	32	15	17	19	23	32	15	18	20	28	35	20	23	25	31	38
	4000	15	15	15	16	18	15	15	15	16	22	15	20	25	26	30	15	15	15	19	26	15	15	15	21	29	15	17	18	23	32
	8000	15	17	18	16	19	15	16	16	22	28	15	20	24	25	34	15	15	15	19	28	15	15	15	24	28	15	20	25	23	32
	Lw [dB(A)]	29	29	30	35	39	26	28	31	35	41	28	31	33	37	46	28	29	32	35	43	28	30	32	39	44	31	33	36	39	52
pt=250 Pa LW [dB/Okf] fsr [Hz]	63	27	34	38	42	47	25	34	39	48	51	31	40	46	51	56	28	46	52	54	58	35	49	52	58	64	40	52	56	67	77
	125	31	40	42	46	49	28	38	42	45	49	32	42	44	47	53	33	42	46	51	54	36	44	46	51	55	40	45	47	52	62
	250	27	32	35	40	45	25	34	37	42	48	30	38	41	46	53	32	39	40	44	51	31	38	42	47	53	36	43	43	47	55
	500	26	30	30	33	40	26	30	31	35	42	29	32	33	36	46	30	32	33	37	45	29	33	34	42	44	33	35	35	39	48
	1000	27	27	27	29	34	24	26	27	29	35	25	28	29	31	38	27	28	29	31	35	26	29	29	33	36	30	30	32	34	37
	2000	20	21	23	26	31	18	22	25	28	32	21	24	27	30	36	21	24	26	30	36	20	24	27	33	39	26	28	32	37	41
	4000	15	15	16	21	25	15	15	19	23	28	18	21	27	28	35	15	17	21	27	32	15	20	24	29	35	19	23	27	32	37
	8000	15	16	20	21	25	16	22	22	27	32	22	25	29	30	38	15	19	23	28	34	15	15	20	30	34	15	15	30	30	36
	Lw [dB(A)]	30	32	33	37	42	28	32	35	38	44	31	35	38	41	49	32	35	37	41	47	31	36	38	44	49	35	39	41	46	54
pt=500 Pa LW [dB/Okf] fsr [Hz]	63	20	29	38	46	51	21	35	44	49	55	27	45	49	55	60	36	47	53	58	62	40	50	56	61	68	44	57	59	67	79
	125	35	41	46	50	54	33	41	46	50	54	34	43	48	52	56	36	46	51	56	59	38	49	53	58	62	42	53	56	59	63
	250	28	36	40	43	46	28	37	41	46	51	34	41	46	50	54	35	44	47	51	55	38	46	50	55	57	42	52	55	55	58
	500	27	34	37	40	43	28	35	38	42	47	36	40	42	44	51	34	41	42	44	50	37	42	45	48	51	39	46	47	48	51
	1000	28	32	34	36	38	29	33	35	37	40	33	36	37	39	43	33	36	37	39	42	34	38	40	42	43	37	39	41	42	42
	2000	25	29	31	33	34	28	31	32	35	36	30	32	34	37	40	31	33	35	38	40	32	35	38	41	42	36	39	40	42	44
	4000	24	26	27	29	32	24	27	28	32	35	26	29	32	35	40	26	29	32	36	40	28	33	36	40	43	32	38	40	43	46
	8000	22	23	25	27	29	24	27	29	32	35	26	30	33	37	42	23	27	32	37	41	22	29	33	37	39	22	30	31	31	36
	Lw [dB(A)]	33	37	40	43	45	34	39	41	44	48	38	42	44	47	52	38	43	45	48	52	40	45	48	52	54	43	49	51	52	57

- [Product overview](#)
- [Ordering key](#)
- [Accessories](#)
- [Parametrization](#)
- [Actuators](#)
- [Diagrams](#)
- [Maintenance](#)



[SolveAir link](#)

DIAGRAMS

Case radiated noise
RVK-B

Size	ø125					ø160					ø200					ø250					ø315					ø400					
V [m³/h]	54	126	216	342	540	90	234	360	612	900	144	393	648	1008	1458	216	612	1008	1692	2214	378	954	1512	2592	3690	612	1602	2556	4500	6048	
pt=125 Pa LW [dB/Okf] fsr [Hz]	63	15	22	29	37	-	17	29	40	45	-	26	36	46	45	-	23	36	48	46	-	27	40	52	58	-	29	38	47	60	-
	125	22	31	40	43	-	24	33	42	45	-	31	38	45	44	-	32	40	47	45	-	31	37	42	48	-	28	33	37	46	-
	250	15	25	34	39	-	16	24	31	35	-	22	26	30	36	-	15	22	29	29	-	16	23	29	37	-	15	22	29	42	-
	500	16	22	27	32	-	15	20	25	30	-	15	19	23	28	-	15	18	21	25	-	15	20	24	31	-	15	21	26	34	-
	1000	15	19	22	26	-	15	18	20	25	-	15	18	21	25	-	15	15	15	26	-	15	20	24	31	-	15	22	28	33	-
	2000	15	20	24	28	-	15	19	23	27	-	15	20	24	29	-	15	21	26	32	-	16	23	29	34	-	15	25	34	37	-
	4000	15	19	23	27	-	15	18	21	25	-	15	18	21	26	-	15	17	19	24	-	15	19	23	30	-	15	23	31	36	-
	8000	15	21	26	28	-	15	19	22	29	-	15	17	19	29	-	15	21	26	26	-	16	22	27	33	-	15	22	29	38	-
Lw [dB(A)]	22	27	33	37	-	22	26	31	36	-	23	28	33	36	-	23	28	34	36	-	23	29	35	41	-	22	30	38	44	-	
pt=250 Pa LW [dB/Okf] fsr [Hz]	63	15	24	34	40	45	23	36	42	47	48	32	42	47	48	48	25	43	50	50	50	28	47	54	60	64	32	45	50	63	52
	125	26	36	41	45	48	29	39	43	47	50	34	41	46	48	46	32	45	48	48	45	31	40	44	50	54	30	37	42	50	48
	250	18	29	35	40	43	20	29	34	38	42	24	30	34	39	42	15	29	33	38	47	15	29	34	42	48	20	32	36	47	71
	500	15	22	30	35	40	15	24	28	33	38	18	24	28	32	39	15	21	27	33	40	16	25	30	36	43	20	28	33	40	58
	1000	15	21	26	29	32	15	21	24	28	32	17	22	26	29	32	15	15	16	31	32	15	25	29	35	38	22	28	33	38	50
	2000	19	22	28	32	34	15	22	27	31	33	19	22	28	32	33	15	24	30	34	32	15	28	33	38	40	22	32	38	41	47
	4000	15	22	27	31	31	15	20	25	29	32	16	21	26	31	31	15	17	25	29	26	15	23	28	34	37	19	30	36	41	44
	8000	20	26	30	32	33	19	24	27	32	34	20	23	26	33	32	15	20	30	31	29	15	26	31	37	39	18	28	34	42	42
Lw [dB(A)]	25	31	36	40	42	23	30	35	39	42	26	31	36	40	42	23	32	37	40	42	23	34	39	44	48	28	37	43	48	64	
pt=500 Pa LW [dB/Okf] fsr [Hz]	63	27	38	42	45	48	24	36	42	49	55	22	42	51	55	61	32	47	56	59	59	39	50	55	60	62	44	51	56	64	45
	125	24	38	45	50	53	28	39	45	51	56	31	43	48	52	53	33	45	52	55	56	34	44	48	53	55	35	43	49	52	41
	250	24	32	37	42	46	22	32	37	42	47	25	34	39	45	48	15	33	39	45	50	19	37	43	48	52	30	42	46	49	72
	500	23	29	32	35	41	20	27	31	37	42	22	29	33	37	44	15	29	34	41	44	18	32	38	42	46	26	36	39	44	58
	1000	23	27	29	32	35	20	26	29	33	36	20	26	30	34	38	18	27	31	37	41	24	31	35	40	43	28	34	37	43	53
	2000	23	29	33	36	38	22	28	32	36	39	21	26	32	36	39	18	29	34	38	41	25	34	38	42	44	32	38	40	45	48
	4000	22	28	30	33	38	20	26	30	34	39	19	26	32	38	44	15	26	33	39	43	20	33	38	44	45	29	40	43	49	46
	8000	25	30	32	34	37	24	28	31	36	40	23	28	34	38	43	15	24	33	37	40	20	31	37	42	44	28	39	40	47	47
Lw [dB(A)]	30	36	39	42	46	29	35	39	43	48	28	35	40	45	50	25	36	42	47	50	30	40	45	50	52	37	45	48	54	65	

- [Product overview](#)
- [Ordering key](#)
- [Accessories](#)
- [Parametrization](#)
- [Actuators](#)
- [Diagrams](#)
- [Maintenance](#)



[SolveAir link](#)



DIAGRAMS

Case radiated noise
RVK-A-Z

Size	ø125				ø160				ø200				ø250				ø315				ø400										
V [m³/h]	54	126	216	342	540	90	234	360	612	900	144	393	648	1008	1458	216	612	1008	1692	2214	378	954	1512	2592	3690	612	1602	2556	4500	6048	
pt=125 Pa LW [dB/Okf] fsr [Hz]	63	16	25	33	39	43	15	25	34	44	46	23	32	40	46	51	23	36	48	48	53	31	39	46	52	58	36	43	50	58	70
	125	19	25	31	36	37	20	27	34	36	40	28	33	38	41	47	26	32	37	42	45	30	33	36	41	45	32	34	36	39	54
	250	19	23	26	32	36	17	23	29	34	40	21	26	30	36	44	21	24	27	29	39	18	23	27	33	40	22	25	27	29	42
	500	16	16	16	21	27	16	17	18	22	29	17	17	16	19	32	18	17	16	19	31	15	16	16	26	28	16	16	15	17	32
	1000	15	15	15	15	17	15	15	15	15	18	15	15	15	15	19	15	15	15	15	16	15	15	15	15	19	16	16	15	17	23
	2000	15	15	15	15	15	15	15	15	15	15	15	15	15	15	19	15	15	15	15	20	15	15	15	15	20	15	16	16	22	29
	4000	15	15	15	15	15	15	15	15	15	15	15	15	15	15	16	15	15	15	15	15	15	15	15	15	19	15	15	15	15	24
	8000	15	15	15	15	15	15	15	15	15	15	15	15	15	15	20	15	15	15	15	16	16	16	16	15	15	18	15	16	17	16
Lw [dB(A)]	22	23	24	27	30	22	23	25	29	34	23	24	27	31	38	23	24	27	29	35	23	24	26	31	37	24	25	28	33	45	
pt=250 Pa LW [dB/Okf] fsr [Hz]	63	25	32	36	40	45	23	32	37	46	49	29	38	44	49	54	26	44	50	52	56	32	14	49	55	61	38	49	53	64	74
	125	22	31	33	37	40	22	32	36	39	43	29	39	41	44	50	28	37	41	46	49	30	38	40	45	49	34	39	41	46	56
	250	20	25	28	33	38	19	28	31	36	42	23	31	34	39	46	24	31	32	36	43	22	29	33	38	44	26	33	33	37	45
	500	16	20	20	23	15	17	21	22	26	33	19	21	22	25	35	21	22	23	27	35	18	22	23	31	33	21	23	23	27	36
	1000	15	15	15	17	22	15	15	15	16	22	15	15	15	17	24	16	16	17	19	23	15	18	18	22	25	21	21	23	25	28
	2000	15	15	15	15	18	15	15	15	16	20	15	15	15	17	23	15	15	15	18	24	15	15	16	22	28	17	19	23	28	32
	4000	15	15	15	15	15	15	15	15	15	15	15	15	15	15	20	15	15	15	15	19	15	15	15	19	15	15	15	19	24	29
	8000	15	15	15	15	15	15	15	15	15	18	15	15	15	15	16	24	15	15	15	16	22	15	15	15	20	25	15	15	22	22
Lw [dB(A)]	22	24	25	28	32	22	25	27	31	36	24	28	30	34	40	24	28	30	34	39	23	27	30	36	40	27	30	33	40	49	
pt=500 Pa LW [dB/Okf] fsr [Hz]	63	18	27	36	44	49	19	33	42	47	53	25	43	47	53	58	34	45	51	56	60	37	47	53	58	65	41	54	56	64	76
	125	26	32	37	41	45	27	35	40	44	48	31	40	45	49	53	31	41	46	51	54	32	43	47	52	56	36	47	50	53	57
	250	21	29	33	36	39	22	31	35	40	45	27	34	39	43	47	27	36	39	43	47	29	37	41	46	48	32	42	45	45	48
	500	17	24	27	30	33	19	26	29	33	38	25	29	31	33	40	24	31	32	34	40	26	31	34	37	40	27	34	35	36	39
	1000	16	20	22	24	26	16	20	22	24	27	19	22	23	25	29	21	24	25	27	30	23	27	29	31	32	15	30	32	33	33
	2000	15	16	18	20	21	16	19	20	23	24	17	19	21	24	27	19	21	23	26	28	21	24	27	30	31	15	30	31	33	35
	4000	15	15	15	15	17	15	15	15	17	20	15	15	17	20	25	15	16	19	23	27	18	23	26	30	33	24	30	32	35	38
	8000	15	15	15	15	15	15	15	15	18	21	15	16	19	23	28	15	15	20	25	29	15	19	23	27	29	15	22	27	23	28
Lw [dB(A)]	23	27	30	33	36	24	29	32	36	40	27	31	35	38	43	27	33	36	40	44	29	35	38	42	46	30	40	42	44	51	

- [Product overview](#)
- [Ordering key](#)
- [Accessories](#)
- [Parametrization](#)
- [Actuators](#)
- [Diagrams](#)
- [Maintenance](#)



[SolveAir link](#)

DIAGRAMS

Case radiated noise
RVK-B-Z

Size	ø125				ø160				ø200				ø250				ø315				ø400											
V [m³/h]	54	126	216	342	540	90	234	360	612	900	144	393	648	1008	1458	216	612	1008	1692	2214	378	954	1512	2592	3690	612	1602	2556	4500	6048		
pt=125 Pa	LW [dB/Okf]	63	15	23	31	38	-	21	31	40	45	-	30	38	45	46	-	22	35	48	48	-	28	41	53	59	-	31	40	48	61	-
	fsr [Hz]	125	19	27	35	40	-	23	30	37	41	-	29	35	41	43	-	26	35	43	44	-	27	34	40	46	-	26	32	37	45	-
	LW [dB/Okf]	250	15	22	29	35	-	15	22	29	33	-	20	25	29	35	-	15	22	28	32	-	15	23	30	38	-	16	24	31	42	-
	fsr [Hz]	500	15	19	23	29	-	15	19	22	27	-	15	19	22	27	-	15	18	21	26	-	15	20	25	31	-	15	21	27	32	-
	LW [dB/Okf]	1000	15	19	22	26	-	15	18	20	24	-	15	18	21	25	-	15	15	15	27	-	15	20	25	31	-	18	24	29	33	-
	fsr [Hz]	2000	15	19	23	27	-	15	19	22	26	-	15	19	22	27	-	15	20	24	30	-	15	21	27	32	-	15	23	31	34	-
	LW [dB/Okf]	4000	15	19	22	26	-	15	18	20	24	-	15	18	20	26	-	15	17	19	25	-	15	19	22	28	-	15	23	30	35	-
	fsr [Hz]	8000	15	20	25	27	-	15	19	22	27	-	15	18	20	28	-	15	20	25	27	-	15	21	26	32	-	15	22	28	36	-
	Lw [dB(A)]	22	26	31	35	-	22	26	29	34	-	23	27	30	35	-	22	26	32	36	-	22	28	34	40	-	23	30	37	43	-	
pt=250 Pa	LW [dB/Okf]	63	15	21	31	37	42	21	34	40	45	46	30	40	45	46	46	23	41	48	48	48	27	46	53	59	63	31	44	49	62	70
	fsr [Hz]	125	20	30	35	39	42	23	33	37	41	44	29	36	41	43	41	27	40	43	43	40	27	36	40	46	50	26	33	38	46	54
	LW [dB/Okf]	250	15	23	29	34	37	15	24	29	33	37	20	29	30	35	38	15	25	29	34	43	15	25	30	38	44	16	28	32	43	46
	fsr [Hz]	500	15	15	23	28	33	15	18	22	27	32	15	19	23	27	34	15	16	22	28	35	15	20	25	31	38	15	23	28	35	42
	LW [dB/Okf]	1000	15	17	22	25	28	15	17	20	24	28	15	18	22	25	28	15	15	15	27	28	15	21	25	31	34	18	24	29	34	40
	fsr [Hz]	2000	15	17	23	27	29	15	17	22	26	15	15	17	23	27	28	15	19	25	29	27	15	22	27	32	34	15	25	31	34	35
	LW [dB/Okf]	4000	15	17	22	26	26	15	15	20	24	27	15	16	21	26	26	15	15	20	24	21	15	17	22	28	31	15	24	30	35	37
	fsr [Hz]	8000	15	21	25	27	28	15	19	22	27	29	15	18	21	28	27	15	15	25	26	24	15	21	26	32	34	15	23	29	37	41
	Lw [dB(A)]	22	25	31	34	37	22	25	29	34	36	23	27	31	35	37	22	27	32	35	38	22	29	34	40	44	23	32	37	44	49	
pt=500 Pa	LW [dB/Okf]	63	24	35	39	42	45	22	34	40	47	53	20	40	49	53	59	38	45	54	57	57	38	49	54	59	61	43	50	55	63	71
	fsr [Hz]	125	18	32	39	44	47	22	33	39	45	50	26	38	43	47	48	28	40	47	50	51	30	40	44	49	51	31	39	45	48	54
	LW [dB/Okf]	250	18	26	31	36	40	17	27	32	37	42	21	30	35	41	44	15	29	35	41	46	15	33	39	44	48	26	38	42	45	49
	fsr [Hz]	500	16	22	25	28	34	15	21	25	31	36	17	24	28	32	39	15	24	29	36	39	15	27	33	37	41	21	31	34	39	43
	LW [dB/Okf]	1000	19	23	25	28	31	16	22	25	29	32	16	22	26	30	34	15	23	27	33	37	20	27	31	36	39	24	30	33	39	42
	fsr [Hz]	2000	18	24	28	31	33	17	23	27	31	34	16	21	27	31	34	15	24	29	33	36	19	28	32	36	38	25	31	33	38	40
	LW [dB/Okf]	4000	17	23	25	28	33	15	21	25	29	34	15	21	27	33	39	15	21	28	34	38	15	28	32	38	39	23	34	37	43	45
	fsr [Hz]	8000	20	25	27	29	32	19	23	26	31	35	18	23	29	33	38	15	19	28	32	35	15	27	32	37	39	23	34	35	42	45
	Lw [dB(A)]	25	31	34	37	41	24	30	34	38	42	24	30	36	40	45	23	31	37	42	45	25	35	40	45	47	31	40	43	48	52	

- [Product overview](#)
- [Ordering key](#)
- [Accessories](#)
- [Parametrization](#)
- [Actuators](#)
- [Diagrams](#)
- [Maintenance](#)



[SolveAir link](#)

DIAGRAMS

Sound power levels with additional attenuator PZS

Size	ø125				ø160				ø200				ø250				ø315				ø400												
V [m³/h]	54	126	216	342	540	90	234	360	612	900	144	393	648	1008	1458	216	612	1008	1692	2214	378	954	1512	2592	3690	612	1602	2556	4500	6048			
pt=125 Pa	LW [dB/Okf] fsr [Hz]	63	49	47	45	51	52	48	49	50	52	60	34	39	44	49	58	34	40	45	50	58	33	40	47	55	63	32	41	49	64	73	
		125	22	31	40	45	48	27	38	48	50	55	25	32	39	41	50	30	34	38	41	48	32	37	42	43	50	31	38	44	49	59	
		250	15	23	30	36	44	17	25	32	43	44	15	20	25	29	39	15	17	18	26	34	19	24	28	29	40	19	22	25	34	36	
		500	15	15	15	15	26	15	15	15	17	23	15	15	15	18	27	15	15	15	20	27	15	15	15	15	24	15	15	15	27	32	
		1000	15	15	15	15	21	15	15	15	15	18	15	15	15	15	17	15	15	15	15	23	15	15	15	15	21	15	15	15	25	29	
		2000	15	15	15	15	17	15	15	15	15	15	15	15	15	15	15	15	15	15	15	18	15	15	15	15	16	19	15	15	20	29	
		4000	15	15	15	15	15	15	15	15	15	15	15	15	15	15	15	15	15	15	15	18	15	15	15	15	19	15	15	15	23	30	
		8000	15	15	15	15	15	15	15	15	15	15	15	15	15	15	15	15	15	15	17	25	15	17	19	28	28	15	17	19	31	37	
		Lw [dB(A)]	25	25	28	33	38	25	27	33	38	41	22	24	27	29	37	23	24	26	29	36	23	25	29	33	40	23	26	30	40	49	
pt=250 Pa	LW [dB/Okf] fsr [Hz]	63	53	55	49	54	57	51	50	53	55	63	49	45	48	53	61	40	46	48	54	61	39	51	51	58	65	39	49	52	65	76	
		125	29	39	43	47	50	41	44	49	52	57	28	37	41	44	52	32	35	41	46	52	33	43	45	48	54	34	44	47	52	61	
		250	21	30	32	38	46	22	33	34	45	46	18	26	28	32	41	16	21	23	31	38	22	31	32	34	44	23	28	30	38	41	
		500	15	15	16	16	27	15	15	15	19	25	15	15	15	21	29	15	15	15	22	28	15	15	15	18	28	15	15	18	29	35	
		1000	15	15	15	15	22	15	15	15	15	20	15	15	15	15	21	15	15	15	17	24	15	15	15	15	25	15	15	15	27	32	
		2000	15	15	15	15	19	15	15	15	15	16	15	15	15	15	15	15	15	15	15	21	15	15	15	15	22	15	15	15	23	31	
		4000	15	15	15	15	15	15	15	15	15	15	15	15	15	15	15	15	15	15	15	20	15	15	15	15	23	15	15	20	15	15	
		8000	15	15	15	15	15	15	15	16	15	17	15	15	15	15	15	15	15	15	20	28	15	20	23	31	32	15	20	26	35	41	
		Lw [dB(A)]	28	31	30	35	40	29	31	35	40	44	26	26	28	32	40	23	25	28	33	40	24	31	32	37	43	24	30	34	42	52	
pt=500 Pa	LW [dB/Okf] fsr [Hz]	63	54	58	51	55	58	53	52	54	58	64	40	53	56	56	62	44	47	53	57	64	47	50	59	63	70	39	53	56	67	76	
		125	28	37	42	54	55	33	45	50	56	62	29	40	45	49	53	36	40	46	53	56	34	47	54	56	61	39	49	52	57	63	
		250	21	31	36	42	49	22	34	38	45	49	21	29	33	39	43	18	27	31	37	44	26	36	40	42	46	28	40	41	43	48	
		500	15	15	16	19	28	15	15	20	23	30	15	18	20	24	35	15	15	16	28	37	15	15	20	29	39	15	19	24	31	41	
		1000	15	15	15	15	23	15	15	15	15	25	15	15	15	15	29	15	15	15	23	33	15	15	19	26	35	15	17	21	26	40	
		2000	15	15	15	15	18	15	15	15	15	20	15	15	15	15	23	15	15	15	18	29	15	15	17	23	31	15	17	20	27	36	
		4000	15	15	15	15	15	15	15	15	15	15	15	15	15	15	17	15	15	15	15	24	15	17	19	24	31	15	24	37	32	36	
		8000	15	16	15	20	21	15	18	18	21	25	15	15	15	15	18	15	15	15	19	23	31	16	28	31	36	39	21	31	34	40	46
		Lw [dB(A)]	29	33	31	40	43	28	32	36	42	48	23	30	33	36	42	25	28	33	39	44	26	34	40	43	49	27	37	42	46	53	

- [Product overview](#)
- [Ordering key](#)
- [Accessories](#)
- [Parametrization](#)
- [Actuators](#)
- [Diagrams](#)
- [Maintenance](#)



[SolveAir link](#)

DIAGRAMS

Case radiated noise with additional attenuator RVK-B/RVK-B-Z + PZS

Size	ø125				ø160				ø200				ø250				ø315				ø400											
V [m³/h]	54	126	216	342	540	90	234	360	612	900	144	393	648	1008	1458	216	612	1008	1692	2214	378	954	1512	2592	3690	612	1602	2556	4500	6048		
pt=125 Pa LW [dB/Okf] fsr [Hz]	63	46	48	50	48	-	32	36	40	41	-	40	44	47	51	-	38	44	49	45	-	41	48	54	55	-	41	46	50	65	-	
	125	32	38	43	44	-	26	37	47	46	-	21	31	41	39	-	20	31	42	38	-	31	41	50	47	-	31	36	40	43	-	
	250	22	25	28	33	-	18	25	31	34	-	15	19	22	30	-	15	19	22	32	-	17	24	30	36	-	15	20	24	34	-	
	500	15	15	15	19	-	15	15	15	18	-	15	15	15	25	-	15	16	16	28	-	15	16	17	31	-	15	16	17	30	-	
	1000	15	15	15	15	-	15	15	15	15	-	15	15	15	17	-	15	15	15	22	-	15	15	15	29	-	15	15	15	27	-	
	2000	15	15	15	15	-	15	15	15	15	-	15	15	15	15	-	15	15	15	19	-	15	15	15	22	-	15	15	15	16	-	
	4000	15	15	15	15	-	15	15	15	15	-	15	15	15	15	-	15	15	15	15	-	15	15	15	15	-	15	15	15	20	-	
	8000	15	15	15	15	-	15	15	15	15	-	15	15	15	16	-	15	15	15	15	-	15	20	25	24	-	15	19	23	28	-	
	Lw [dB(A)]	25	22	30	31	-	22	22	32	32	-	23	22	28	30	-	22	22	29	30	-	23	23	36	36	-	23	23	29	40	-	
pt=250 Pa LW [dB/Okf] fsr [Hz]	63	49	52	54	55	57	40	41	41	43	44	46	48	49	53	51	45	48	51	49	53	43	50	57	59	63	43	48	53	68	78	
	125	35	40	44	47	45	27	38	49	50	45	26	34	42	42	42	25	34	43	43	44	33	42	51	51	47	33	39	44	48	58	
	250	25	28	30	36	36	22	28	34	38	36	17	21	25	32	38	16	21	25	35	43	18	26	33	39	45	17	23	28	38	45	
	500	15	16	16	22	32	15	15	15	21	31	15	15	15	26	38	15	17	18	33	42	15	18	21	35	44	15	18	20	34	43	
	1000	15	15	15	17	29	15	15	15	15	26	15	15	15	20	33	15	15	15	28	38	15	16	16	30	41	15	15	15	29	39	
	2000	15	15	15	15	22	15	15	15	15	19	15	15	15	15	27	15	15	15	21	32	15	15	15	23	36	15	15	15	25	35	
	4000	15	15	15	15	15	15	15	15	15	15	15	15	15	15	18	15	15	15	15	24	15	15	15	20	29	15	18	20	27	36	
	8000	15	15	15	15	15	15	15	15	15	18	16	15	15	15	18	19	15	16	17	20	25	15	21	27	29	32	19	24	28	34	43
	Lw [dB(A)]	27	23	32	34	36	23	23	34	36	34	24	22	29	32	39	24	22	30	35	43	24	24	37	40	46	25	25	33	44	53	
pt=500 Pa LW [dB/Okf] fsr [Hz]	63	52	52	52	54	58	55	49	43	47	54	44	49	54	58	62	44	49	54	59	60	47	55	63	69	70	45	52	59	68	78	
	125	35	41	46	54	55	34	44	53	57	61	29	36	43	49	49	27	37	47	52	52	35	45	54	57	57	34	42	50	54	59	
	250	23	29	34	43	44	20	30	40	44	44	19	24	28	37	41	19	25	30	38	43	20	28	36	42	47	21	27	33	40	46	
	500	15	16	16	22	32	15	17	19	24	32	15	17	19	27	38	15	18	20	33	42	15	20	25	35	45	15	19	23	34	43	
	1000	15	15	15	17	29	15	15	15	15	27	15	15	15	20	34	15	15	15	28	38	15	17	18	31	41	15	18	20	30	39	
	2000	15	15	15	15	22	15	15	15	15	20	15	15	15	15	27	15	15	15	21	32	15	15	15	24	36	15	17	19	25	35	
	4000	15	15	15	15	15	15	15	15	15	15	15	15	15	15	18	15	15	15	17	25	15	18	21	29	35	15	22	29	36	40	
	8000	15	15	15	18	22	15	16	17	26	31	15	18	21	23	24	17	19	21	27	30	15	21	27	33	38	22	28	34	40	45	
	Lw [dB(A)]	28	23	33	40	42	30	23	38	42	46	24	23	32	37	41	24	23	33	39	44	26	25	41	46	49	26	29	39	46	54	

- [Product overview](#)
- [Ordering key](#)
- [Accessories](#)
- [Parametrization](#)
- [Actuators](#)
- [Diagrams](#)
- [Maintenance](#)



[SolveAir link](#)

DIAGRAMS



- ▼ [Product overview](#)
- ▼ [Ordering key](#)
- ▼ [Accessories](#)
- ▼ [Parametrization](#)
- ▼ [Actuators](#)
- ▼ [Diagrams](#)
- ▼ [Maintenance](#)



TRANSPORT

After arrival, check the RVK terminal unit for transport damage and shortcomings. In case of any damage or shortcomings, immediately contact your supplier.

STORAGE

If the product is not installed immediately:

- Remove any wrapping.
- Protect the product from dust and contamination.
- Do not expose the RVK terminal unit to the effects of weather - store the damper in a dry place.
- Do not store the unit below -20 °C or above 50 °C.

Please properly dispose of packaging material!

MAINTENANCE AND OPERATION

Klimaoprema RVK terminal unit are designed with fully enclosed drive mechanism outside of the duct and as such do not require cleaning and regular maintenance.

However, activation mechanism should be inspected for proper operation on regular basis.

- Provide at least one annual check of the product
- After each intervention, provide a systematic cleaning of dust and especially the solenoid and its movable plate
- Check the if the electrical terminals are tightened
- Cleaning instruction: clean with a sponge, with water or a mild detergent
- Disinfection instruction: spray disinfectant (disinfectant may contain alcohol which is flammable, take precaution to avoid ignition)

It is not permitted to alter the products in any way nor perform any changes to their structure (except for the service procedures described in this manual) without the manufacturer's consent.

The functional test must be carried out in compliance with the basic maintenance principles of the European norms EN 13306, EN 15423 and EN15650.



COMMISSIONING

- Carefully unpack the product - be careful of sharp edges and do not use excessive force for unpacking
- Inspect the product - check the product for damage
- Before commissioning: check the product functions



AIRFLOW REGULATION

Projektiranje, proizvodnja i održavanje opreme za klimatizaciju, ventilaciju i čiste prostore.
Design, production and service of Ventilation, Air-Conditioning and Cleanroom equipment.

-  Gradna 78A, 10430 Samobor, Croatia
-  +385 (0)1 33 62 513
-  info@klimaoprema.com
-  www.klimaoprema.com