

Product manual

Air grilles

OAH, OAV, OAB, OAK, OAN, OAS,
OAS-R, OCM, PTR, ORP, OPR,
CCH, CCV, NRA, NRK

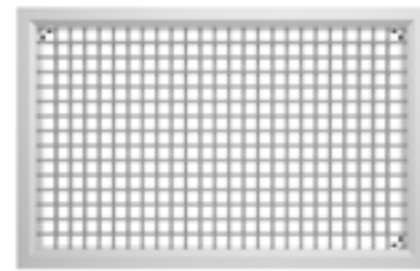
Air distribution

Version 1.0.5
Date: 24.10.2024.

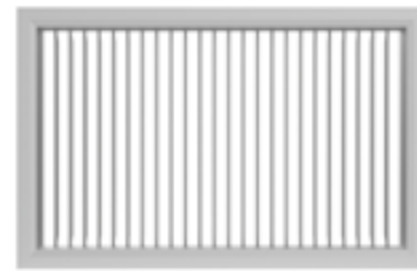
ALUMINIUM GRILLES



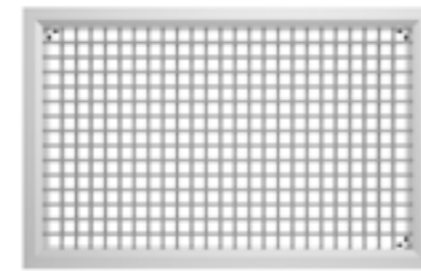
OAH-1



OAH-2



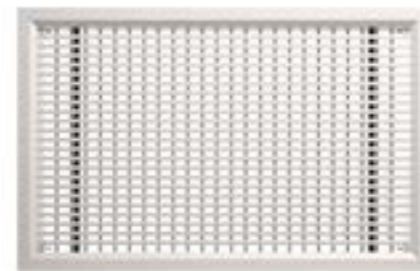
OAV-1



OAV-2



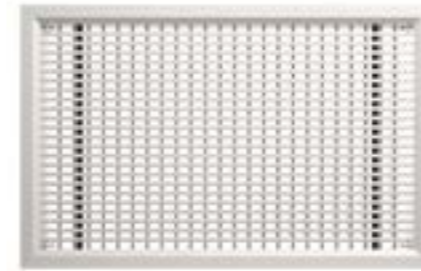
OAB 1-0



OAB 2-0



OAB 1-15



OAB 2-15



OAN



OAS



OAS-R

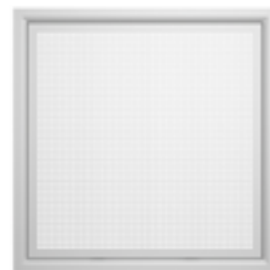


OCM

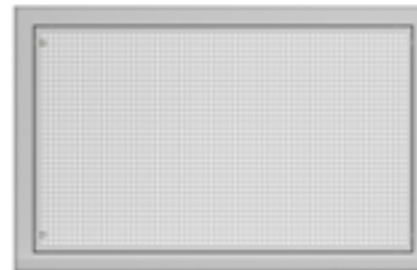
FAN-COIL GRILLE



PTR



ORP



OPR

- ▼ Aluminium grilles
- ▼ Steel grilles
- ▼ Steel grilles for round duct
- ▼ Floor grilles
- ▼ Ordering key
- ▼ Installation
- ▼ Diagrams
- ▼ Maintenance

ALUMINIUM GRILLES

STEEL GRILLES

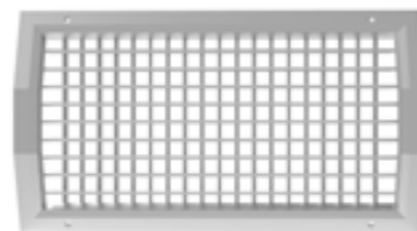


PCR

STEEL GRILLES FOR ROUND DUCT



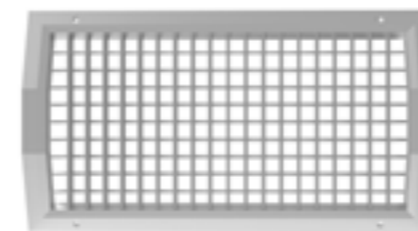
CCH 1



CCH 2



CCV 1



CCV 2

FLOOR GRILLES



NRA 0



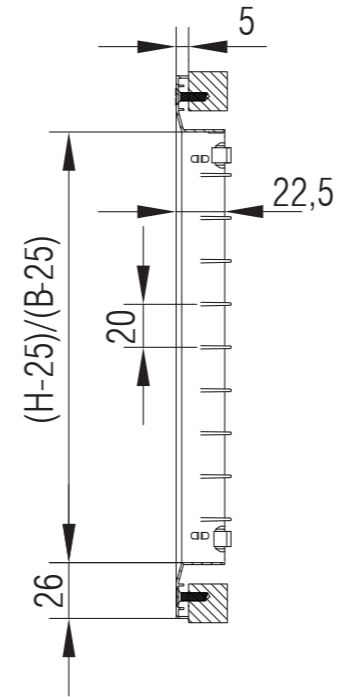
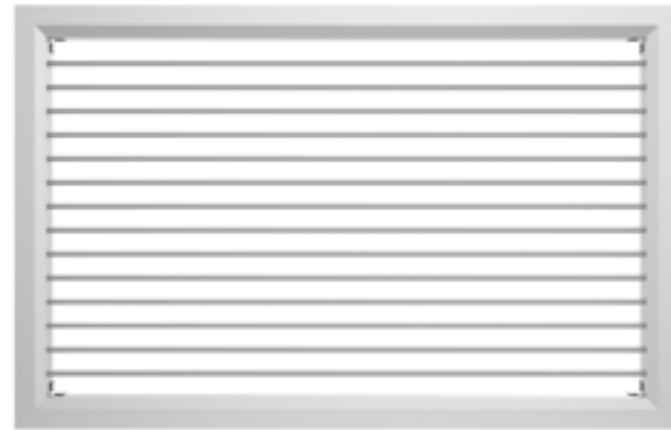
NRA 15



NRK

- ▼ [Aluminium grilles](#)
- ▼ [Steel grilles](#)
- ▼ [Steel grilles for round duct](#)
- ▼ [Floor grilles](#)
- ▼ [Ordering key](#)
- ▼ [Installation](#)
- ▼ [Diagrams](#)
- ▼ [Maintenance](#)

STEEL / ROUND / FLOOR GRILLES

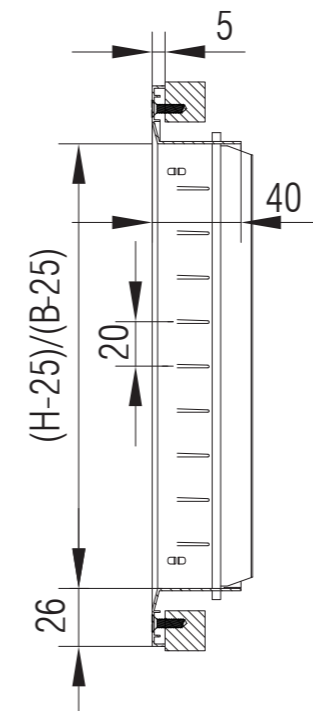
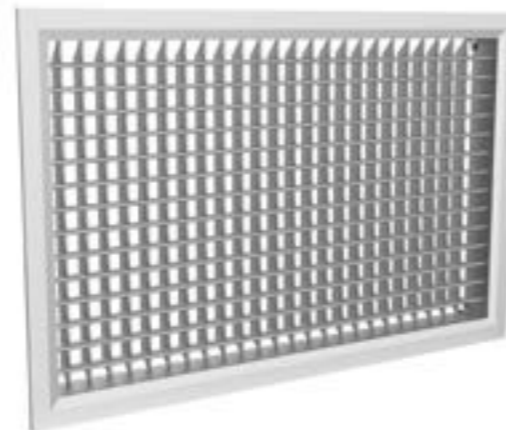
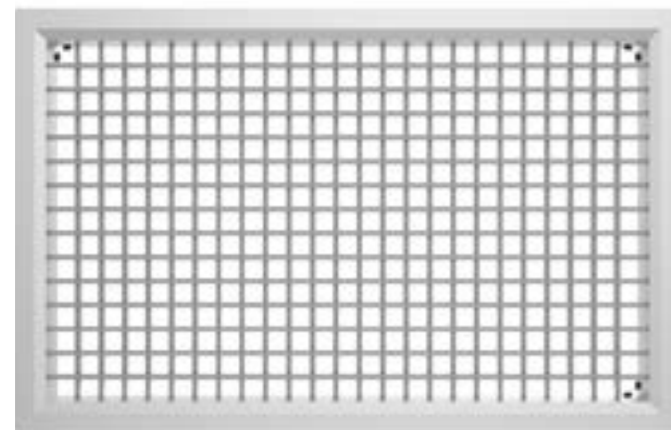


OAH-1

- frame and blades made out of anodized aluminium profiles
- one row of horizontal individually adjustable blades
- fixing with visible screws (wall and ceiling)
- fixing with mounting frame (UR) only in wall

OPTIONS

- installation subframe
- L damper
- S damper



OAH-2

- frame and blades made out of anodized aluminium profiles
- front row of horizontal individually adjustable blades
- back row of vertical individually adjustable blades
- fixing with visible screws (wall and ceiling)
- fixing with mounting frame (UR) only in wall

OPTIONS

- installation subframe
- L damper
- S damper

- ▼ Aluminium grilles
- ▼ Steel grilles
- ▼ Steel grilles for round duct
- ▼ Floor grilles
- ▼ Ordering key
- ▼ Installation
- ▼ Diagrams
- ▼ Maintenance

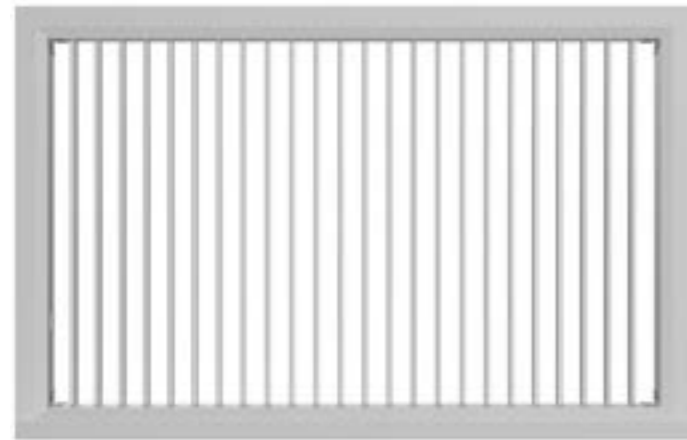
PRODUCT OVERVIEW

DIMENSIONS

B x H

B	225	-	1225	in increments 100 mm
H	75	-	525	in increments 100 mm

*all combinations B x H are possible



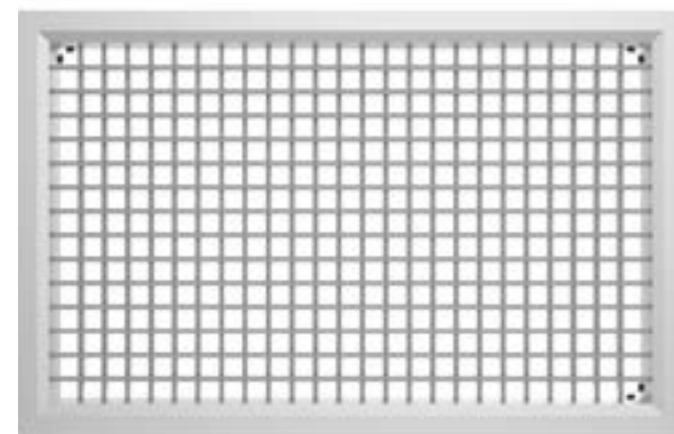
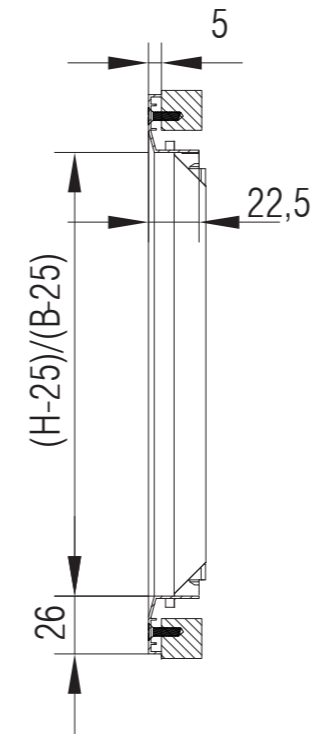
OAV-1

- frame and blades made out of anodized aluminium profiles
- one row of vertical individually adjustable blades
- fixing with visible screws (wall and ceiling)
- fixing with mounting frame (UR) only in wall



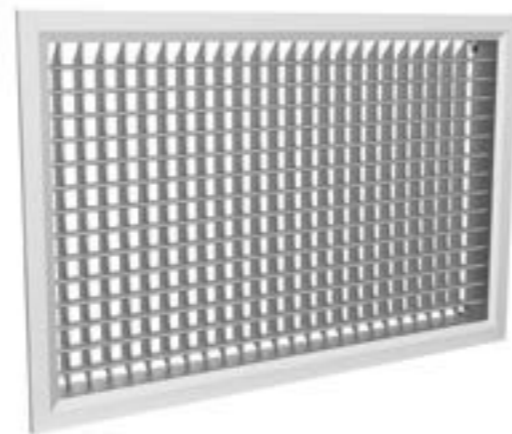
OPTIONS

- installation subframe
- L damper
- S damper



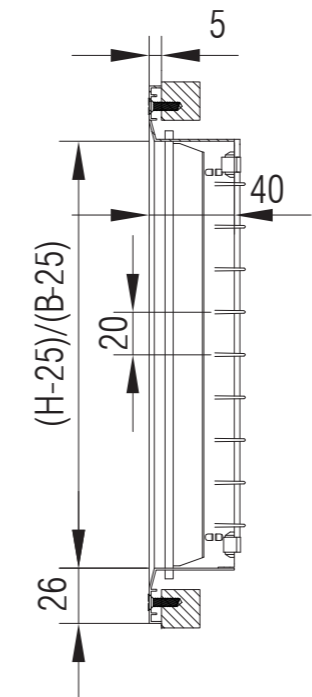
OAV-2

- frame and blades made out of anodized aluminium profiles
- front row of vertical individually adjustable blades
- back row of horizontal individually adjustable blades
- fixing with visible screws (wall and ceiling)
- fixing with mounting frame (UR) only in wall



OPTIONS

- installation subframe
- L damper
- S damper



- ▼ Aluminium grilles
- ▼ Steel grilles
- ▼ Steel grilles for round duct
- ▼ Floor grilles
- ▼ Ordering key
- ▼ Installation
- ▼ Diagrams
- ▼ Maintenance

PRODUCT OVERVIEW

DIMENSIONS

B x H

B	225	-	1225	in increments 100 mm
H	75	-	525	in increments 100 mm

*all combinations B x H are possible



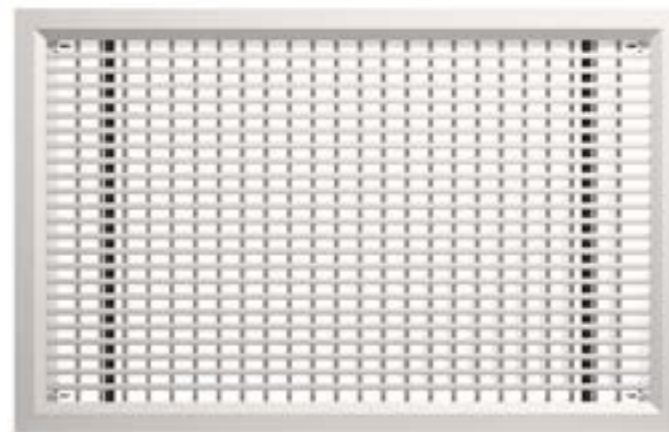
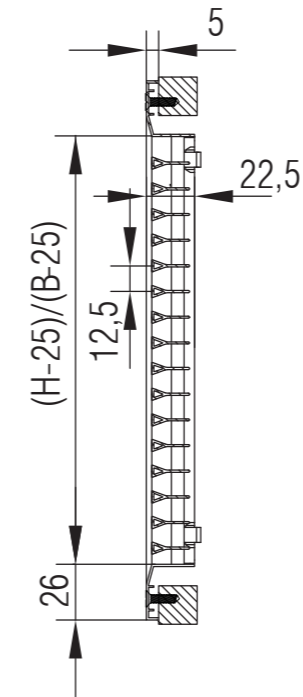
OAB-1-0

- frame and blades made out of anodized aluminium profiles
- one row of horizontal fixed blades
- fixing with visible screws (wall and ceiling)
- fixing with mounting frame (UR) only in wall



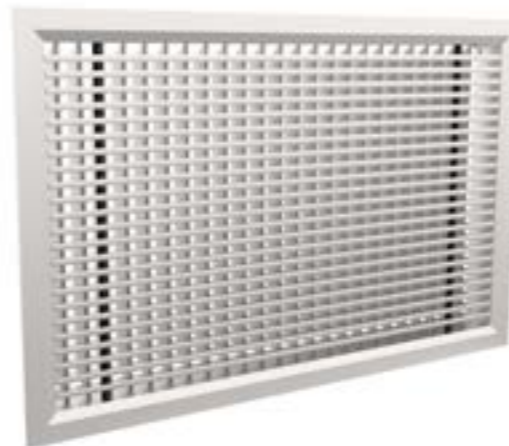
OPTIONS

- installation subframe
- L damper
- S damper



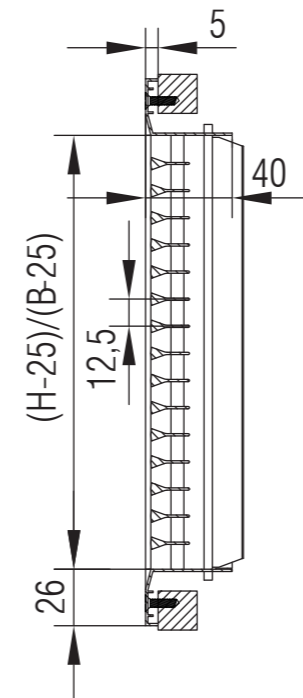
OAB 2-0

- frame and blades made out of anodized aluminium profiles
- front row of horizontal adjustable blades
- back row of vertical adjustable blades
- fixing with visible screws (wall and ceiling)
- fixing with mounting frame (UR) only in wall



OPTIONS

- installation subframe
- L damper
- S damper



- ▼ Aluminium grilles
- ▼ Steel grilles
- ▼ Steel grilles for round duct
- ▼ Floor grilles
- ▼ Ordering key
- ▼ Installation
- ▼ Diagrams
- ▼ Maintenance

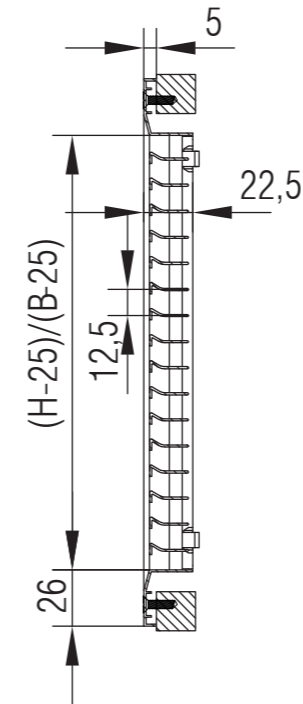
PRODUCT OVERVIEW

DIMENSIONS

B x H

B	225	-	1225	in increments 100 mm
H	75	-	525	in increments 100 mm

*all combinations B x H are possible

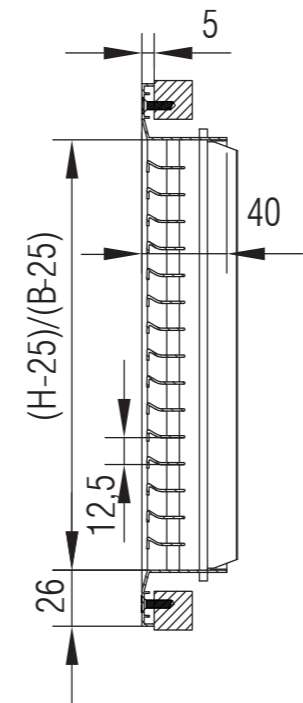
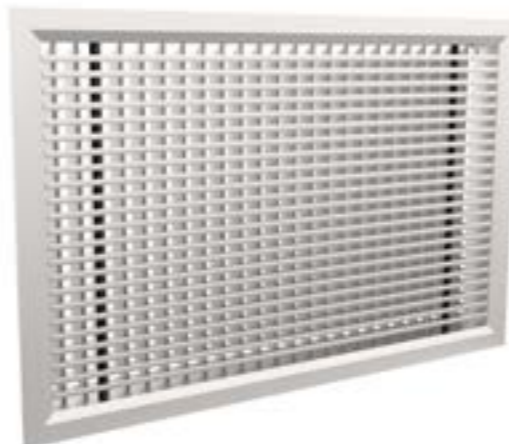
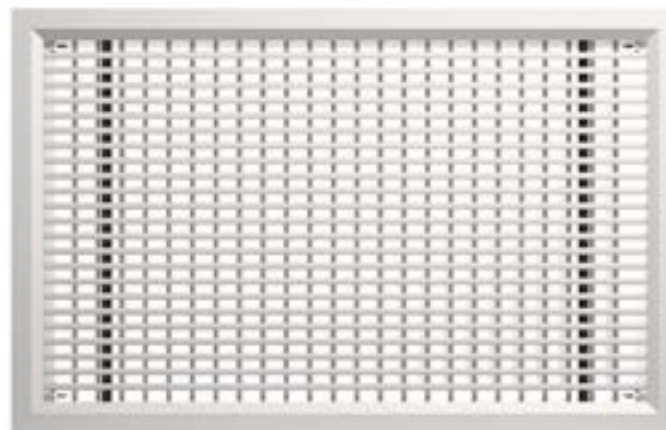


OAB 1-15

- frame and blades made out of anodized aluminium profiles
- one row of horizontal fixed blades with deflection angle 15°
- fixing with visible screws (wall and ceiling)
- fixing with mounting frame (UR) only in wall

OPTIONS

- installation subframe
- L damper
- S damper



OAB 2-15

- frame and blades made out of anodized aluminium profile:
- front row of horizontal fixed blades
- back row of vertical adjustable blades
- fixing with visible screws (wall and ceiling)
- fixing with mounting frame (UR) only in wall

OPTIONS

- installation subframe
- L damper
- S damper

- ▼ Aluminium grilles
- ▼ Steel grilles
- ▼ Steel grilles for round duct
- ▼ Floor grilles
- ▼ Ordering key
- ▼ Installation
- ▼ Diagrams
- ▼ Maintenance

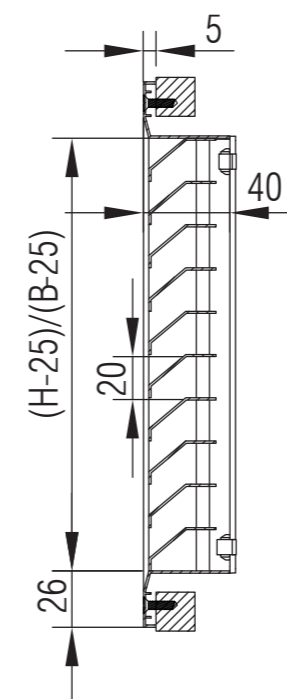
PRODUCT OVERVIEW

DIMENSIONS

B x H

B	225	-	1225	in increments 100 mm
H	75	-	525	in increments 100 mm

*all combinations B x H are possible



OAN

- frame and blades made out of anodized aluminium profiles
- one row of horizontal fixed blades
- fixing with visible screws (wall and ceiling)
- fixing with mounting frame (UR) only in wall

OPTIONS

- installation subframe
- L damper

- ▼ [Aluminium grilles](#)
- ▼ [Steel grilles](#)
- ▼ [Steel grilles for round duct](#)
- ▼ [Floor grilles](#)
- ▼ [Ordering key](#)
- ▼ [Installation](#)
- ▼ [Diagrams](#)
- ▼ [Maintenance](#)

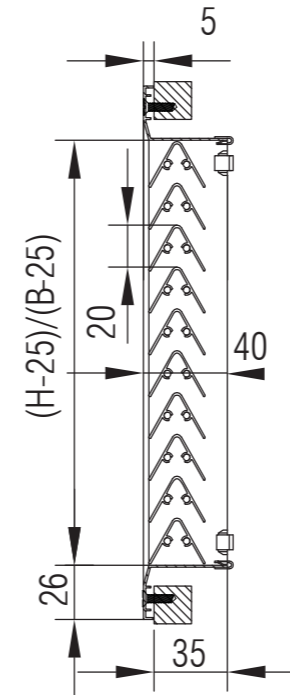
PRODUCT OVERVIEW

DIMENSIONS

B x H

B	225	-	1225	in increments 100 mm
H	75	-	525	in increments 100 mm

*all combinations B x H are possible

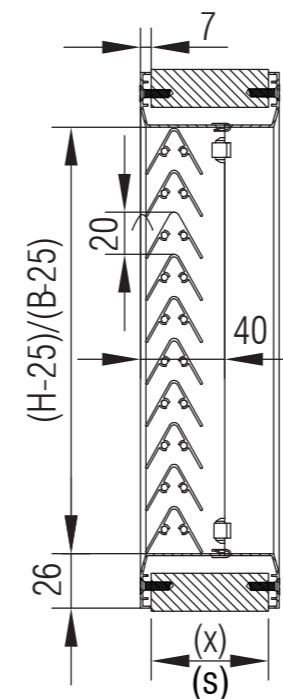


OAS

- frame and blades made out of anodized aluminium profiles
- one row of horizontal fixed blades
- fixing with visible screws (wall and ceiling)
- fixing with mounting frame (UR) only in wall

OPTIONS

- installation subframe



OAS-R

- frame, counterframe and blades made out of anodized aluminium profiles
- one row of horizontal fixed blades
- counterframe for back side of the door
- fixing with visible screws (wall and ceiling)
- door width (s=37-50 mm)

- ▼ Aluminium grilles
- ▼ Steel grilles
- ▼ Steel grilles for round duct
- ▼ Floor grilles
- ▼ Ordering key
- ▼ Installation
- ▼ Diagrams
- ▼ Maintenance

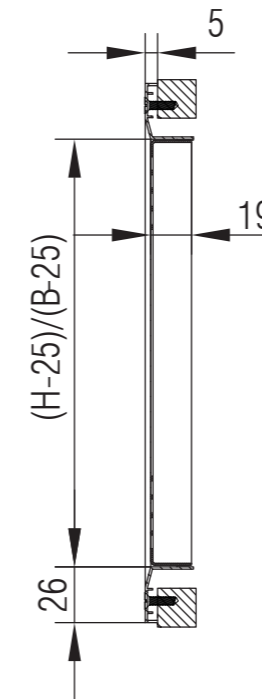
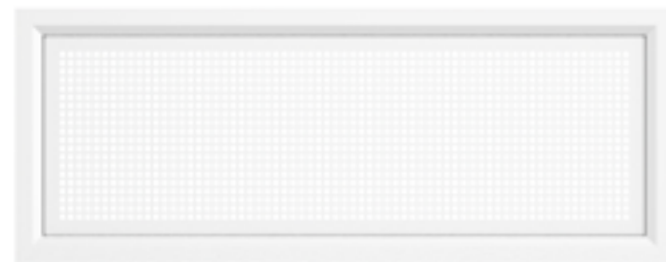
PRODUCT OVERVIEW

DIMENSIONS

B x H

B	225	-	1225	in increments 100 mm
H	75	-	525	in increments 100 mm

*all combinations B x H are possible

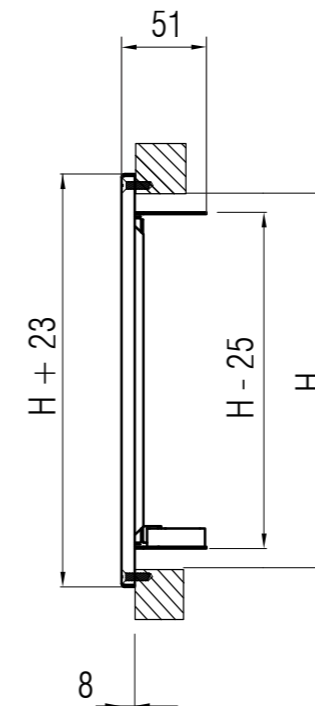


OCM

- frame made out of anodized aluminium profiles
- fixed mesh of perforated steel sheet
- perforation 6x6mm, step 8,5mm
- powder coated in white RAL 9010
- fixing with visible screws (wall and ceiling)
- fixing with mounting frame (UR) only in wall

OPTIONS

- installation subframe
- L damper
- S damper



PCR

- frame made out of steel sheet profiles
- fixed mesh of perforated steel sheet
- round perforation 4mm, 40%
- powder coated in white RAL 9010
- fixing with visible screws
- perforated cover opens around axis on B side
- closing mechanism on back side of the cover

- ▼ [Aluminium grilles](#)
- ▼ [Steel grilles](#)
- ▼ [Steel grilles for round duct](#)
- ▼ [Floor grilles](#)
- ▼ [Ordering key](#)
- ▼ [Installation](#)
- ▼ [Diagrams](#)
- ▼ [Maintenance](#)

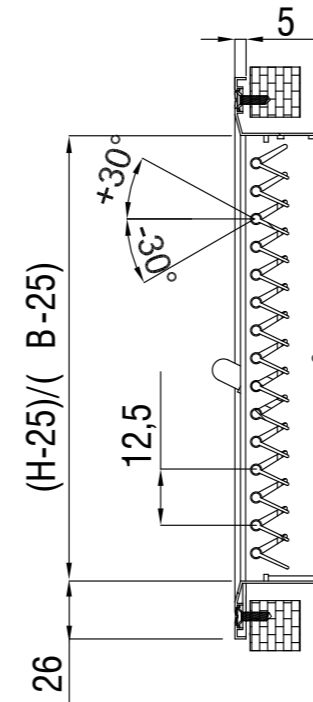
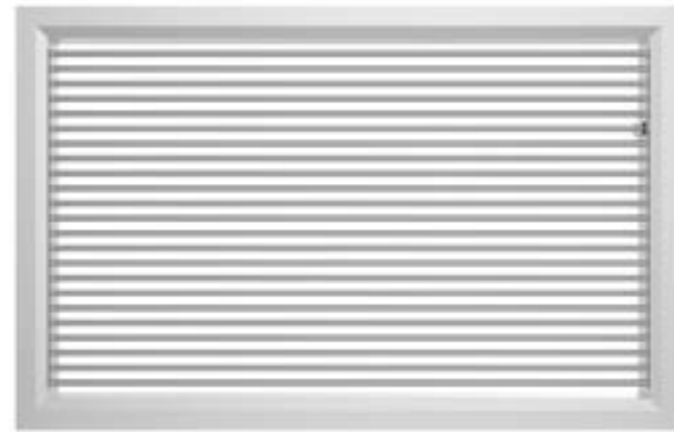
PRODUCT OVERVIEW

DIMENSIONS

B x H

	B		H	
	225	-	1225	in increments 100 mm
	75	-	525	in increments 100 mm

*all combinations B x H are possible



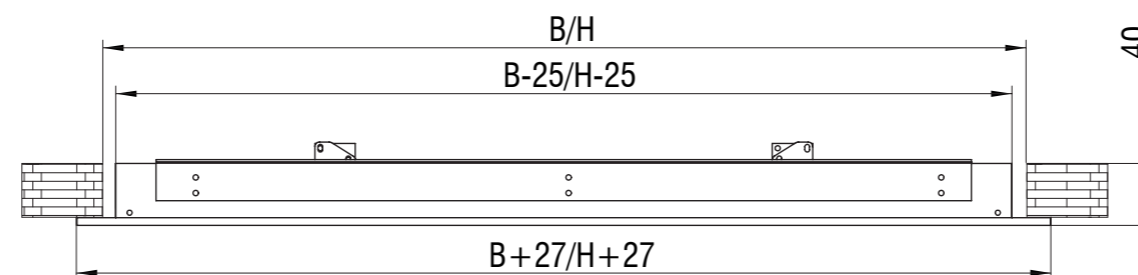
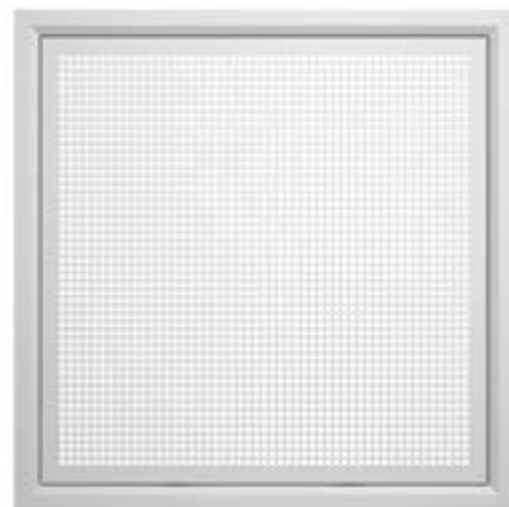
PTR

Adjustable supply grille

- frame and blades made out of anodized aluminium profiles
- front row of horizontal adjustable, interconnected blades (deflection angle $\pm 30^\circ$)
- fixing with visible screws (wall and ceiling)
- fixing with mounting frame (UR) only in wall

OPTIONS

- installation subframe



ORP

Fan convector grilles

- frame and screen made out of anodized aluminium profiles
- installation in suspended ceiling
- free hanging perforated screen with click lock
- fixed with angle and M6 screws

- ▼ Aluminium grilles
- ▼ Steel grilles
- ▼ Steel grilles for round duct
- ▼ Floor grilles
- ▼ Ordering key
- ▼ Installation
- ▼ Diagrams
- ▼ Maintenance

PRODUCT OVERVIEW

DIMENSIONS

B x H

B	225	-	1225	in increments 100 mm
H	75	-	525	in increments 100 mm

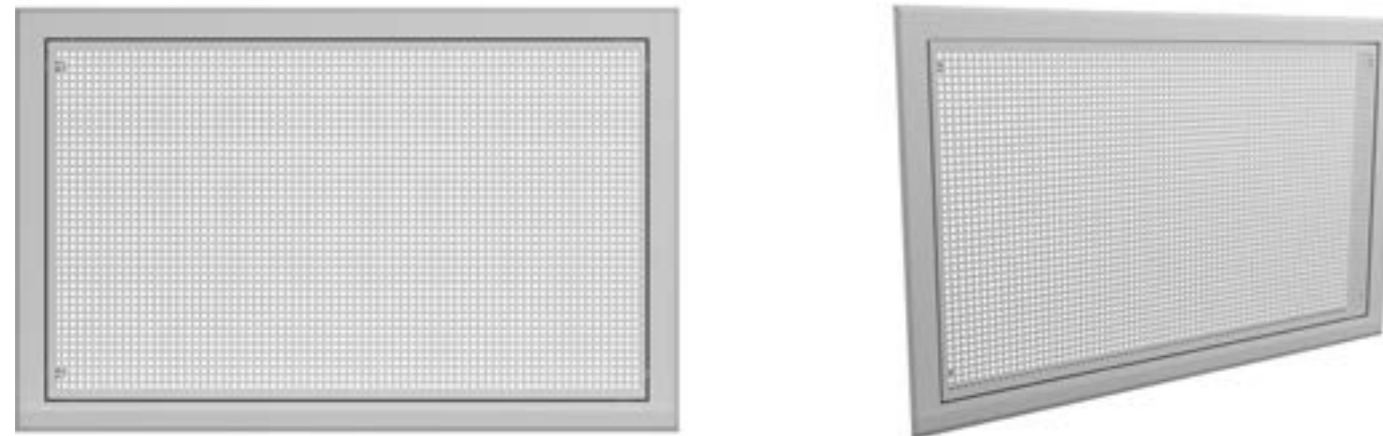
*all combinations B x H are possible

DIMENSIONS ORP

B x H

B	200	-	1200	in increments 100 mm
H	200	-	1200	in increments 100 mm

*all combinations B x H are possible



OPR

Exhaust surgical grille is designed for wall mounting in areas with specific requirements of purity (operating rooms).

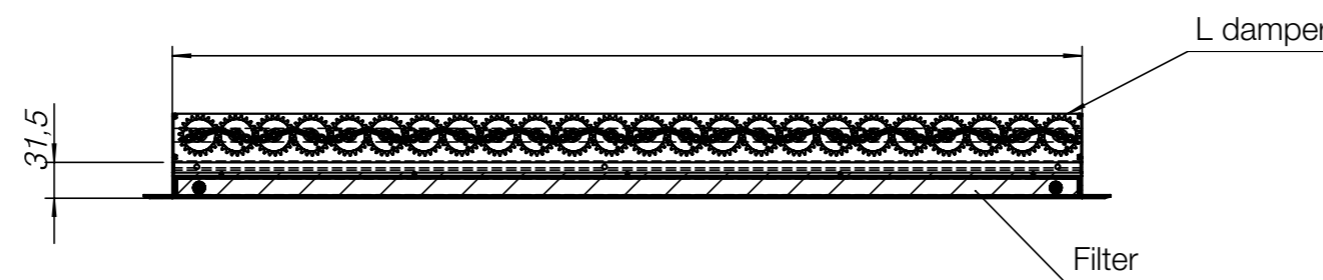
- housing and perforated grille are made from stainless steel AISI 304.
- filter G4
- installation in Clean room panels
- installation dimensions B-10 x H-10 mm
- casing dimensions B+27 x H+27 mm

OPTIONS

- Stainless steel (AISI 316)
- Polished surface
- G4 filter (OPR-CR-F)
- L damper installed (OPR-CR-L)

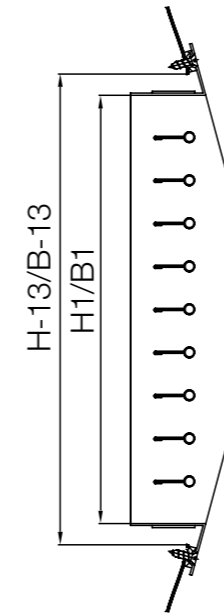
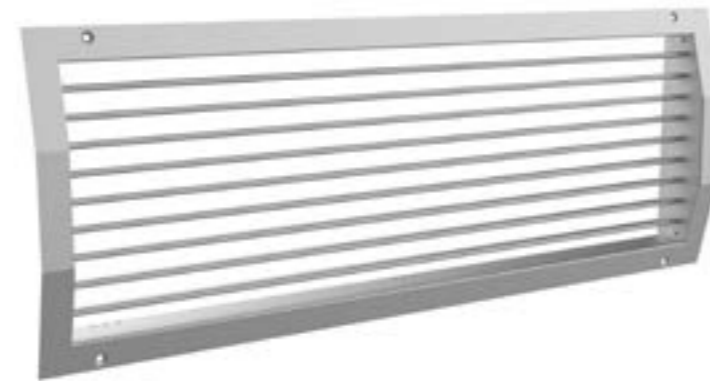
DIMENSIONS OPR

Nominal dimensions B x H (mm)	A ^{ef} (m ²)	Q _{nom} [m ³ /h]	Δp _{nom} (G4) [Pa]	Δp _{nom} (M5) [Pa]	Δp _{max} [Pa]
225 x 325	0,017	300	63	85	250
275 x 275	0,018	310	63	85	250
225 x 425	0,024	400	63	85	250
225 x 525	0,031	500	63	85	250
325 x 425	0,039	600	63	85	250
325 x 525	0,049	755	64	86	250
435 x 435	0,056	845	64	86	250
325 x 625	0,060	905	64	86	250
475 x 475	0,069	1020	64	86	250



- ▼ Aluminium grilles
- ▼ Steel grilles
- ▼ Steel grilles for round duct
- ▼ Floor grilles
- ▼ Ordering key
- ▼ Installation
- ▼ Diagrams
- ▼ Maintenance

PRODUCT OVERVIEW

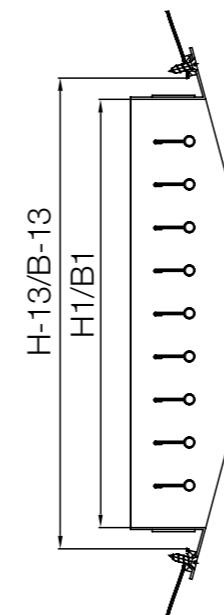
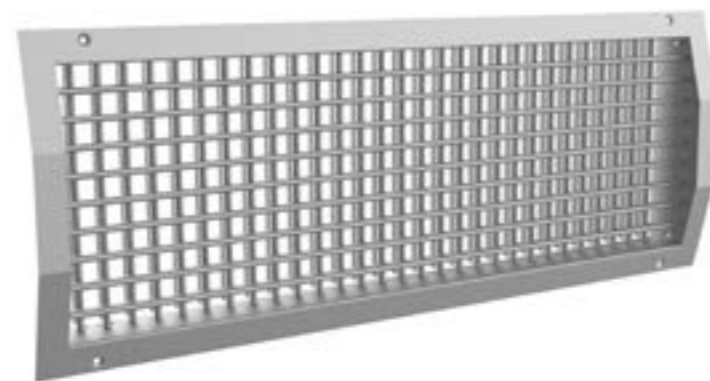
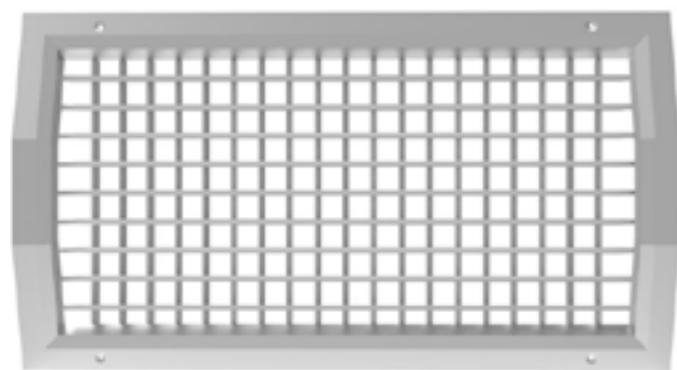


CCH 1

- one row of horizontal individually adjustable blades
- frame and blades made out of galvanized steel
- fixing with screws
- installation on round duct

OPTIONS

- L damper
- S damper



CCH 2

- front row of horizontal individually adjustable blades
- back row of vertical individually adjustable blades
- frame and blades made out of galvanized steel
- fixing with screws
- installation on round duct

OPTIONS

- L damper
- S damper

- ▼ [Aluminium grilles](#)
- ▼ [Steel grilles](#)
- ▼ [Steel grilles for round duct](#)
- ▼ [Floor grilles](#)
- ▼ [Ordering key](#)
- ▼ [Installation](#)
- ▼ [Diagrams](#)
- ▼ [Maintenance](#)

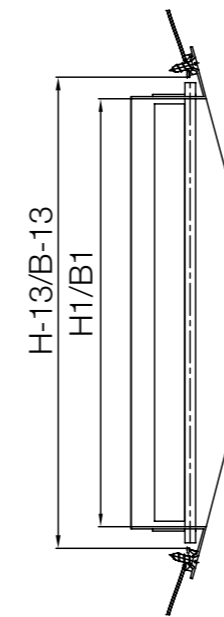
PRODUCT OVERVIEW

DIMENSIONS

B x H

B	225	-	1225	in increments 100 mm
H	75, 125 or 225 mm			

* B > H

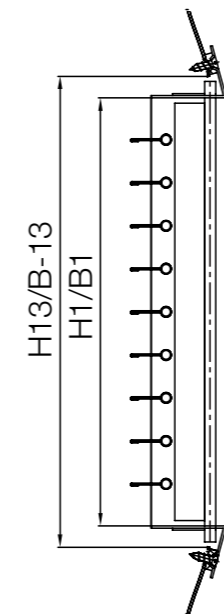
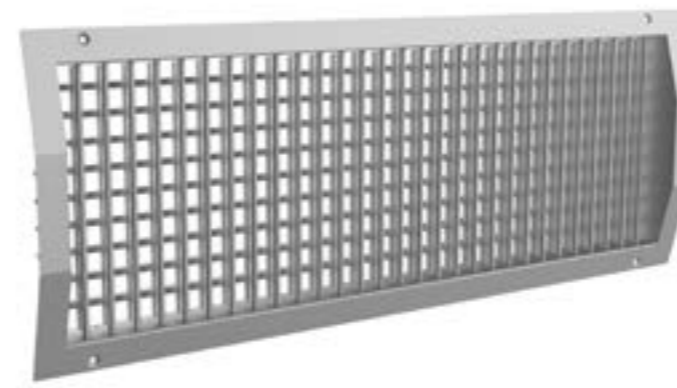
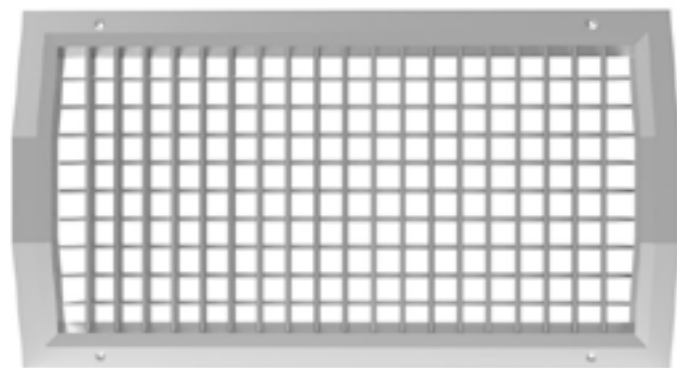


CCV 1

- one row of vertical individually adjustable blades
- frame and blades made out of galvanized steel
- fixing with screws
- installation on round duct

OPTIONS

- L damper
- S damper



CCV 2

- front row of vertical individually adjustable blades
- back row of horizontal individually adjustable blades
- frame and blades made out of galvanized steel
- fixing with screws
- installation on round duct

OPTIONS

- L damper
- S damper

- ▼ [Aluminium grilles](#)
- ▼ [Steel grilles](#)
- ▼ [Steel grilles for round duct](#)
- ▼ [Floor grilles](#)
- ▼ [Ordering key](#)
- ▼ [Installation](#)
- ▼ [Diagrams](#)
- ▼ [Maintenance](#)

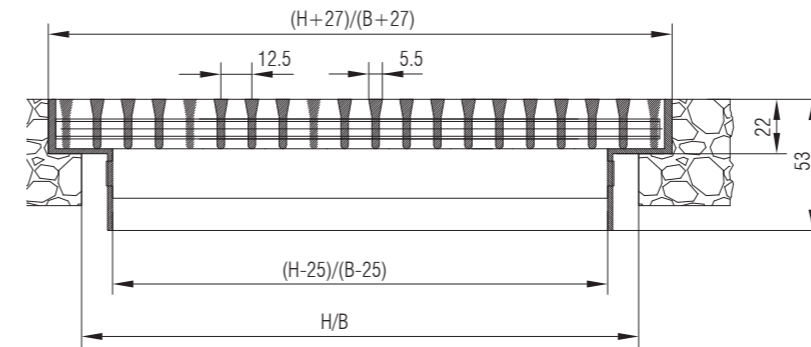
PRODUCT OVERVIEW

DIMENSIONS

B x H

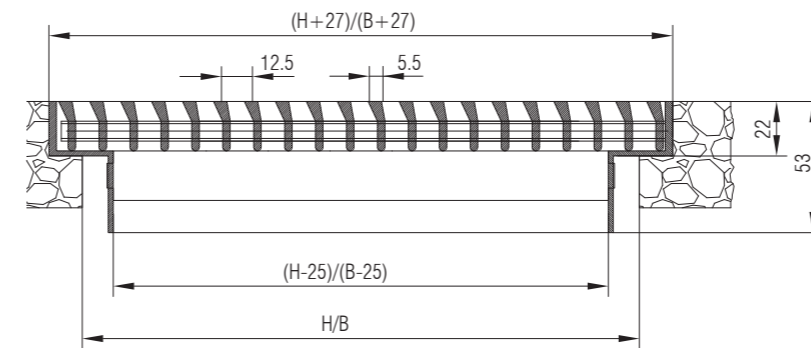
B	225	-	1225	in increments 100 mm
H	75, 125 or 225 mm			

* B > H



NRA 0

- frame and blades made out of anodized aluminium profiles
- one row of fixed horizontal blades
- blade insert detachable from the frame
- fixing in floor



NRA 15

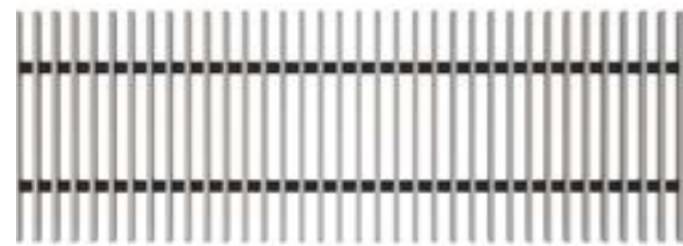
- frame and blades made out of anodized aluminium profiles
- one row of fixed horizontal blades
- blade insert detachable from the frame
- fixing in floor

DIMENSIONS

	200	225	300	325	400	425	500	525	600	625	700	725	800	825	900	925	1000	1025	1100	1125	1200	1225	
75		•		•			•		•			•		•			•		•			•	
125		•		•			•		•			•		•			•		•			•	
225		•		•			•		•			•		•			•		•			•	
325		•		•			•		•			•		•			•		•			•	
400	•		•		•	•		•		•	•		•		•	•		•		•	•		•
425		•		•			•		•			•		•			•		•			•	
500	•		•		•	•		•		•	•		•		•	•		•		•	•		•
525		•		•			•		•			•		•			•		•			•	
600	•		•		•	•		•		•	•		•		•	•		•		•	•		•
700	•		•		•	•		•		•	•		•		•	•		•		•	•		•
800	•		•		•	•		•		•	•		•		•	•		•		•	•		•
900	•		•		•	•		•		•	•		•		•	•		•		•	•		•

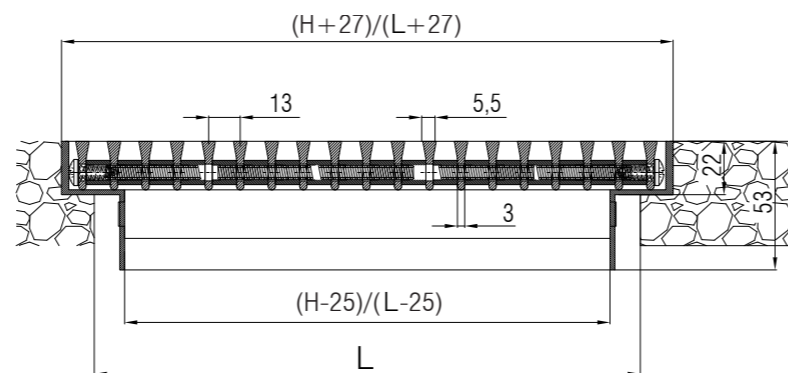
- ▶ Aluminium grilles
- ▶ Steel grilles
- ▶ Steel grilles for round duct
- ▶ Floor grilles
- ▶ Ordering key
- ▶ Installation
- ▶ Diagrams
- ▶ Maintenance

PRODUCT OVERVIEW



NRK

- frame and blades made out of anodized aluminium profiles
- one row of fixed horizontal blades
- blade insert detachable from the frame
- fixing in floor
- standard widths: 254, 344, 444mm, other widths on special demand
- maximum grille length, 6m



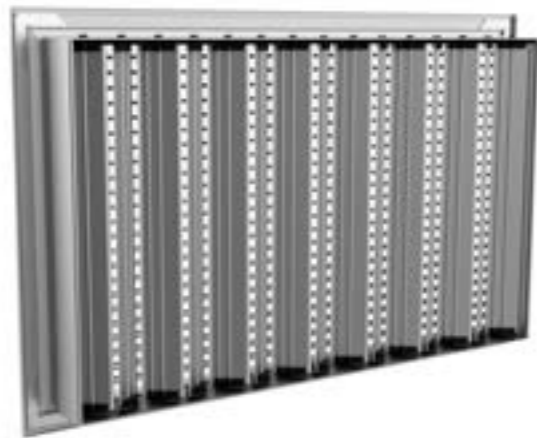
- ▼ [Aluminium grilles](#)
- ▼ [Steel grilles](#)
- ▼ [Steel grilles for round duct](#)
- ▼ [Floor grilles](#)
- ▼ [Ordering key](#)
- ▼ [Installation](#)
- ▼ [Diagrams](#)
- ▼ [Maintenance](#)

PRODUCT OVERVIEW

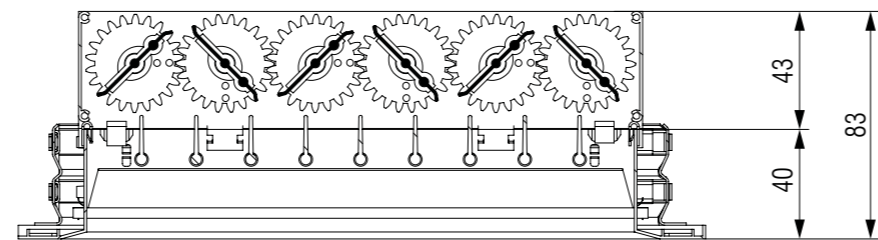
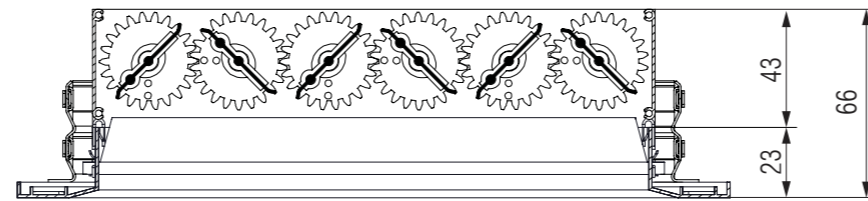
DIMENSIONS

H x L	
H	254-344-444 mm
L	max. length 5 m

Dampers

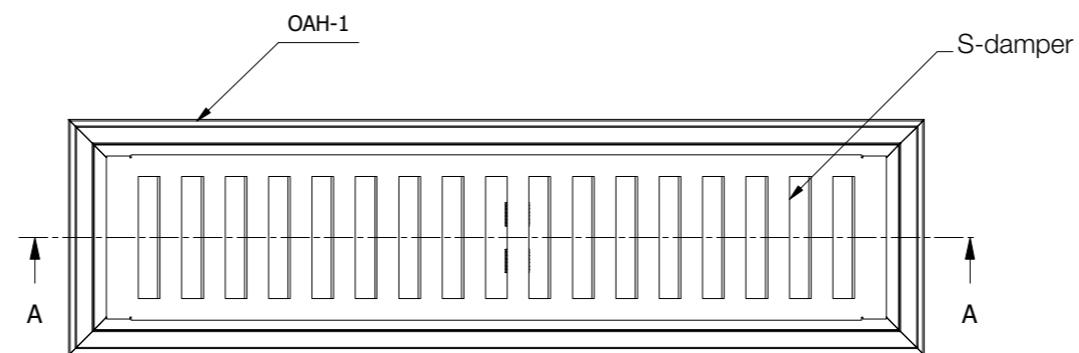
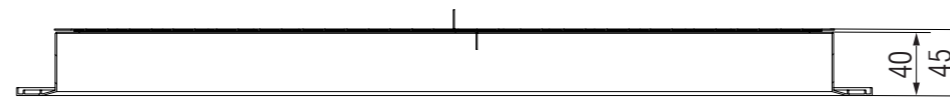


L - damper



S - damper

A-A



- ▼ Aluminium grilles
- ▼ Steel grilles
- ▼ Steel grilles for round duct
- ▼ Floor grilles
- ▼ Ordering key
- ▼ Installation
- ▼ Diagrams
- ▼ Maintenance

DAMPERS

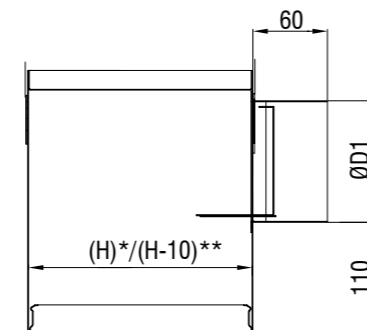
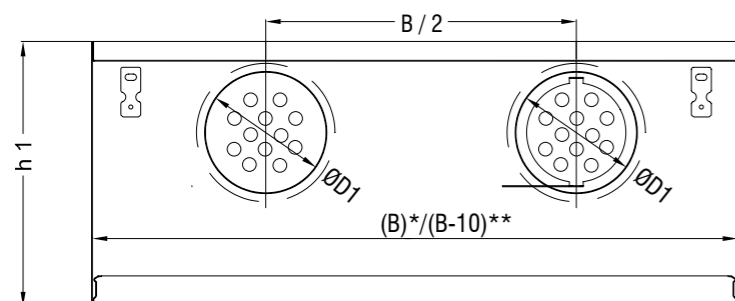
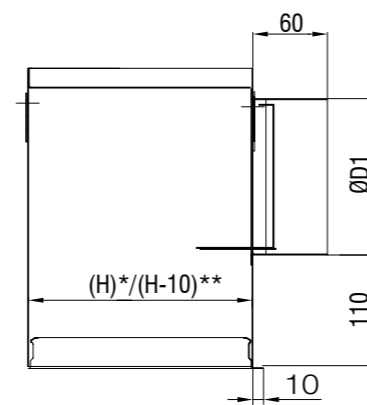
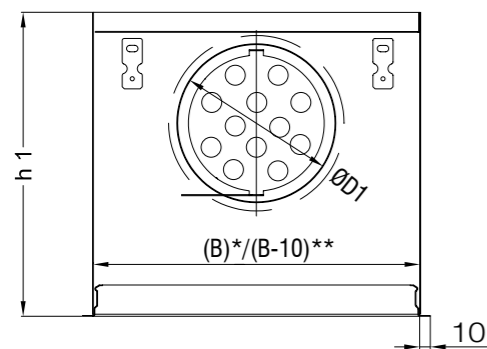
Plenum box



PK1

PK1 / PK1-UR				
B mm	H mm	øD mm	Number of connections	h1 mm
225	75	123	1	265
325	75	158	1	300
425	75	158	1	300
525	75	158	1	300
625	75	158	1	300
725	75	158	1	300
825	75	158	2	300
925	75	158	2	300
1025	75	158	2	300
1125	75	158	2	300
1225	75	158	2	300
225	125	158	1	300
325	125	158	1	300
425	125	158	1	300
525	125	158	1	300
625	125	158	1	300
725	125	158	1	300
825	125	158	2	300
925	125	158	2	300
1025	125	158	2	300
1125	125	158	2	300
1225	125	158	2	300
225	225	158	1	300
325	225	158	1	300
425	225	198	1	340
525	225	198	1	340
625	225	198	1	340
725	225	198	1	340
825	225	198	2	340
925	225	198	2	340
1025	225	198	2	340
1125	225	198	2	340
1225	225	198	2	340

PK1 / PK1-UR				
B mm	H mm	øD mm	Number of connections	h1 mm
325	325	248	1	390
425	325	248	1	390
525	325	248	1	390
625	325	248	1	390
725	325	248	1	390
825	325	248	2	390
925	325	248	2	390
1025	325	248	2	390
1125	325	248	2	390
1225	325	248	2	390
425	425	248	1	390
525	425	248	1	390
625	425	248	1	390
725	425	248	1	390
825	425	248	2	390
925	425	248	2	390
1025	425	248	2	390
1125	425	248	2	390
1225	425	248	2	390
525	525	313	1	455
625	525	313	1	455
725	525	313	1	455
825	525	313	2	455
925	525	313	2	455
1025	525	313	2	455
1125	525	313	2	455
1225	525	313	2	455



Note:
 * Dimensions PK for installation with subframe
 ** Dimensions PK for installation without subframe

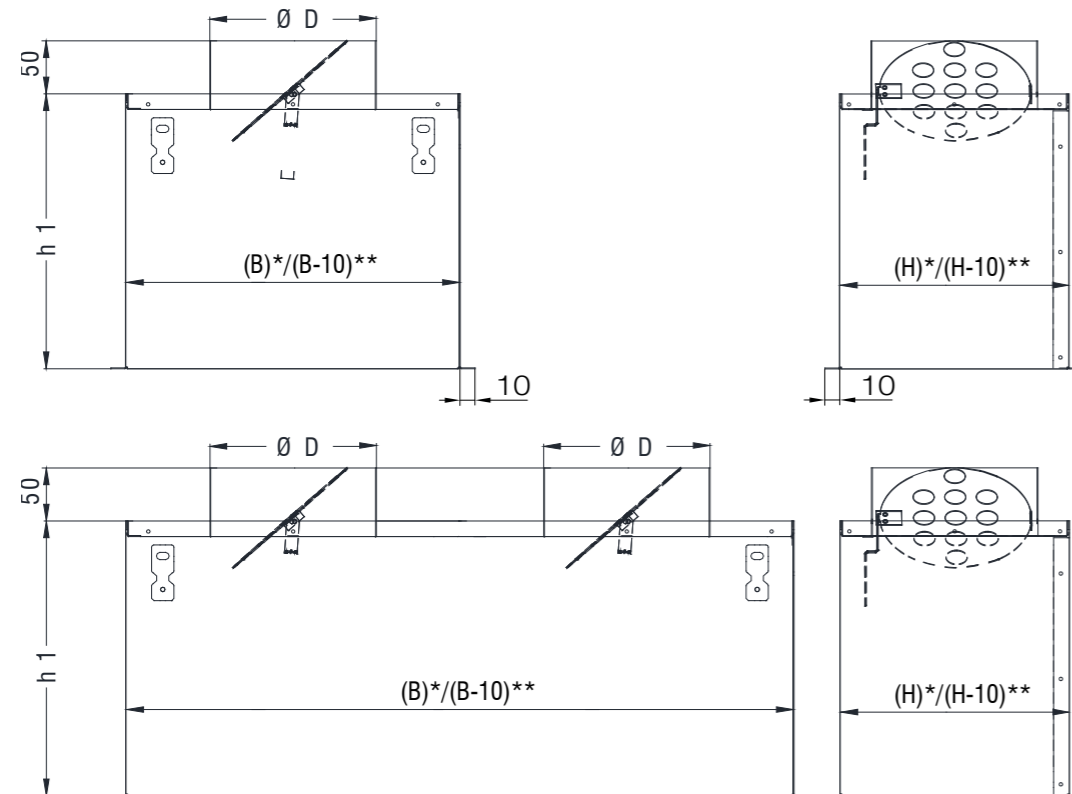
- ▼ Aluminium grilles
- ▼ Steel grilles
- ▼ Steel grilles for round duct
- ▼ Floor grilles
- ▼ Ordering key
- ▼ Installation
- ▼ Diagrams
- ▼ Maintenance

PLENUM BOX

Plenum box



PK2



PK2 / PK2-UR				
B mm	H mm	øD mm	Number of connections	h1 mm
225	125	98	1	250
325	125	98	2	250
425	125	98	2	250
525	125	98	3	250
625	125	98	3	250
725	125	98	3	250
825	125	98	3	250
925	125	98	3	250
1025	125	98	3	250
1125	125	98	3	250
1225	125	98	3	250
225	225	158	1	300
325	225	198	1	340
425	225	198	1	340
525	225	198	1	340
625	225	198	2	340
725	225	198	2	340
825	225	198	2	340
925	225	198	2	340
1025	225	198	2	340
1125	225	198	2	340
1225	225	198	2	340
325	325	248	1	390
425	325	248	1	390
525	325	248	1	390
625	325	248	1	390
725	325	248	1	390
825	325	248	2	390
925	325	248	2	390
1025	325	248	2	390
1125	325	248	2	390
1225	325	248	2	390

PK2 / PK2-UR				
B mm	H mm	øD mm	Number of connections	h1 mm
425	425	248	1	390
525	425	248	1	390
625	425	248	1	390
725	425	248	1	390
825	425	248	2	390
925	425	248	2	390
1025	425	248	2	390
1125	425	248	2	390
1225	425	248	2	390
525	525	313	1	455
625	525	313	1	455
725	525	313	1	455
825	525	313	2	455
925	525	313	2	455
1025	525	313	2	455
1125	525	313	2	455
1225	525	313	2	455

- ▼ Aluminium grilles
- ▼ Steel grilles
- ▼ Steel grilles for round duct
- ▼ Floor grilles
- ▼ Ordering key
- ▼ Installation
- ▼ Diagrams
- ▼ Maintenance

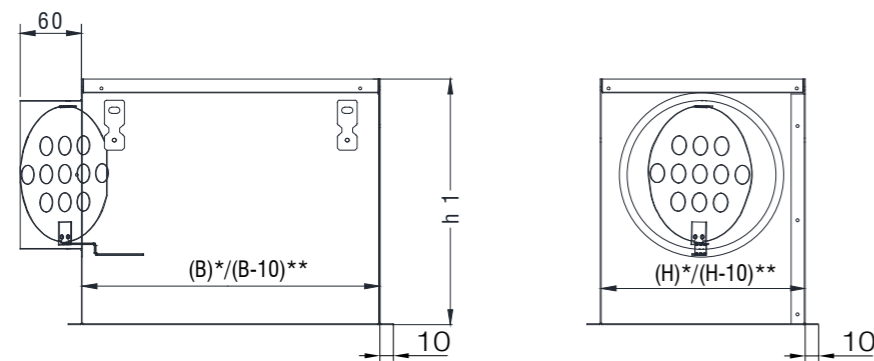
PLENUM BOX

Note:
 * Dimensions PK for installation with subframe
 ** Dimensions PK for installation without subframe

Plenum box



PK3



PK3 / PK3-UR				
B mm	H mm	øD mm	Number of connections	h1 mm
225	125	98	1	250
325	125	98	1	250
425	125	98	1	250
525	125	98	1	250
625	125	98	1	250
725	125	98	1	250
825	125	98	1	250
925	125	98	1	250
1025	125	98	1	250
1125	125	98	1	250
1225	125	98	1	250
225	225	158	1	300
325	225	198	1	340
425	225	198	1	340
525	225	198	1	340
625	225	198	1	340
725	225	198	1	340
825	225	198	1	340
925	225	198	1	340
1025	225	198	1	340
1125	225	198	1	340
1225	225	198	1	340
325	325	248	1	390
425	325	248	1	390
525	325	248	1	390
625	325	248	1	390
725	325	248	1	390
825	325	248	1	390
925	325	248	1	390
1025	325	248	1	390
1125	325	248	1	390
1225	325	248	1	390

PK3 / PK3-UR				
B mm	H mm	øD mm	Number of connections	h1 mm
425	425	248	1	390
525	425	248	1	390
625	425	248	1	390
725	425	248	1	390
825	425	248	1	390
925	425	248	1	390
1025	425	248	1	390
1125	425	248	1	390
1225	425	248	1	390
525	525	313	1	455
625	525	313	1	455
725	525	313	1	455
825	525	313	1	455
925	525	313	1	455
1025	525	313	1	455
1125	525	313	1	455
1225	525	313	1	455

- ▼ Aluminium grilles
- ▼ Steel grilles
- ▼ Steel grilles for round duct
- ▼ Floor grilles
- ▼ Ordering key
- ▼ Installation
- ▼ Diagrams
- ▼ Maintenance

PLENUM BOX

Note:
 * Dimensions PK for installation with subframe
 ** Dimensions PK for installation without subframe

GRILLE	DAMPER			OPTIONS				
	L	S	UR	PUR	RAL...	Linear grille B >1225mm	Plenum box PK1, PK2, PK3	Removable filter insert
OAH	•	•	•	•	•		•	
OAV	•	•	•	•	•	•	•	
OAB	•	•	•	•	•	•	•	
OAN	•		•	•	•		•	
OAS				•	•			
OAS-R					•			
OCM	•	•	•	•	•		•	•
PTR			•	•	•		•	
ORP					•			•
PCR					•			•
CCH	•	•			•			
CCV	•	•			•			
NRA				•	•			
NRK				•	•			

- [▼ Aluminium grilles](#)
- [▼ Steel grilles](#)
- [▼ Steel grilles for round duct](#)
- [▼ Floor grilles](#)
- [▼ Ordering key](#)
- [▼ Installation](#)
- [▼ Diagrams](#)
- [▼ Maintenance](#)



ORDERING KEY

AIR DISTRIBUTION

ORDERING KEY

(1) Grille type (2) Damper (3) Installation subframe (4) Dimensions [mm] (5) Filter (6) Color

OAB-2-15 - L - UR - 425 x 125 - G2 - RAL

- (1) Grille type: **OAH, OAV, OAB, OAN, OAS, OAS-R, OCM, PTR, ORP, PCR, CCH, CCV**
 (4) Dimensions: **225-1225 x 125-525** [mm]
 (5) Filter: **G2 ili G4**
 (2) Damper: **L, S**
 (6) **RAL**
 (3) Installation subframe: **UR**
 Preparation for subframe: **PUR**

ORDERING KEY PLENUM BOX

(1) Plenum box type (2) Installation subframe (3) Dimensions [mm]

PK1 - UR - 525 x 225

- (1) Plenum box type: **PK1, PK2, PK3** (3) Dimensions: **225-1225 x 125-525** [mm]
 (2) Installation subframe: **UR**

*If plenum is ordered with UR, then grille should be ordered with the preparation for subframe - PUR

ORDERING KEY NRA, NRK

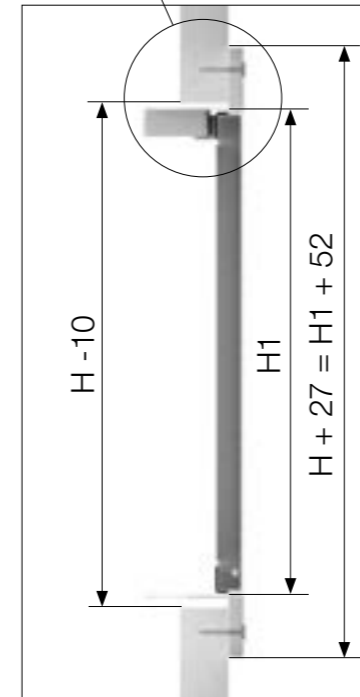
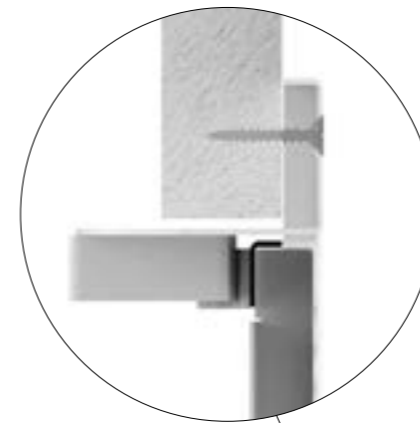
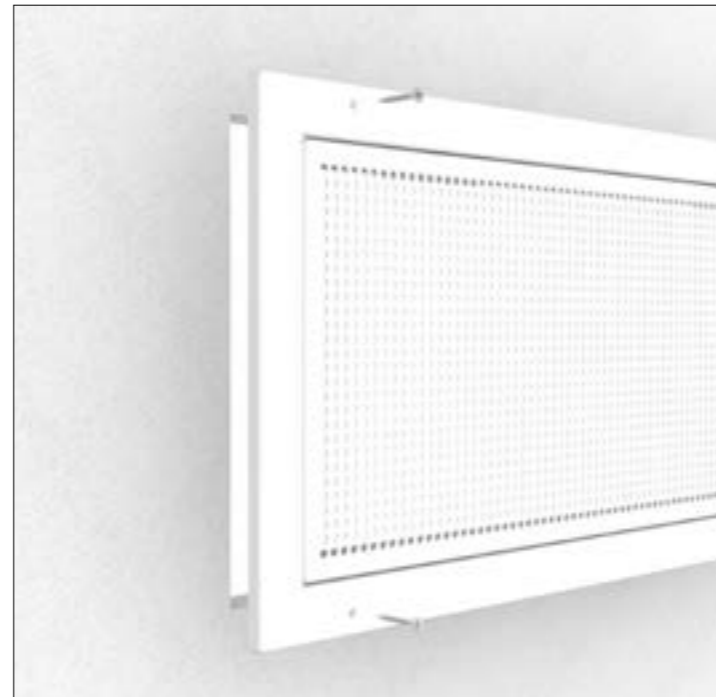
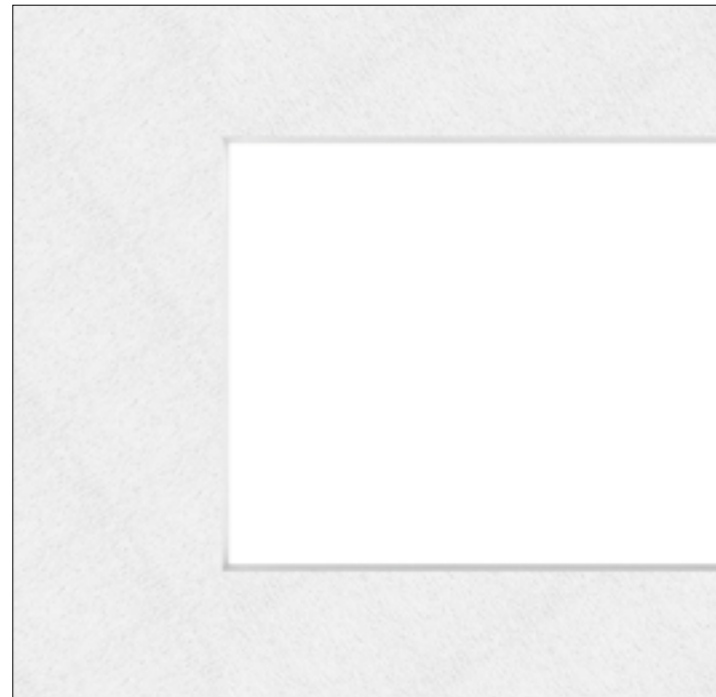
(1) Grille type (2) Installation frame (4) Dimensions [mm] (6) Color

NRA - UL - 425 x 125 - RAL

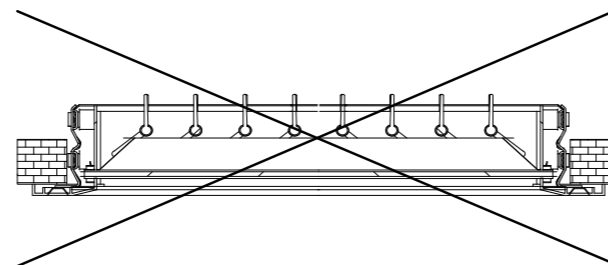
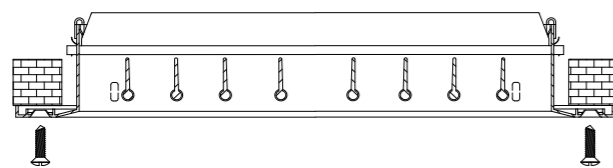
- (1) Grille type: **NRA, NRK**
 (2) Preparation for frame: **UL**
 *Installation frame is standard
 (3) Dimensions NRA: **200-1225 x 75-900** [mm]
 Dimensions NRK: **500-5000 x 254-444** [mm]
 (4) **RAL**

Installation instructions

Wall installation without subframe



Ceiling installation



Installation in the ceiling is only allowed with visible screws. Do not install the ventilation grilles in the ceiling with installation subframe”

* Screws are not supplied with grilles

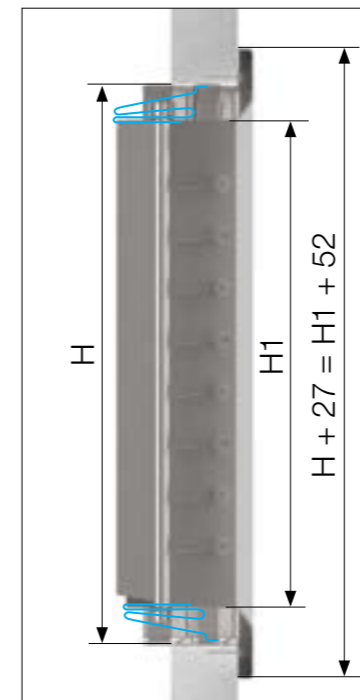
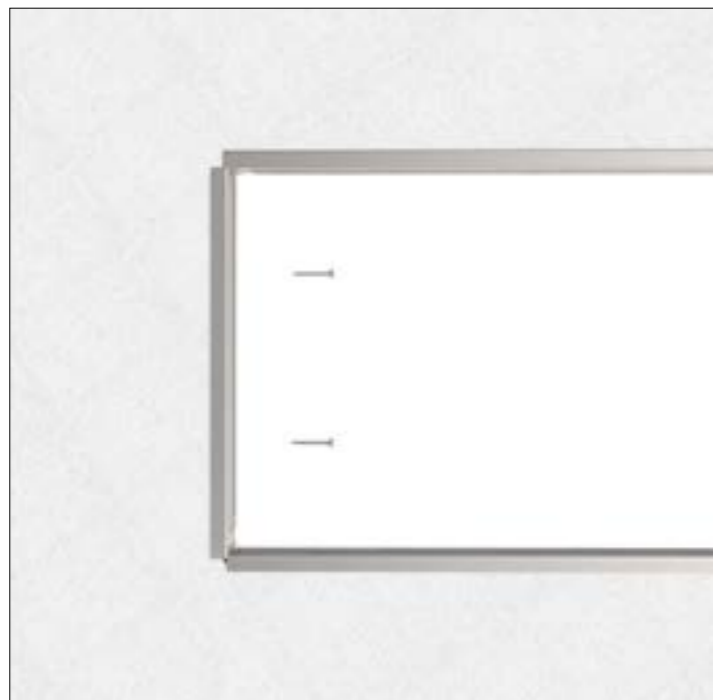
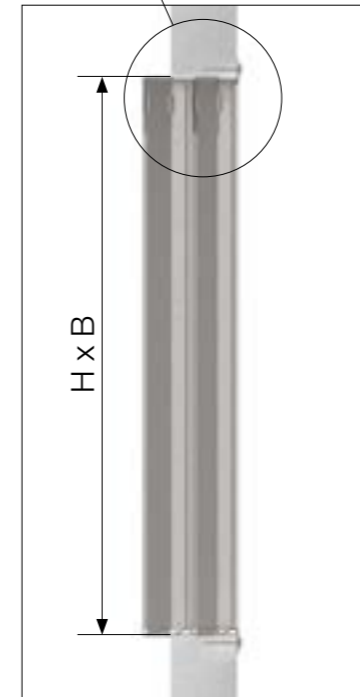
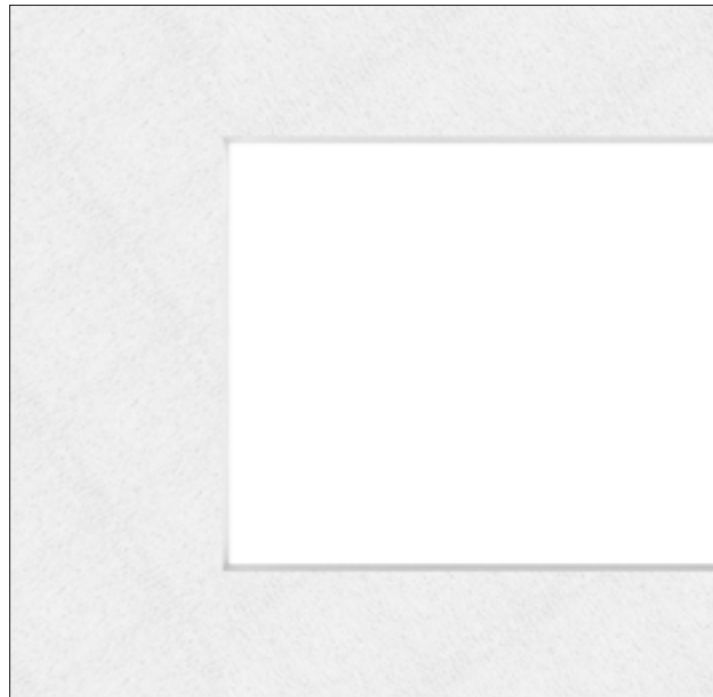
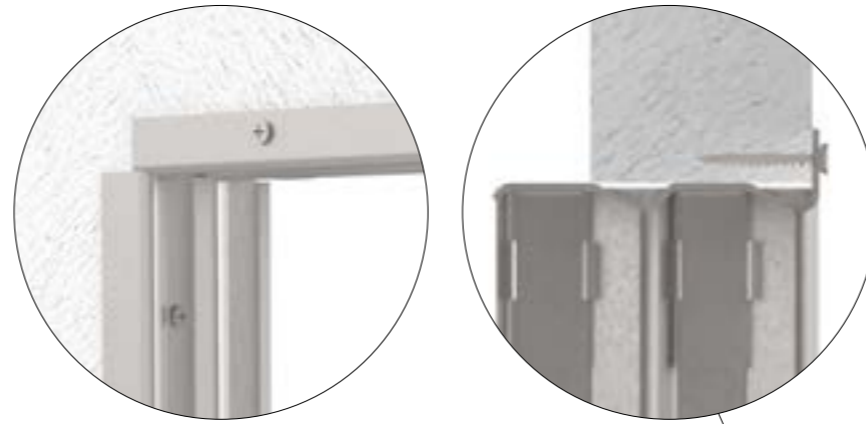
* Screws for grille fastening 3,9xL (DIN 7972, 7973, 7982, 7983)

- ▼ Aluminium grilles
- ▼ Steel grilles
- ▼ Steel grilles for round duct
- ▼ Floor grilles
- ▼ Ordering key
- ▼ Installation
- ▼ Diagrams
- ▼ Maintenance

INSTALLATION

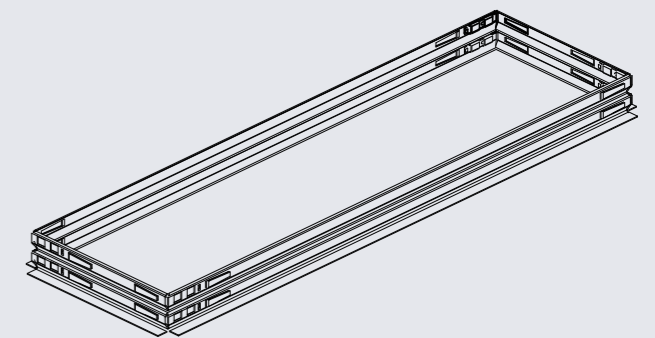
Installation instructions

Subframe installation



- ▼ [Aluminium grilles](#)
- ▼ [Steel grilles](#)
- ▼ [Steel grilles for round duct](#)
- ▼ [Floor grilles](#)
- ▼ [Ordering key](#)
- ▼ [Installation](#)
- ▼ [Diagrams](#)
- ▼ [Maintenance](#)

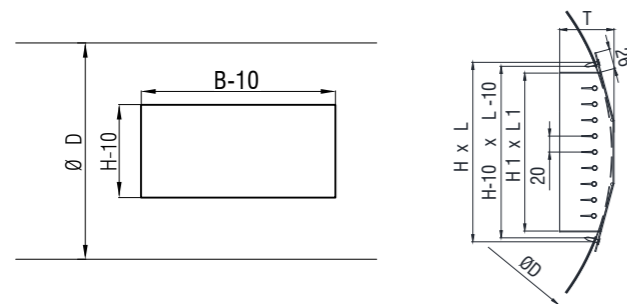
INSTALLATION



Installation instructions

CCV installation

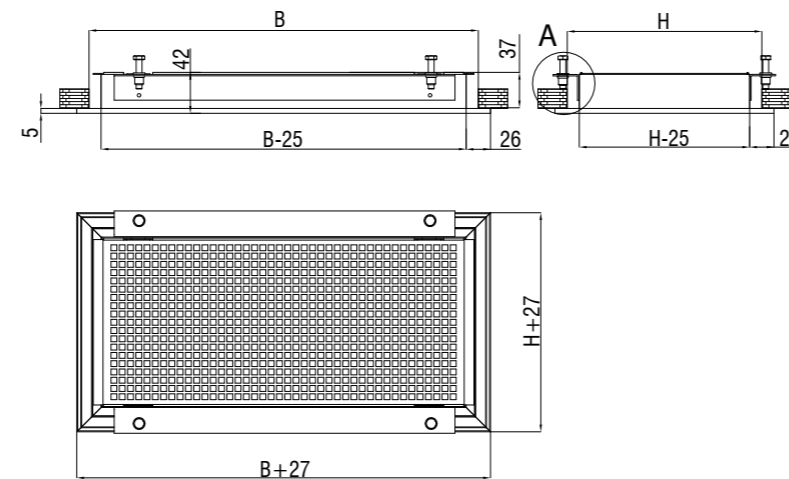
- Note: make sure that the grille height H fits for installation on a round duct with diameter $\varnothing D$



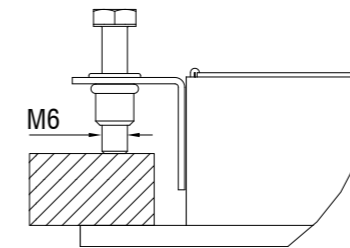
B [mm]	H [mm]	T [mm]	øD [mm]	B [mm]	H [mm]	T [mm]	øD [mm]	B [mm]	H [mm]	T [mm]	øD [mm]
225	x 75		150	225	x 125		300	225	x 225		600
325	x 75			325	x 125			325	x 225		
425	x 75			425	x 125			425	x 225		
525	x 75	40		525	x 125	45		525	x 225	55	
625	x 75			625	x 125			625	x 225		
825	x 75			825	x 125			825	x 225		
1125	x 75		400	1125	x 125		900	1125	x 225		2400

ORP installation

- First, the grille subframe is placed into the ceiling and then the bracelets suspension are fixed to the inner side of the ceiling.
- Perforated plate is then pushed through the installation subframe above the ceiling, to be finally lowered to the frame.

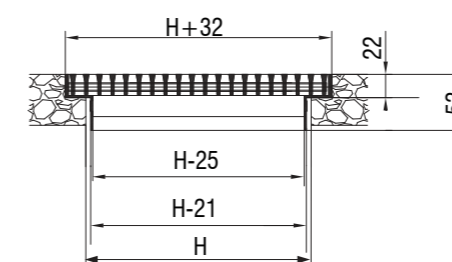
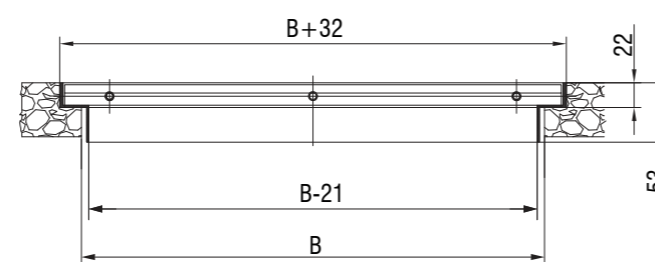
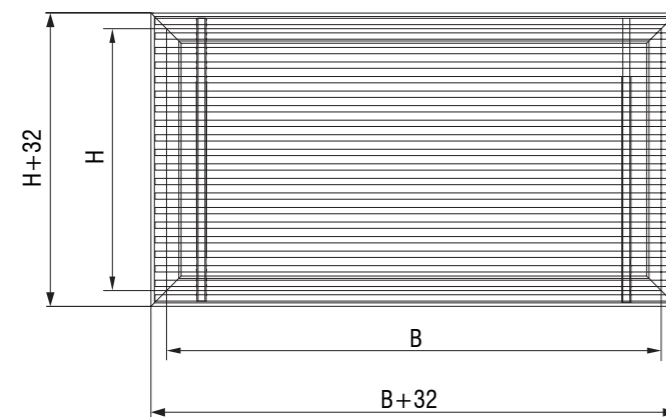


Detail A



NRA and NRK installation

- fix the frame in the floor opening
- grille core is laid loose in the frame so it can be easily removed



- ▼ Aluminium grilles
- ▼ Steel grilles
- ▼ Steel grilles for round duct
- ▼ Floor grilles
- ▼ Ordering key
- ▼ Installation
- ▼ Diagrams
- ▼ Maintenance

INSTALLATION

Installation instructions



Linear grilles OAV, OAB

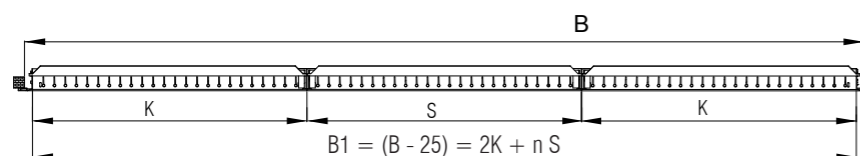
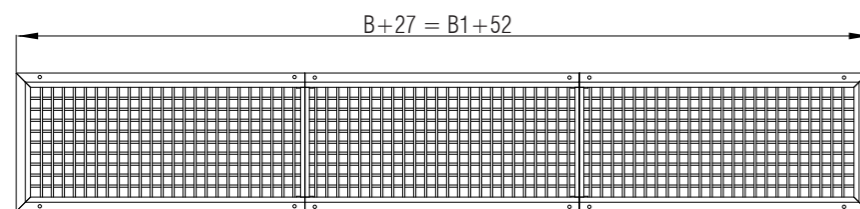
- for width more than 1225mm
- fixing with screws
- standard sizes H: 75, 125, 225, 325

OPTIONS

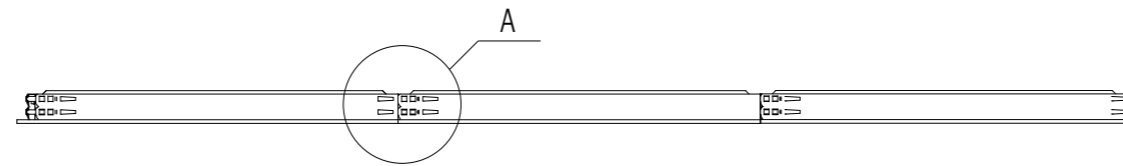
- installation subframe
- flow damper
- plenum box
- installation subframe and damper made from multiple parts

DIMENSIONS

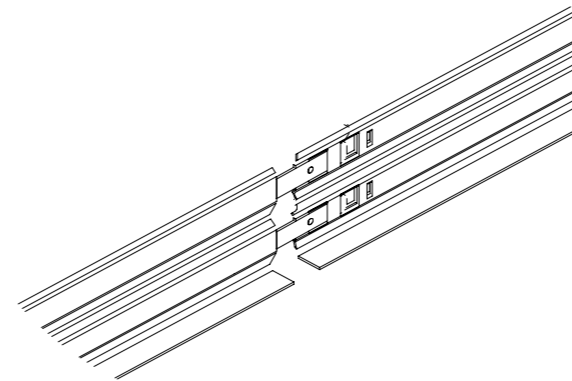
Linear grille (B > 1225mm)



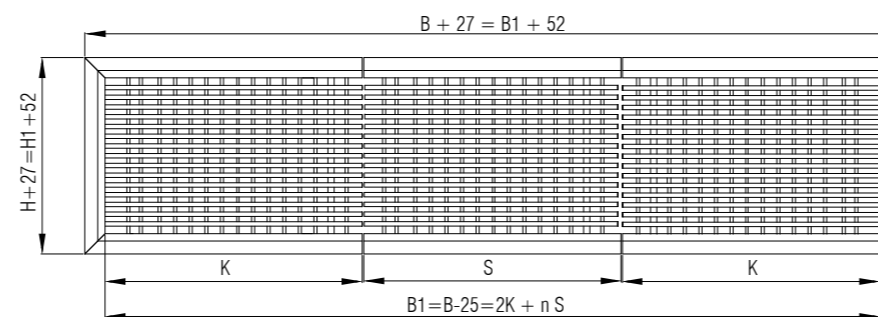
Inline connection of subframes



Detail A (subframe joint)



Linear grille OAB1-0 + BxH (B1 > 2400mm)



- * K – end section
- S – connecting section
- n – number of connecting sections
- (1200 < B1 < 2400) – two end sections
- (B1 > 2400) – two end sections and n connecting sections

- ▼ Aluminium grilles
- ▼ Steel grilles
- ▼ Steel grilles for round duct
- ▼ Floor grilles
- ▼ Ordering key
- ▼ Installation
- ▼ Diagrams
- ▼ Maintenance

INSTALLATION

One row of horizontal adjustable blades

Effective supply area
table- A_{ef} (m²)



[Online selection software](#)

OAH, OAV, CCH, CCV								
H ↓ B →	225	325	425	525	625	825	1025	1225
75	0,0070	0,0110	0,0150	0,0180	0,0220	0,0290	0,0360	0,0430
125	0,0150	0,0220	0,0290	0,0360	0,0440	0,0580	0,0730	0,0870
225	-	0,0410	0,0590	0,0730	0,0870	0,1160	0,1450	0,1740
325	-	-	0,0880	0,1090	0,1310	0,1740	0,2170	0,2610
425	-	-	-	-	0,1750	0,2320	0,2900	0,3480
525	-	-	-	-	-	-	0,3620	0,4340

OAB, NRA								
H ↓ B →	225	325	425	525	625	825	1025	1225
75	0,0060	0,0090	0,0110	0,0140	0,0170	0,0220	0,0280	0,0340
125	0,0110	0,0170	0,0220	0,0280	0,0340	0,0440	0,0550	0,0660
225	-	0,0340	0,0440	0,0550	0,0660	0,0870	0,1080	0,1290
325	-	-	0,0660	0,0810	0,0960	0,1290	0,1690	0,1930
425	-	-	-	-	0,1290	0,1690	0,2140	0,2560
525	-	-	-	-	-	-	0,2688	0,3264

OCM								
H ↓ B →	225	325	425	525	625	825	1025	1225
75								
125	0,0085	0,0128	0,0170	0,0213	0,0255	0,0340	0,0425	0,0510
225	0,0170	0,0255	0,0340	0,0425	0,0510	0,0680	0,0850	0,1020
325	0,0255	0,0383	0,0510	0,0638	0,0765	0,1020	0,1275	0,1530
425	0,034	0,0510	0,0680	0,0850	0,1020	0,1360	0,1700	0,2040
525	-	-	-	0,1063	0,1275	0,1700	0,2125	0,2550

PTR								
H ↓ B →	225	325	425	525	625	825	1025	1225
75	0,0070	0,0100	0,0140	0,0170	0,0210	0,0260	0,0340	0,0390
125	0,0130	0,0190	0,0250	0,0310	0,0380	0,0500	0,0630	0,0750
225	0,0240	0,0340	0,0500	0,0610	0,0740	0,0970	0,1210	0,1460
325	-	0,0520	0,0720	0,0880	0,1060	0,1390	0,1740	0,2080
425	-	-	0,0970	0,1200	0,1420	0,1880	0,2340	0,2610
525	-	-	-	0,1520	0,1800	0,2360	0,2920	0,3510

- ▼ Aluminium grilles
- ▼ Steel grilles
- ▼ Steel grilles for round duct
- ▼ Floor grilles
- ▼ Ordering key
- ▼ Installation
- ▼ Diagrams
- ▼ Maintenance

DIAGRAMS

Two rows of adjustable blades, horizontal(front) and vertical(rear)

Effective exhaust area
table- A_{ef} (m²)



[Online selection software](#)

OAH, OAV, CCH, CCV

H ↓ B →	225	325	425	525	625	825	1025	1225
75	0,006	0,009	0,011	0,014	0,016	0,022	0,028	0,033
125	0,011	0,016	0,022	0,028	0,033	0,044	0,055	0,066
225	-	0,033	0,044	0,055	0,066	0,090	0,110	0,134
325	-	-	0,066	0,083	0,100	0,134	0,170	0,200
425	-	-	-	-	0,134	0,180	0,220	0,270
525	-	-	-	-	-	-	0,280	0,340

OAB, NRA

H ↓ B →	225	325	425	525	625	825	1025	1225
75	0,006	0,009	0,011	0,014	0,016	0,022	0,028	0,033
125	0,011	0,016	0,022	0,028	0,033	0,044	0,055	0,066
225	-	0,033	0,044	0,055	0,066	0,090	0,110	0,134
325	-	-	0,066	0,083	0,100	0,134	0,170	0,200
425	-	-	-	-	0,134	0,180	0,220	0,270
525	-	-	-	-	-	-	0,280	0,340

OAK

H ↓ B →	225	325	425	525	625	825	1025	1225
75								
125	0,012	0,018	0,025	0,031	0,038	0,050	0,063	0,075
225	-	0,038	0,050	0,063	0,075	0,105	0,126	0,155
325	-	-	0,075	0,096	0,117	0,155	0,197	0,236
425	-	-	-	-	0,155	0,210	0,260	0,310
525	-	-	-	-	-	-	0,330	0,400

OAN

H ↓ B →	225	325	425	525	625	825	1025	1225
75	0,006	0,01	0,013	0,016	0,019	0,026	0,032	0,038
125	0,009	0,014	0,019	0,024	0,029	0,038	0,048	0,057
225	-	0,032	0,043	0,053	0,064	0,086	0,107	0,129
325	-	-	0,066	0,083	0,100	0,134	0,167	0,200
425	-	-	-	-	0,136	0,181	0,227	0,272
525	-	-	-	-	-	-	0,287	0,344

- ▼ [Aluminium grilles](#)
- ▼ [Steel grilles](#)
- ▼ [Steel grilles for round duct](#)
- ▼ [Floor grilles](#)
- ▼ [Ordering key](#)
- ▼ [Installation](#)
- ▼ [Diagrams](#)
- ▼ [Maintenance](#)

DIAGRAMS

Effective exhaust area
table- A_{ef} (m²)



[Online selection software](#)

		OCM						
H ↓ B →	225	325	425	525	625	825	1025	1225
75	-	-	-	-	-	-	-	-
125	0,0085	0,0128	0,0170	0,0213	0,0255	0,0340	0,0425	0,0510
225	0,0170	0,0255	0,0340	0,0425	0,0510	0,0680	0,0850	0,1020
325	0,0255	0,0383	0,0510	0,0638	0,0765	0,1020	0,1275	0,1530
425	0,0340	0,0510	0,0680	0,0850	0,1020	0,1360	0,1700	0,2040
525	-	-	-	0,1063	0,1275	0,1700	0,2125	0,2550

		PCR						
H ↓ B →	225	325	425	525	625	825	1025	1225
75	-	-	-	-	-	-	-	-
125	0,0049	0,0076	0,0103	0,0130	0,0158	0,0212	0,0266	0,320
225	-	0,0171	0,0232	0,0293	0,0354	0,0477	0,0599	0,0721
325	-	-	0,0361	0,0456	0,0551	0,0741	0,0932	0,1122
425	-	-	-	0,0619	0,0748	0,1006	0,1264	0,1522
525	-	-	-	0,0782	0,0945	0,1271	0,1597	0,1923

		OAS						
H ↓ B →	225	325	425	525	625	825	1025	1225
75	0,0040	0,0059	0,0079	0,0099	0,0119	0,0158	0,0199	0,0239
125	0,0079	0,0119	0,0158	0,0199	0,0239	0,0321	0,0397	0,0476
225	0,0158	0,0239	0,0318	0,0397	0,0476	0,0635	0,0794	0,0952
325	-	0,0357	0,0476	0,0598	0,0715	0,0952	0,1191	0,1429
425	-	-	0,0635	0,0794	0,0952	0,1270	0,1588	0,1905
525	-	-	-	0,1042	0,1240	0,1637	0,2034	0,2431

		ORP						
B [mm]	500	600	700	800	900	1000	1100	1200
H [mm]	500	600	700	800	900	1000	1100	1200
A_{EF} [m ²]	0,099	0,147	0,204	0,270	0,346	0,431	0,525	0,629

- ▼ [Aluminium grilles](#)
- ▼ [Steel grilles](#)
- ▼ [Steel grilles for round duct](#)
- ▼ [Floor grilles](#)
- ▼ [Ordering key](#)
- ▼ [Installation](#)
- ▼ [Diagrams](#)
- ▼ [Maintenance](#)

DIAGRAMS



- ▼ [Aluminium grilles](#)
- ▼ [Steel grilles](#)
- ▼ [Steel grilles for round duct](#)
- ▼ [Floor grilles](#)
- ▼ [Ordering key](#)
- ▼ [Installation](#)
- ▼ [Diagrams](#)
- ▼ [Maintenance](#)



TRANSPORT

After arrival, check the ventilation grill for transport damage and shortcomings. In case of any damage or shortcomings, immediately contact your supplier.

STORAGE

If the product is not installed immediately:

- Remove any wrapping.
- Protect product from dust and contamination.
- Do not expose the damper to the effects of weather, store the damper in a dry place.

Please properly dispose of packaging material!

MAINTENANCE AND OPERATION

Klimaoprema ventilation grilles are designed as such do not require cleaning and regular maintenance. However, grills damper mechanism should be systematically cleaned for proper operation.

- Provide a systematic cleaning of dust
- Cleaning instruction: clean with a sponge, with water or a mild detergent

COMMISSIONING

- Carefully unpack - be careful of sharp edges and do not use excessive force for unpacking
- Ensure that all grilles are clean and free from residues and foreign matter.
- Ensure that the devices have been correctly installed
- Before commissioning: check the product functions



VENTILATION GRILLES

Projektiranje, proizvodnja i održavanje opreme za klimatizaciju, ventilaciju i čiste prostore.
Design, production and service of Ventilation, Air-Conditioning and Clean room equipment.

-  Gradna 78A, 10430 Samobor, Croatia
-  +385 (0)1 33 62 513
-  info@klimaoprema.com
-  www.klimaoprema.com