

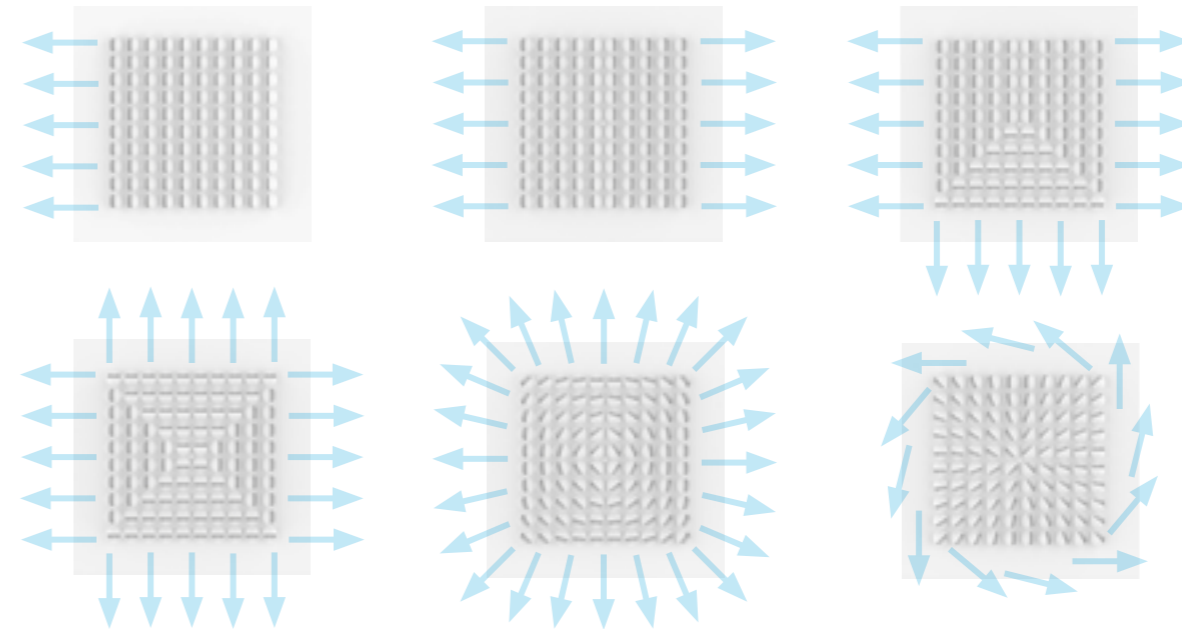
Product manual

# Adjustable nozzle diffusers

DOS

Air distribution

Version 1.0.0  
Date: 09.04.2024.



**DOS**

- Ceiling nozzle diffuser for room heights up to 4 m
- Made out of steel sheet, standard RAL 9010
- Individually adjustable discharge elements
- Fixing with visible screws

Options

- RAL...
- Plenum box

▼ SOLVEAIR ▼ ORDERING KEY ▼ DIAGRAM

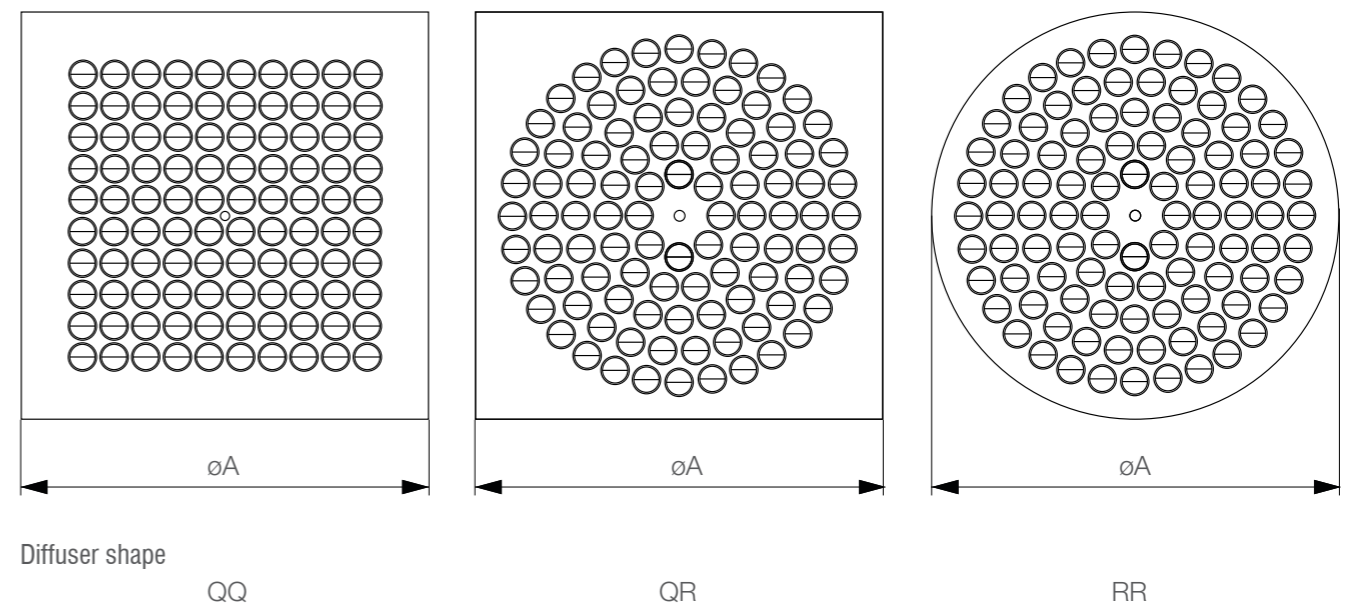


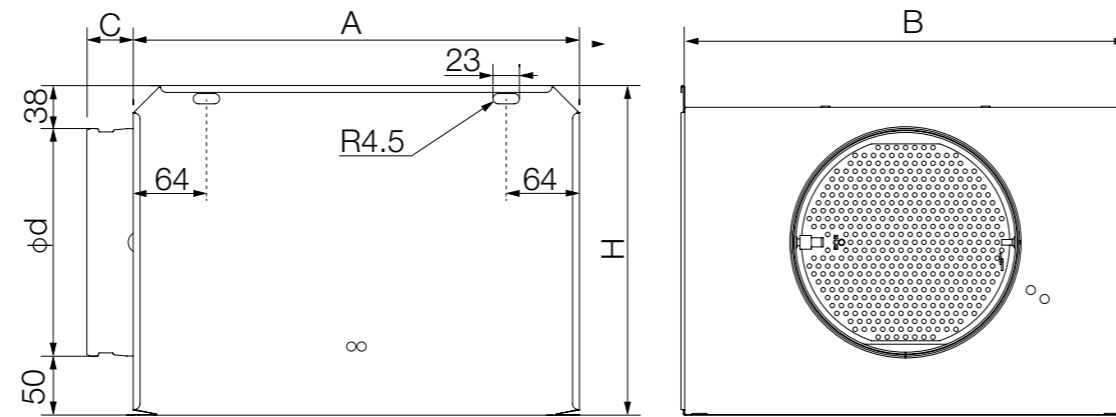
MODELS

AIR DISTRIBUTION

Dimensions

| Size  | 300    |        |        | 400    |        |        | 500    |        |        | 600    |        |        | 625    |        |        |
|---|--------|--------|--------|--------|--------|--------|--------|--------|--------|--------|--------|--------|--------|--------|--------|
| Shape   | QQ     | QR     | RR     | QQ     | QR     | RR     | QQ     | QR     | RR     | QQ     | QR     | RR     | QQ     | QR     | RR     |
| ø A   | 295    | 295    | 298    | 395    | 395    | 398    | 495    | 495    | 498    | 595    | 595    | 595    | 620    | 620    | 623    |
| No. of nozzles                                    | 16     | 18     | 18     | 24     | 36     | 36     | 48     | 58     | 58     | 80     | 86     | 86     | 80     | 86     | 86     |
| $A_{ef} \text{ (nozzles} \times A_p) \text{ m}^2$ | 0,0083 | 0,0094 | 0,0094 | 0,0125 | 0,0187 | 0,0187 | 0,0250 | 0,0302 | 0,0302 | 0,0416 | 0,0447 | 0,0447 | 0,0416 | 0,0447 | 0,0447 |
| Plenum box dimensions                             |        |        |        |        |        |        | PBQ    |        |        | PBR    |        |        |        |        |        |
|   | 300    |        |        | 400    |        |        | 500    |        |        | 600    |        |        | 625    |        |        |
|   | 300    |        |        | 400    |        |        | 500    |        |        | 600    |        |        | 625    |        |        |
|   | 400    |        |        | 500    |        |        | 600    |        |        | 625    |        |        |        |        |        |
|   | 500    |        |        | 600    |        |        | 625    |        |        |        |        |        |        |        |        |
|   | 600    |        |        | 625    |        |        |        |        |        |        |        |        |        |        |        |
|   | 625    |        |        |        |        |        |        |        |        |        |        |        |        |        |        |



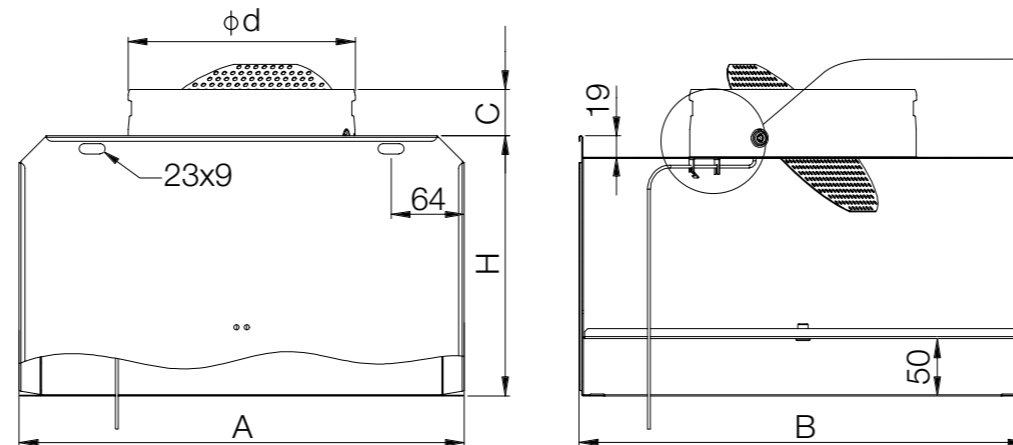


### PBQ-H

- Square plenum box design
- Horizontal duct connection
- Vertical duct connection
- Fixing with a central screw
- Manual flow adjustment via cable mechanism
- Possible with 5mm internal insulation

| Model | Ød  | AxB         | H   | C    |
|-------|-----|-------------|-----|------|
| 300   | 160 | 290 x 292,5 | 248 | 40,5 |
| 400   | 200 | 390 x 392,5 | 288 | 40,5 |
| 500   | 200 | 490 x 492,5 | 288 | 40,5 |
| 600   | 250 | 590 x 592,5 | 338 | 40,5 |
| 625   | 250 | 615 x 617,5 | 338 | 40,5 |

- ▶ SOLVEAIR
- ▶ ORDERING KEY
- ▶ DIAGRAM

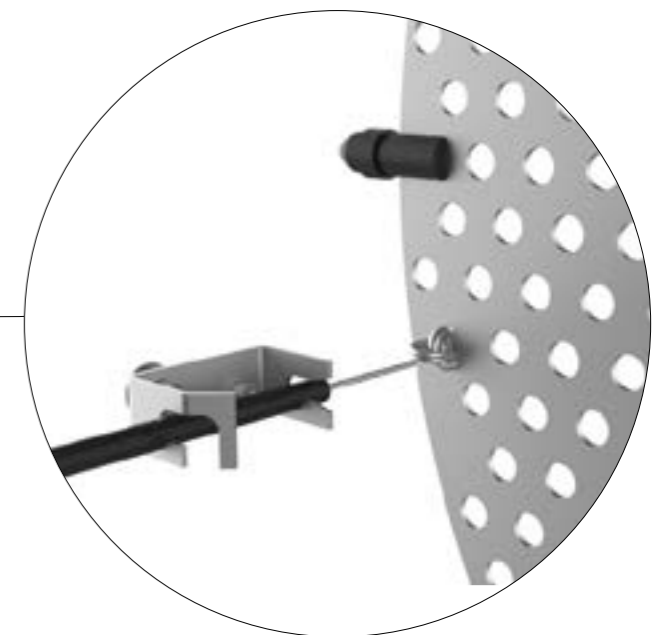


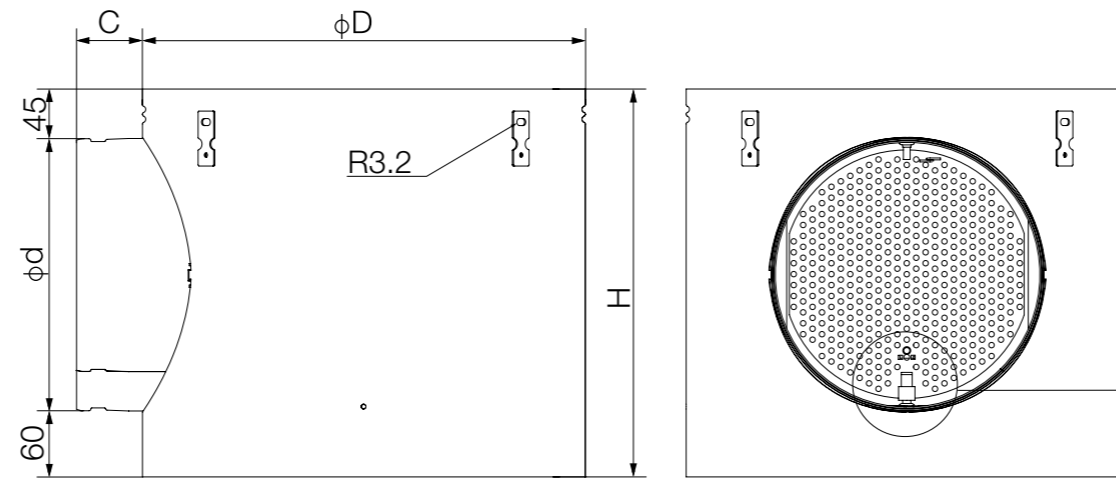
### PBQ-V

- Square plenum box design
- Vertical duct connection
- Fixing with a central screw
- Manual flow adjustment via cable mechanism
- Possible with 5mm internal insulation

| Model | Ød  | AxB         | H   | C    |
|-------|-----|-------------|-----|------|
| 300   | 160 | 290 x 292,5 | 228 | 40,5 |
| 400   | 200 | 390 x 392,5 | 228 | 40,5 |
| 500   | 200 | 490 x 492,5 | 228 | 40,5 |
| 600   | 250 | 590 x 592,5 | 228 | 40,5 |
| 625   | 250 | 615 x 617,5 | 228 | 40,5 |

▶ PLENUM BOXES





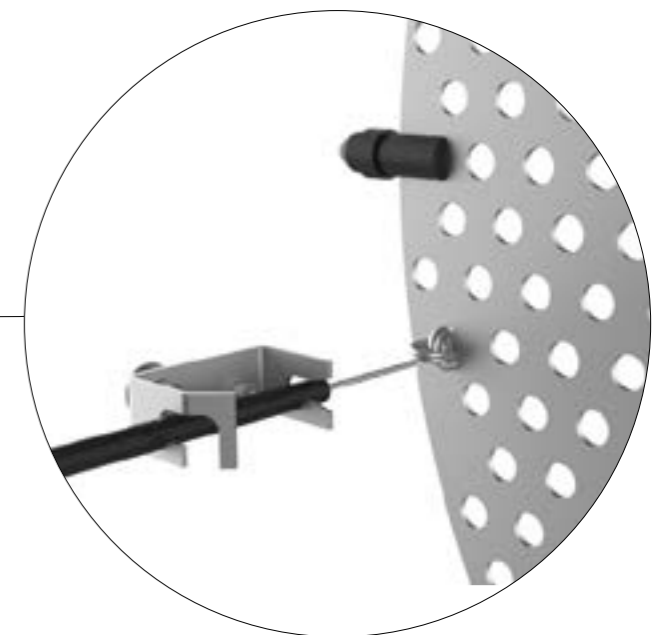
### PBR

- Plenum box for round diffusor plates
- Round plenum with horizontal spigot connection
- Available in RAL, suitable for visible installation
- Fixing with a central screw
- Manual flow adjustment via cable mechanism
- Possible with 5mm internal insulation

| Model | ØD  | Ød  | H   | C  |
|-------|-----|-----|-----|----|
| 300   | 284 | 158 | 263 | 60 |
| 400   | 384 | 198 | 303 | 60 |
| 500   | 484 | 198 | 303 | 60 |
| 600   | 590 | 248 | 353 | 60 |
| 625   | 615 | 248 | 353 | 60 |

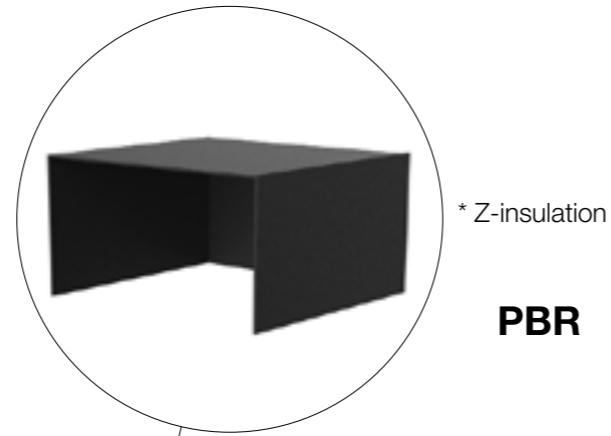
- ▶ SOLVEAIR
- ▶ ORDERING KEY
- ▶ DIAGRAM

### PLENUM BOXES

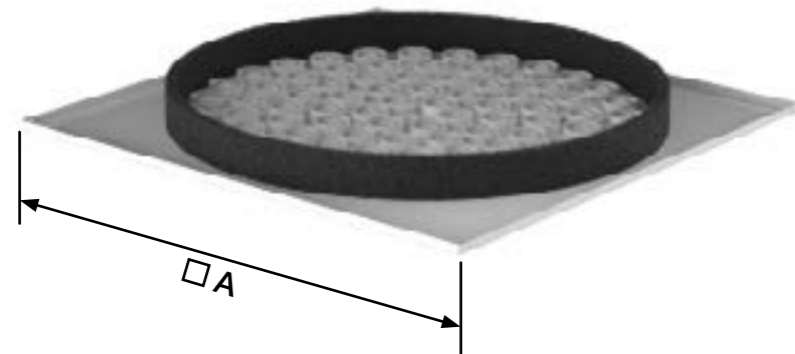


Ordering keys

PBQ-H / PBQ-V



Diffuser



- ▼ SOLVEAIR      ▼ DIAGRAM
- ▼ ORDERING KEY

ORDERING KEYS

(1) Plenum box    (2) Size A    (3) Insulation

PBQ-H - 600 - Z

- (1) **PBQ-H** - Ractangular plenum box  
**PBQ-V** - Ractangular plenum box  
**PBR** - Cilindrical plenum box
- (2) Size: 300, 400, 500, 600 i 625
- (3) Insulation: Z  
\*Z1 - polyethylene FRM 5mm insulation  
\*Z2 - I-Fiber 20mm insulation

\* For PBR plenum box

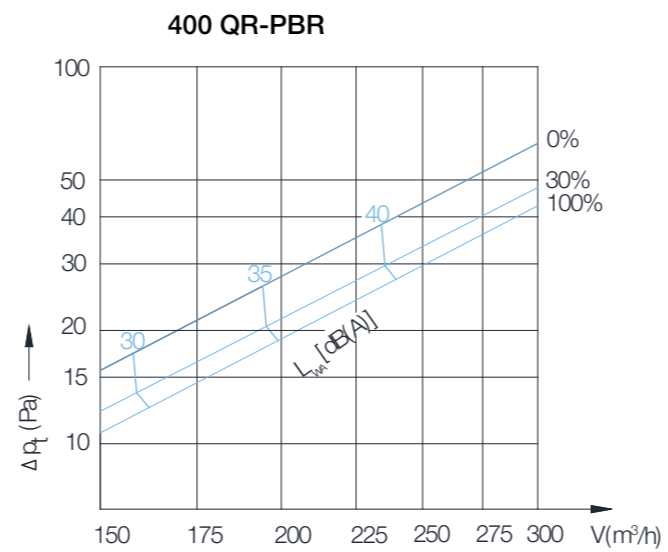
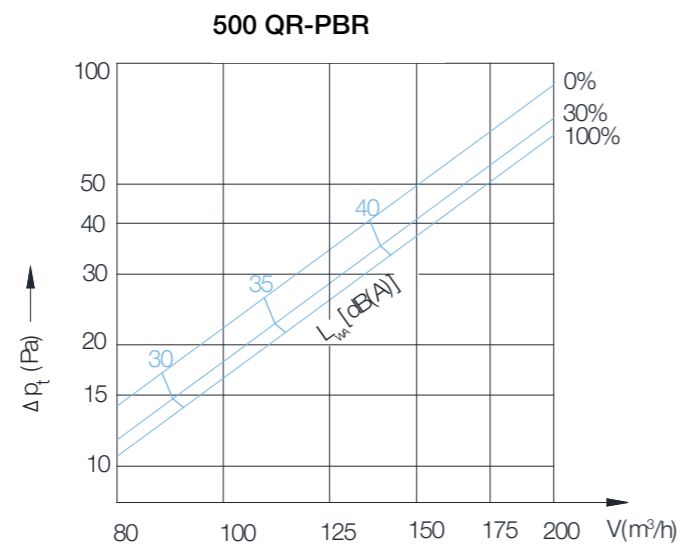
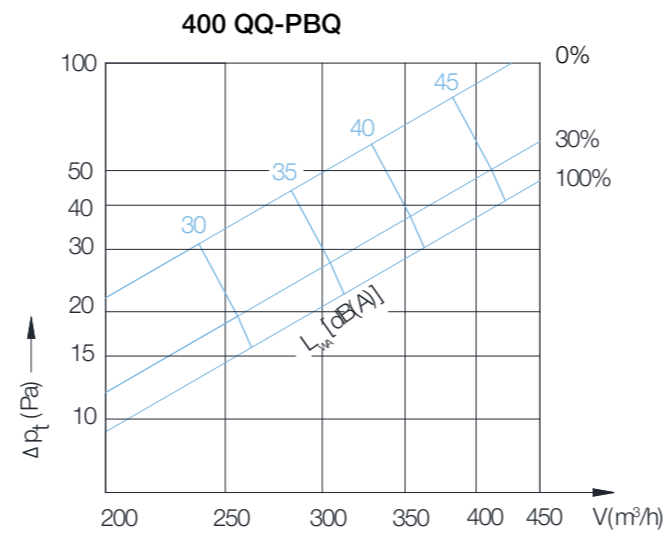
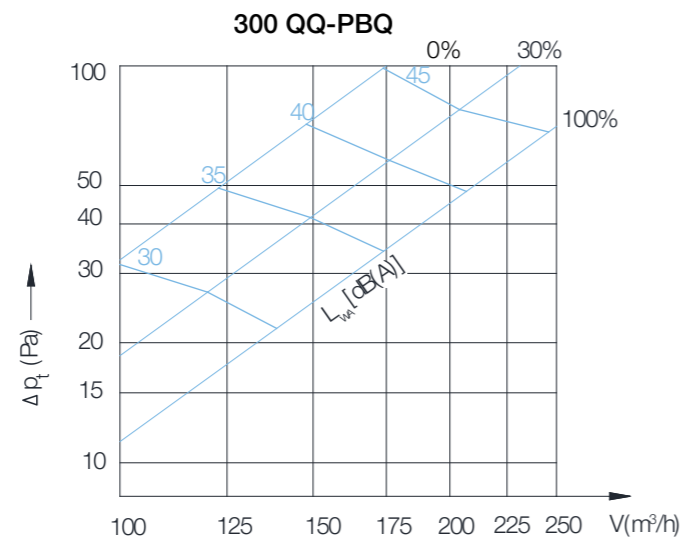
(1) Diffuser plate    (2) Patern shape -    (3) Diffuser size / Pattern size  
Diffuser shape

DOS - Q - Q - 600/600

- (1) **DOR** ceiling swirl Diffuser
- (2) **Q - Q** - rectangular shape / rectangular patern  
**R - Q** - rectangular shape / circulare patern  
**R - R** - cylindrical shape / circulare patern
- (3) Possibility to order different pattern size for same diffuser size  
300/300  
400/400  
500/500  
600/600  
625/625

Ød-2 Connection diameter  
ØD Cylindrical plate size  
A Nominal plate size

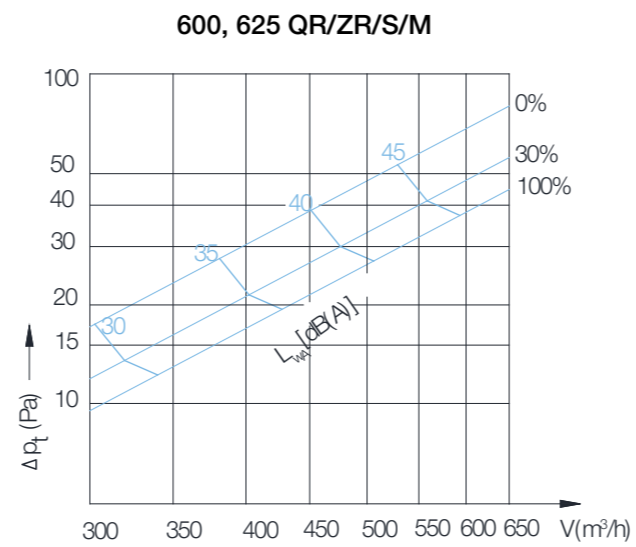
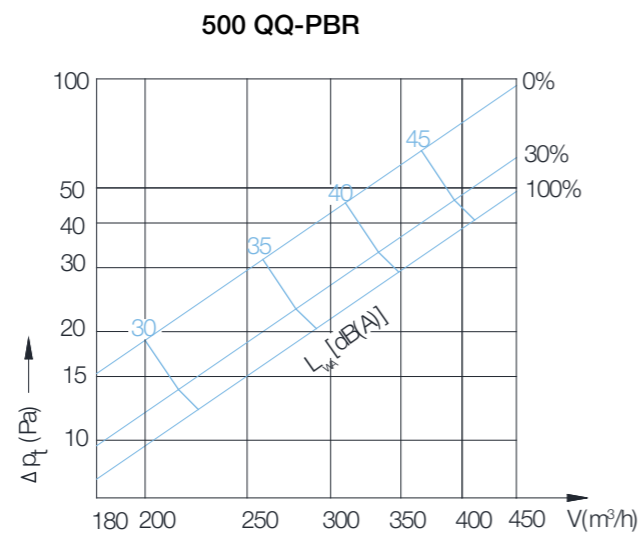
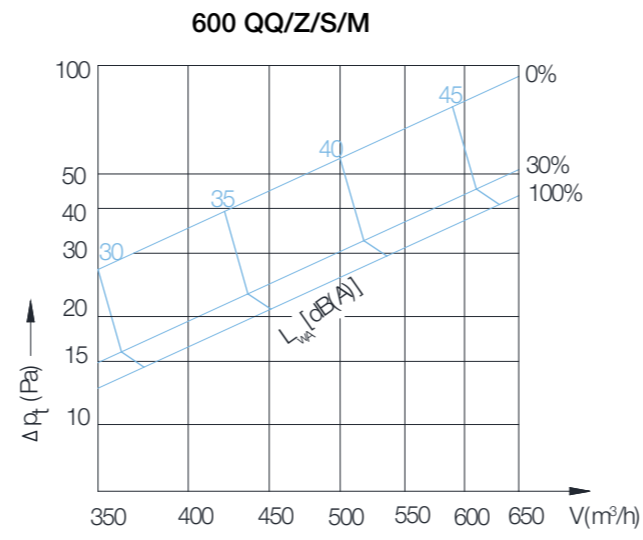
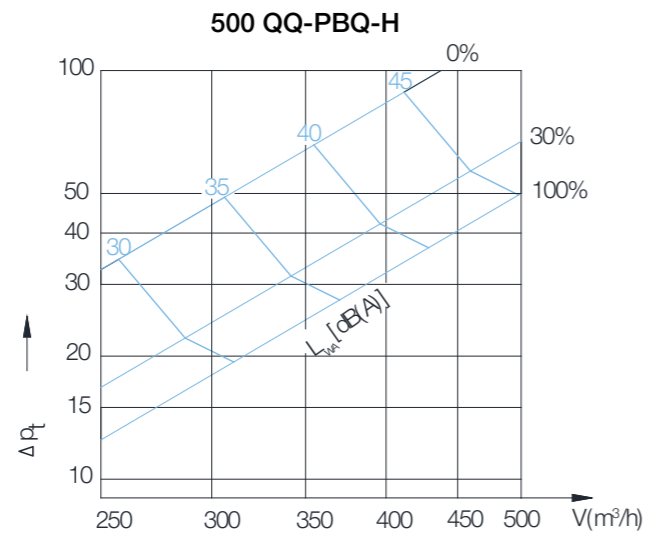
Quick selection diagram



- ▶ SOLVEAIR      ▶ DIAGRAM
- ▶ ORDERING KEY

☰ DIAGRAMS

Quick selection diagram



- ▶ SOLVEAIR      ▶ DIAGRAM
- ▶ ORDERING KEY

☰ DIAGRAMS



## AIR DISTRIBUTION

---

Projektiranje, proizvodnja i održavanje opreme za klimatizaciju, ventilaciju i čiste prostore.  
Design, production and service of Ventilation, Air-Conditioning and Cleanroom equipment.

---

- 📍 Gradna 78A, 10430 Samobor, Croatia
- ☎ +385 (0)1 33 62 513
- ✉ info@klimaoprema.com
- 🌐 www.klimaoprema.com