

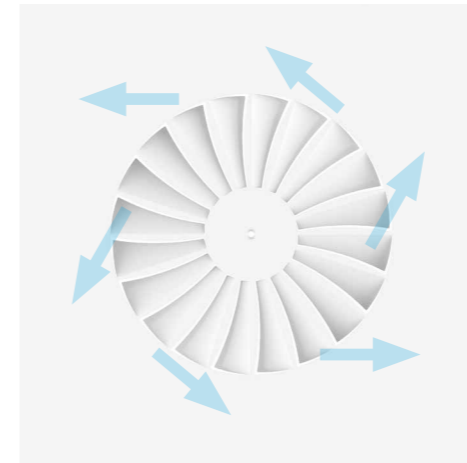
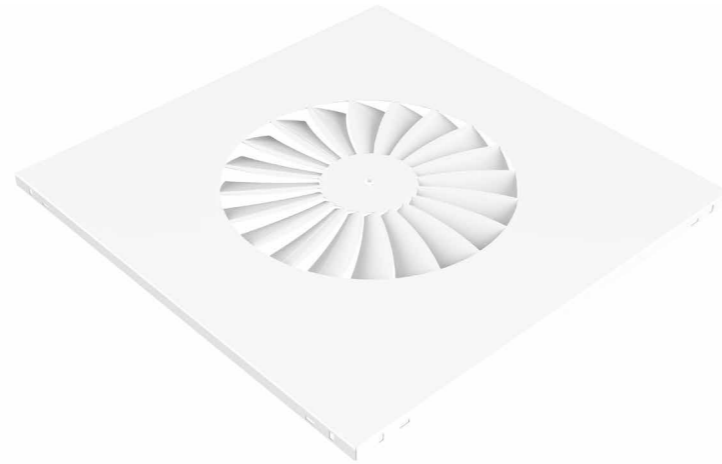
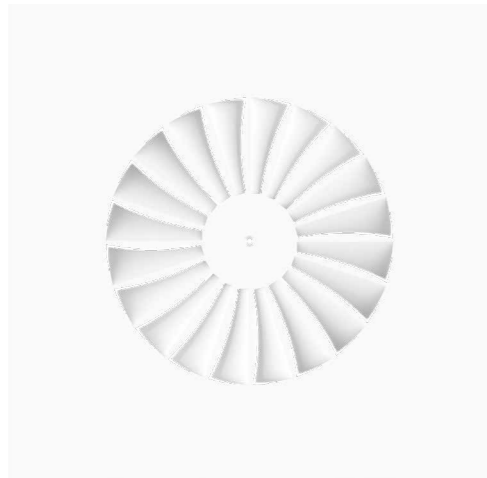
Product manual

# Diffusers

DVF

Air distribution

Version 1.0.0  
Date: 09.04.2024.

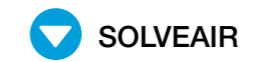


### DVF

- Ceiling diffuser for room heights from 2,3 to 4m.
- Frame and blades made out of steel sheet, standard RAL 9010
- Fixed blades
- Fixing with central screw

### Options

- RAL...
- Plenum box



### MODELS

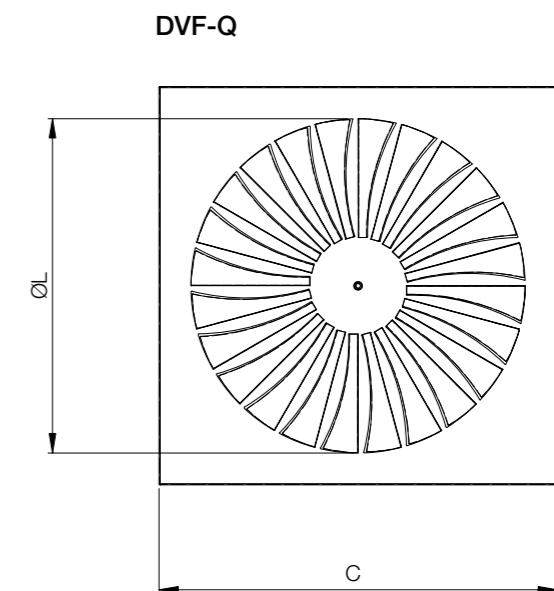
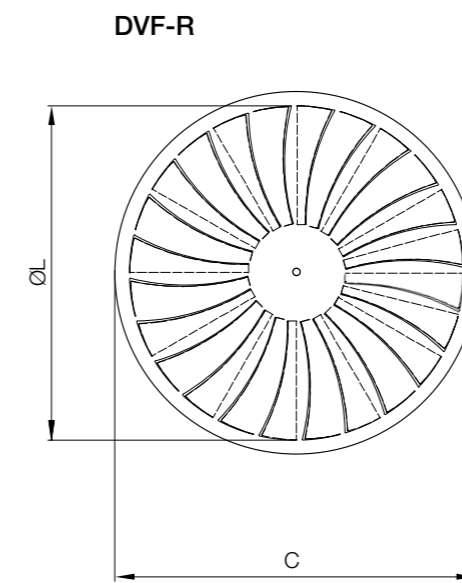
### AIR DISTRIBUTION

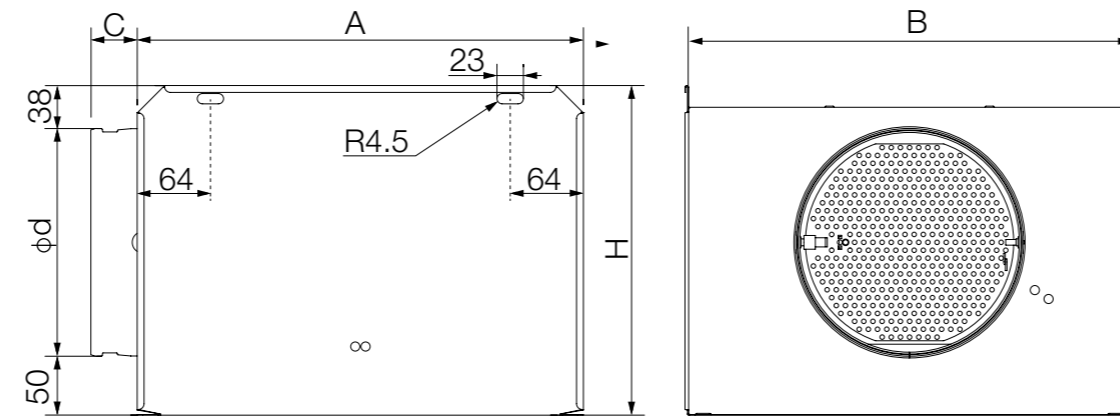
#### Dimensions

Size	ØC [mm]	∇C [mm]	ØL [mm]	A <sub>ef</sub> [m <sup>2</sup> ]
300	298	295	244	0,0155
400	398	395	320	0,0264
500	498	495	420	0,0414
600	595	595	520	0,0590
625	595	620	520	0,0590

Plenum box dimensions	PBQ	PBR
300	300	300
400	400	400
500	500	500
600	600	600
625	600	600





### PBQ-H

- Square plenum box design
- Horizontal duct connection
- Vertical duct connection
- Fixing with a central screw
- Manual flow adjustment via cable mechanism
- Possible with 5mm internal insulation

Model	Ød	AxB	H	C
300	160	290 x 292,5	248	40,5
400	200	390 x 392,5	288	40,5
500	200	490 x 492,5	288	40,5
600	250	590 x 592,5	338	40,5
625	250	615 x 617,5	338	40,5



SOLVEAIR



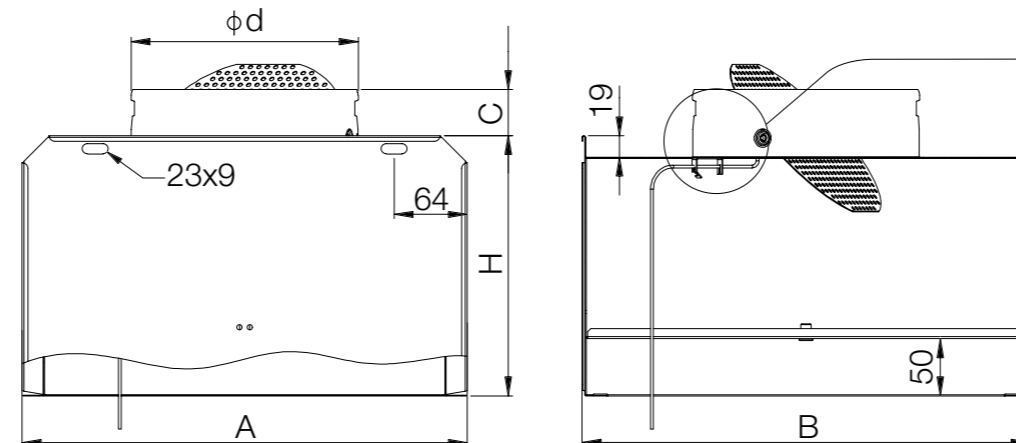
DIAGRAM



ORDERING KEY



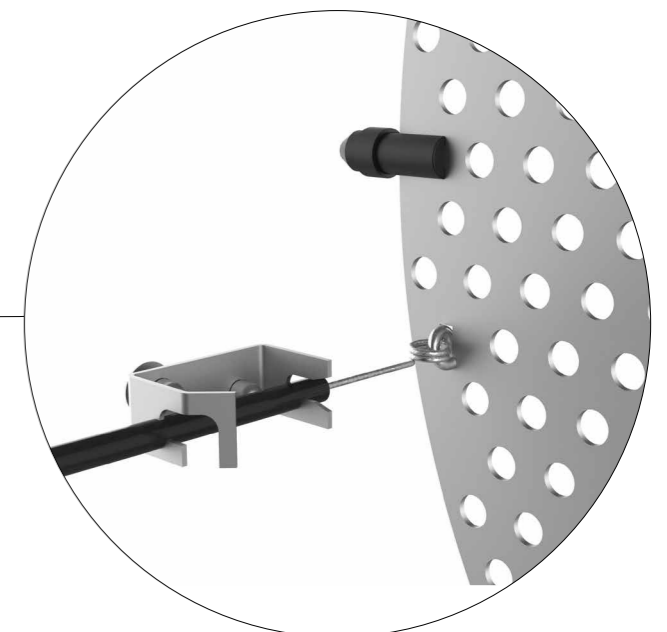
PLENUM BOXES

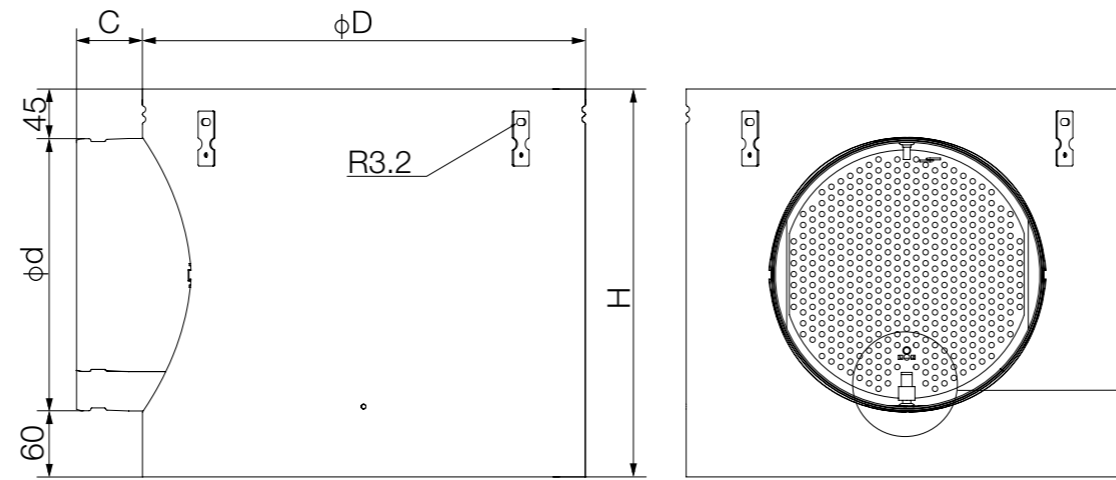


### PBQ-V

- Square plenum box design
- Vertical duct connection
- Fixing with a central screw
- Manual flow adjustment via cable mechanism
- Possible with 5mm internal insulation

Model	Ød	AxB	H	C
300	160	290 x 292,5	228	40,5
400	200	390 x 392,5	228	40,5
500	200	490 x 492,5	228	40,5
600	250	590 x 592,5	228	40,5
625	250	615 x 617,5	228	40,5





### PBR

- Plenum box for round diffusor plates
- Round plenum with horizontal spigot connection
- Available in RAL, suitable for visible installation
- Fixing with a central screw
- Manual flow adjustment via cable mechanism
- Possible with 5mm internal insulation

Model	ØD	Ød	H	C
300	284	158	263	60
400	384	198	303	60
500	484	198	303	60
600	590	248	353	60
625	615	248	353	60

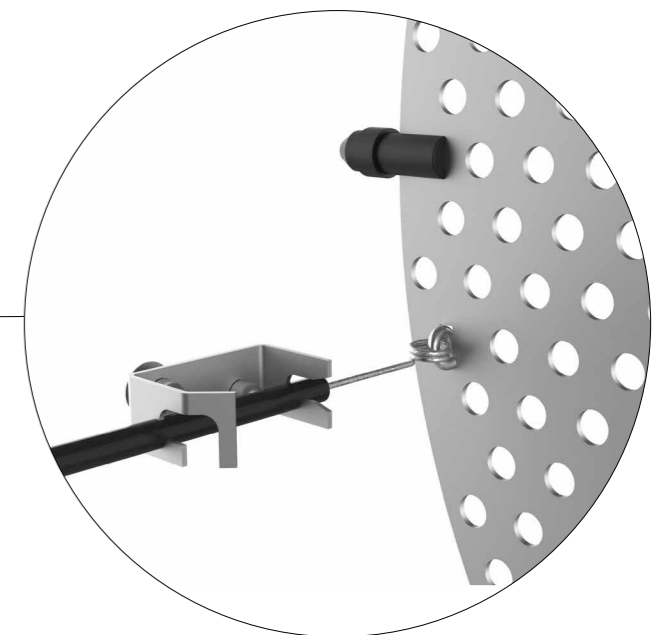
▼ SOLVEAIR

▼ DIAGRAM

▼ ORDERING KEY



PLENUM BOXES

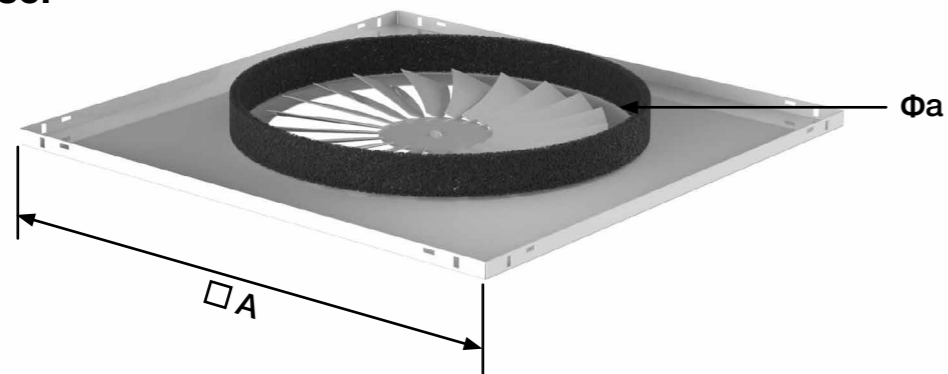


Ordering keys

**PBQ-H / PBQ-V**



**Diffuser**



(1) Plenum box (2) Size (3) Insulation

PBQ-H	-	600	-	Z
-------	---	-----	---	---

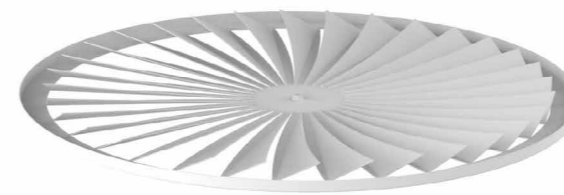
(1) **PBQ-H** - rectangular plenum box  
**PBQ-V** - rectangular plenum box

(2) **PBR** - cylindrical plenum box

(3) Size **300, 400, 500, 600**

Insulation: **Z**

**PBR**



(1) Diffuser shape (2) Size (3) RAL

DVF-R	-	600	-	4007
-------	---	-----	---	------

(1) **DVF-Q** - rectangular shape  
**DVF-R** - cylindrical shape

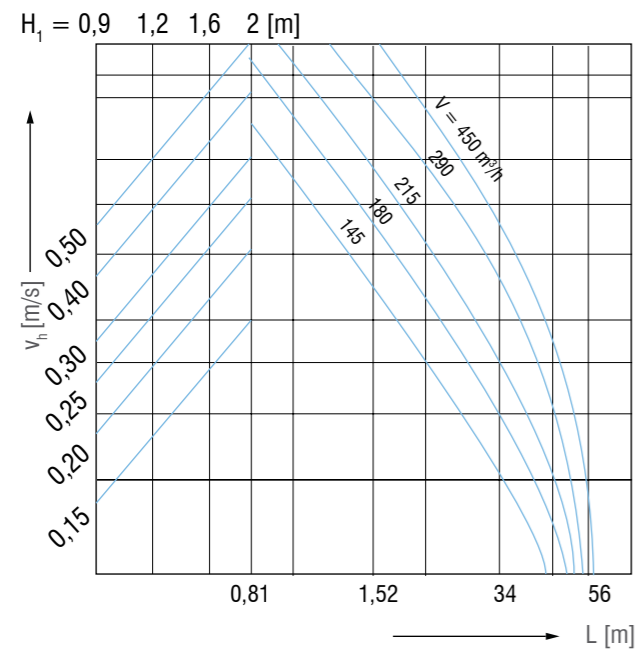
(2) Diffuser size **300, 400, 500, 600**

(3) **RAL**

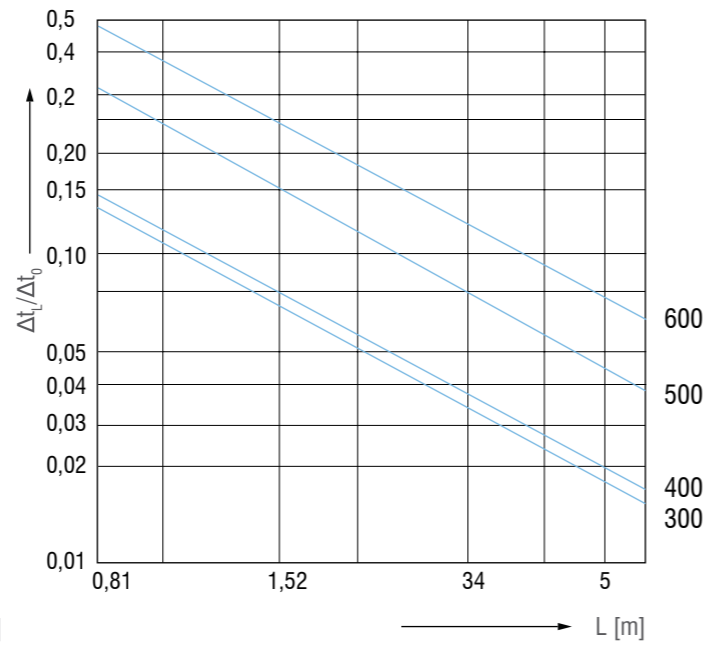
- ▼ SOLVEAIR      ▼ DIAGRAM
- ▼ ORDERING KEY

ORDERING KEYS

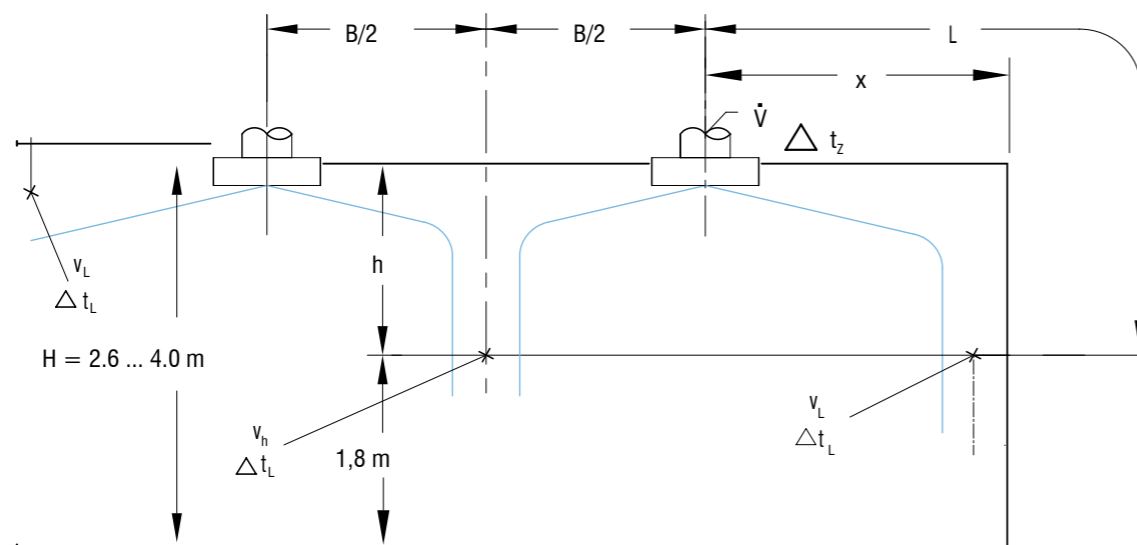
Core jet velocity



Temperature ratio at a distance L



Discharge diagram



- ▶ SOLVEAIR
- ▶ ORDERING KEY
- ▶ DIAGRAM

DIAGRAMS



## AIR DISTRIBUTION

---

Projektiranje, proizvodnja i održavanje opreme za klimatizaciju, ventilaciju i čiste prostore.  
Design, production and service of Ventilation, Air-Conditioning and Cleanroom equipment.

---

-  Gradna 78A, 10430 Samobor, Croatia
-  +385 (0)1 33 62 513
-  [info@klimaoprema.com](mailto:info@klimaoprema.com)
-  [www.klimaoprema.com](http://www.klimaoprema.com)