

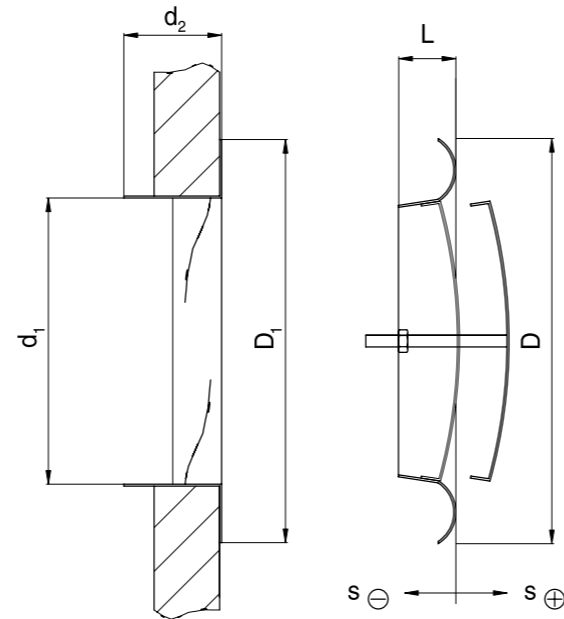
Product manual

Air valves ventilation grille

ZOV, ZOT

Air distribution

Version 1.0.0
Date: 20.10.2023.



ZOV Exhaust air valve

- For air exhaust applications in sanitary areas
- Made of steel sheet, standard powder coating in RAL 9010
- Adjustable airflow rate

- Options
- RAL

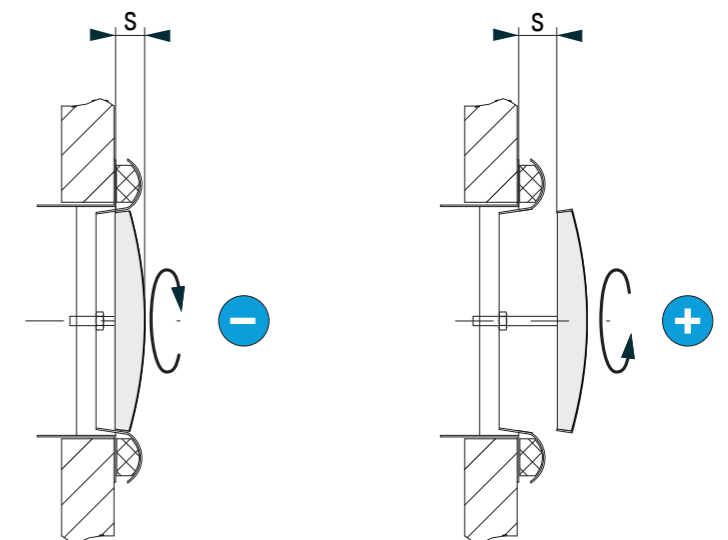
▼ SOLVEAIR ▼ ORDERING KEY ▼ DIAGRAM

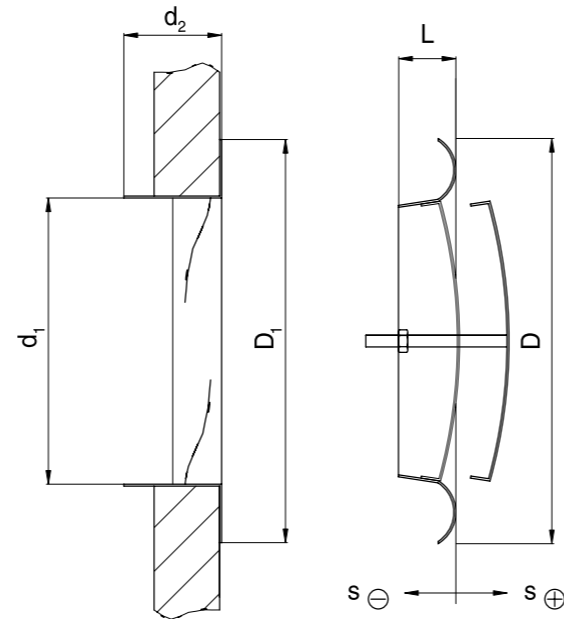
Dimensions

ZOV					
Model	øD [mm]	ød1 [mm]	d2 [mm]	L [mm]	øD1 [mm]
100	137	98	50	28	130
125	161	123	50	29	155
150	208	148	50	30	180
160	218	158	50	31	190
200	248	198	50	33	236

Airflow adjustment is done by rotating the valve disc in positive or negative direction

- ← s ⇒ +





ZOT Supply air valve

- For air supply applications in sanitary areas
- Made of steel sheet, standard powder coating in RAL 9010
- Adjustable airflow rate

- Options
- RAL

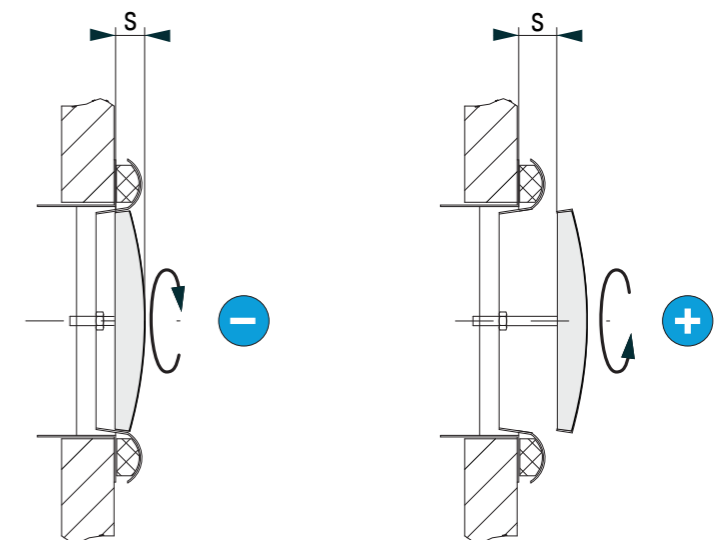
▼ SOLVEAIR ▼ ORDERING KEY ▼ DIAGRAM

Dimensions

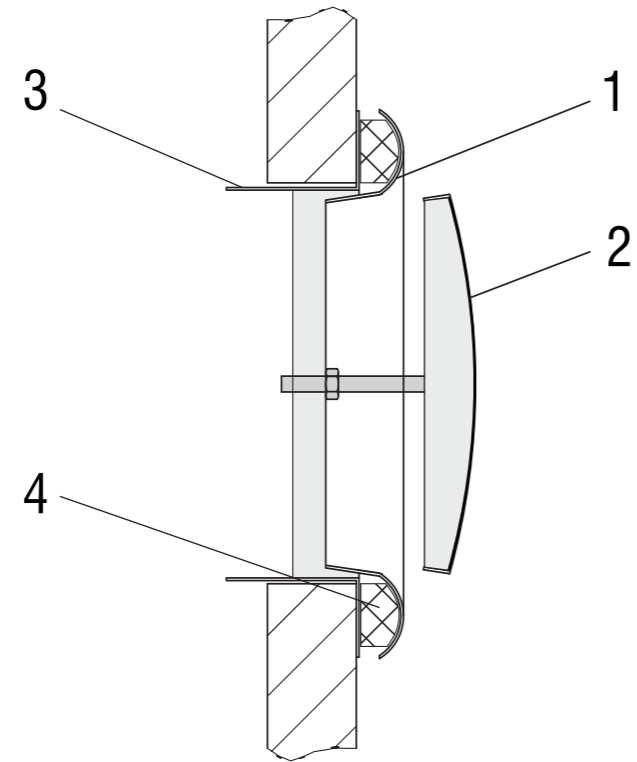
ZOT					
Model	øD [mm]	ød1 [mm]	d2 [mm]	L [mm]	øD1 [mm]
100	137	98	50	28	130
125	161	123	50	29	155
150	208	148	50	30	180
160	218	158	50	31	190
200	248	198	50	33	236

Airflow adjustment is done by rotating the valve disc in positive or negative direction

- ← s ⇒ +



ZOV air valve installation



1. Air valve casing
2. Valve disc
3. Installation subframe
4. Foam seal

- Air valve casing "1" is placed in installation subframe "3" and turned right.
- Airflow adjustment is done by rotating the valve disc "2" left or right.



SOLVEAIR



DIAGRAM



ORDERING KEY



ORDERING KEY

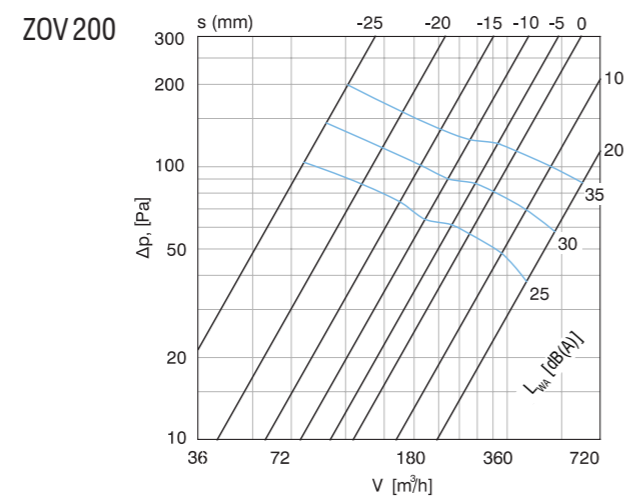
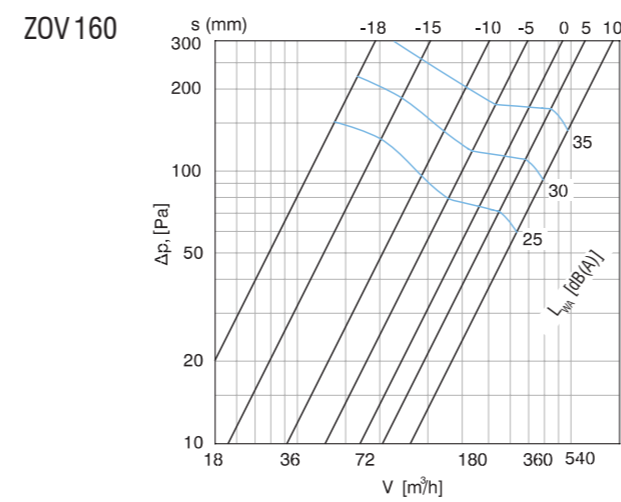
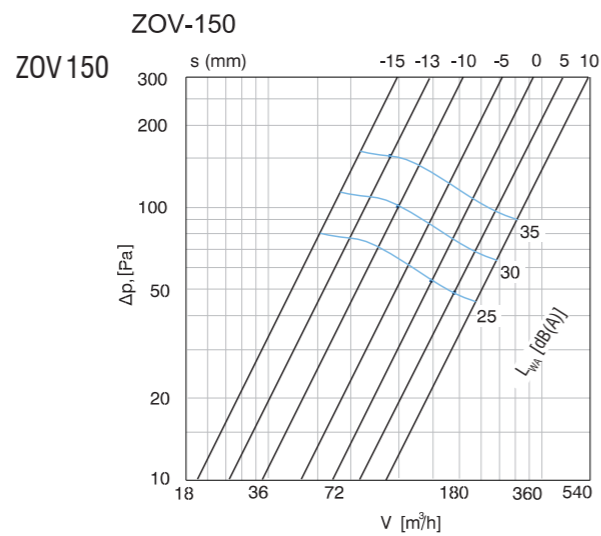
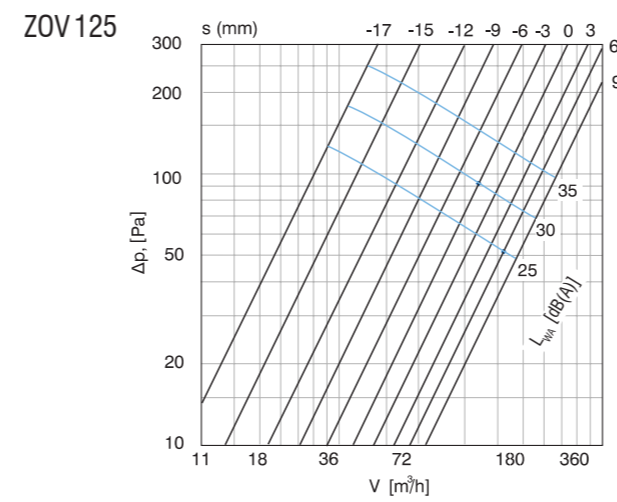
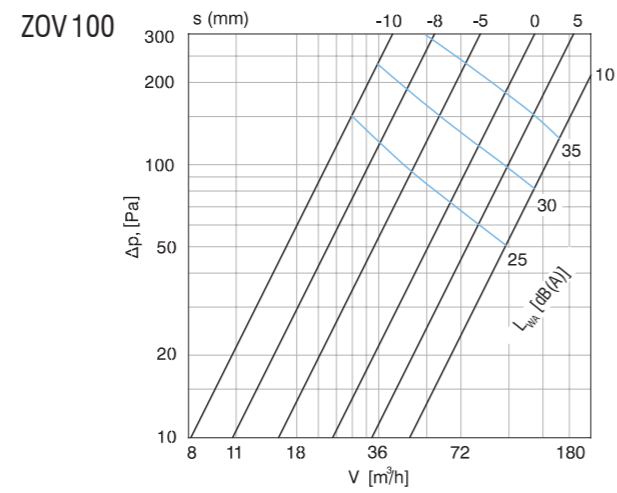
(1) Air valve (2) Size

ZOV - 200

(1) Air valve - ZOV
- ZOT

(2) Size 100, 125, 150, 160 i 200

ZOV - airflow, pressure drop and sound power level diagrams

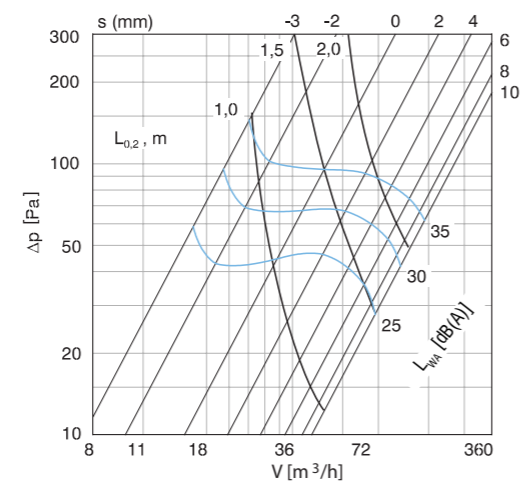


- ▼ SOLVEAIR ▼ DIAGRAM
- ▼ ORDERING KEY

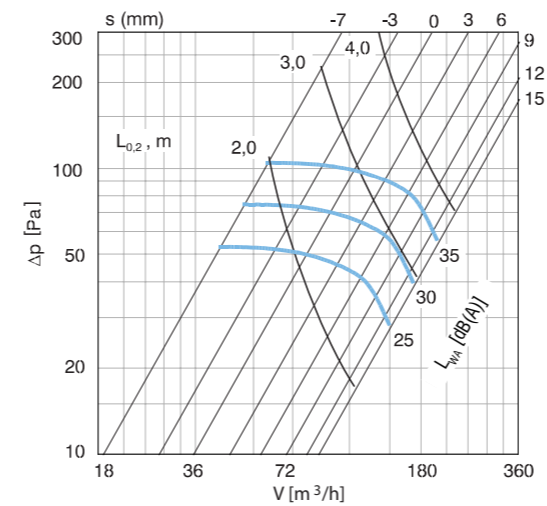
☰ DIAGRAM

ZOT - airflow, pressure drop and sound power level diagrams

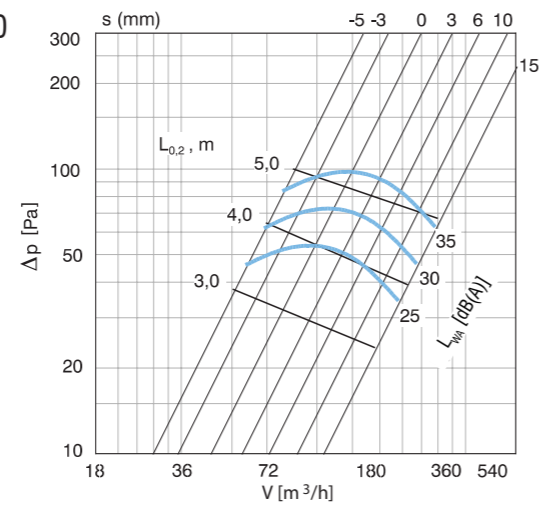
ZOT - 100



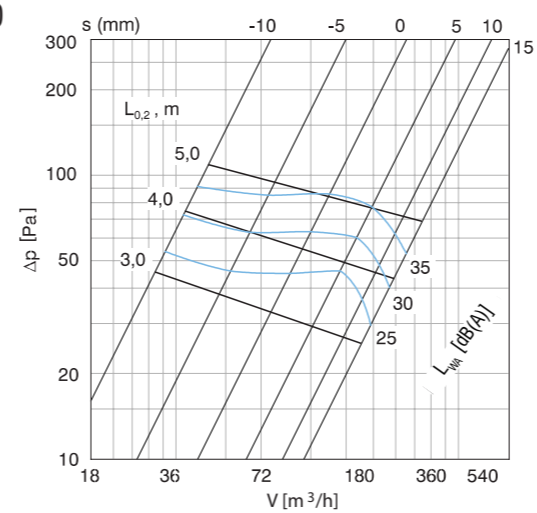
ZOT - 125



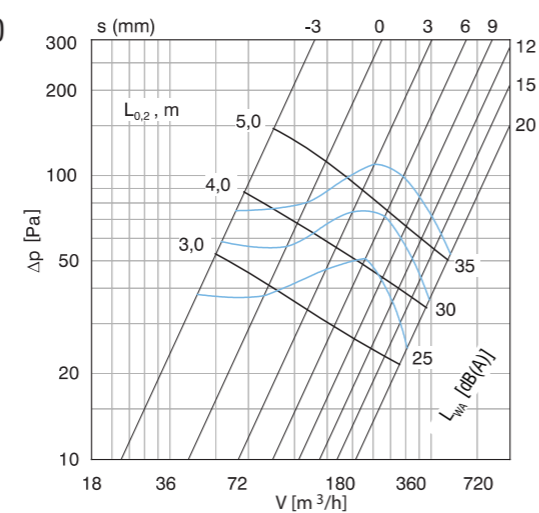
ZOT - 150



ZOT - 160



ZOT - 200



- ▶ SOLVEAIR ▶ DIAGRAM
- ▶ ORDERING KEY

☰ DIAGRAM



AIR DISTRIBUTION

Projektiranje, proizvodnja i održavanje opreme za klimatizaciju, ventilaciju i čiste prostore.
Design, production and service of Ventilation, Air-Conditioning and Cleanroom equipment.

📍 Gradna 78A, 10430 Samobor, Croatia
☎ +385 (0)1 33 62 513
✉ info@klimaoprema.com
🌐 www.klimaoprema.com