

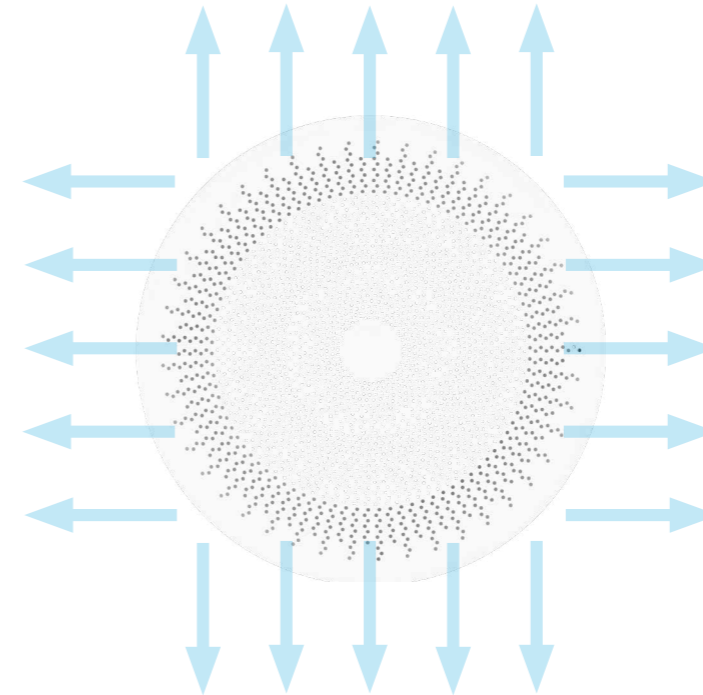
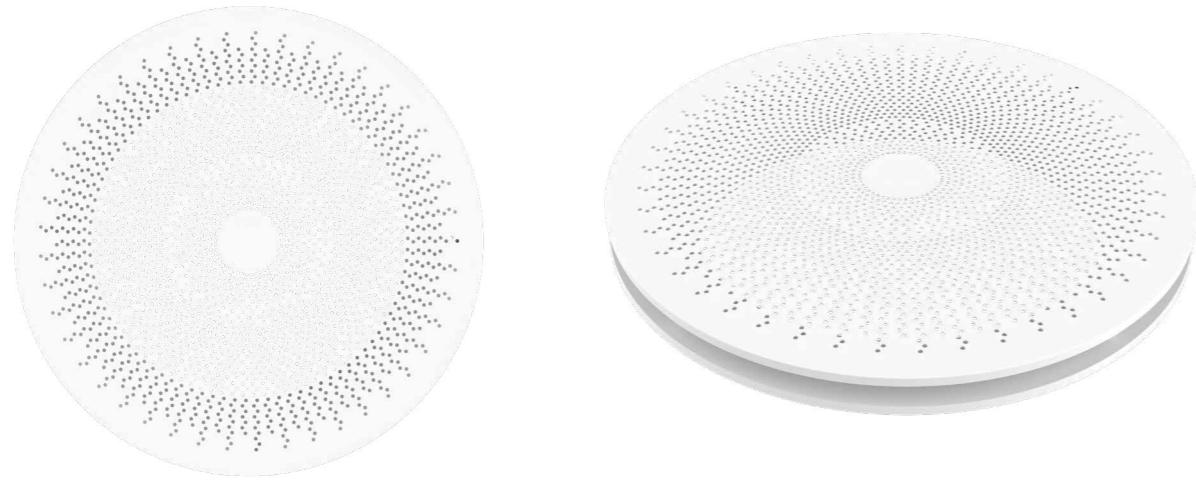
Product manual

Ceiling diffuser

DPR, DPQ

Air distribution

Version 1.0.0
Date: 11.09.2023.



DPR

- Produced from galvanized steel sheet and powdercoated to RAL 9010
- Suitable for horizontal supply of air
- Simple replacement of front panels
- Easy adjustment of the flow opening (distributor thickness adjustment 10, 20, 30mm)

Opcije

- RAL...
- Plenum box
- No perforation (-E)

▼ SOLVEAIR ▼ ORDERING KEY ▼ DIAGRAM



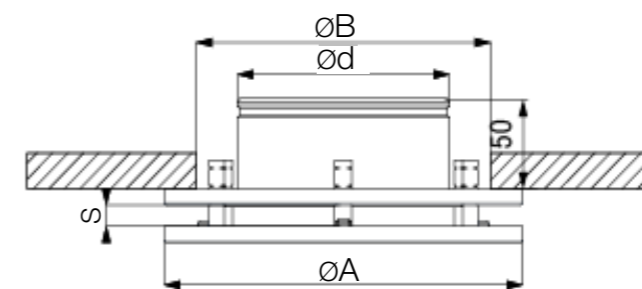
MODELS

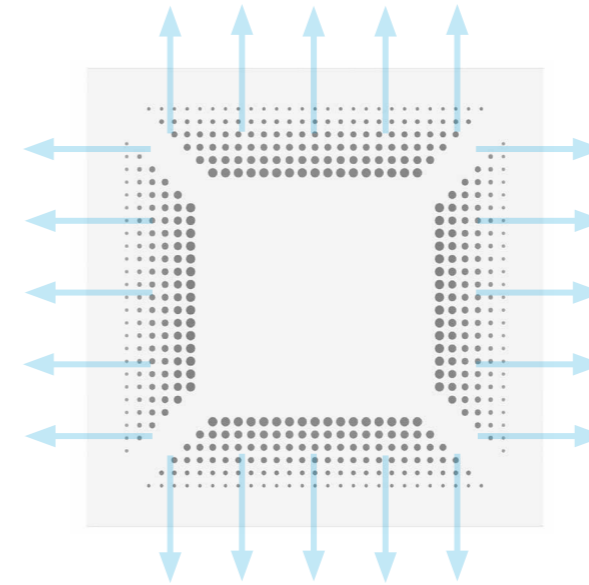
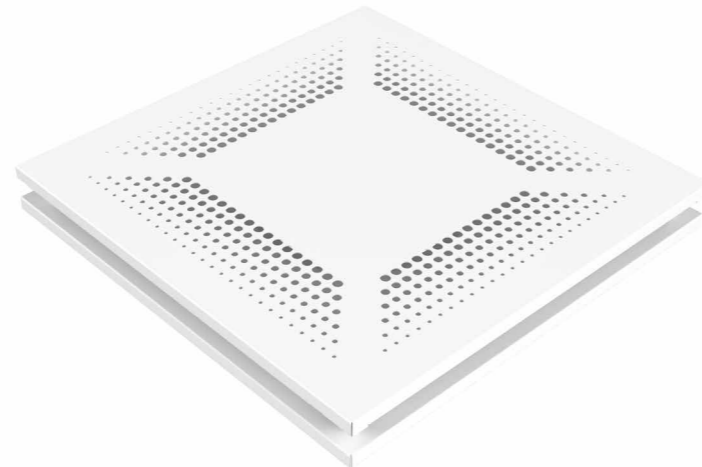
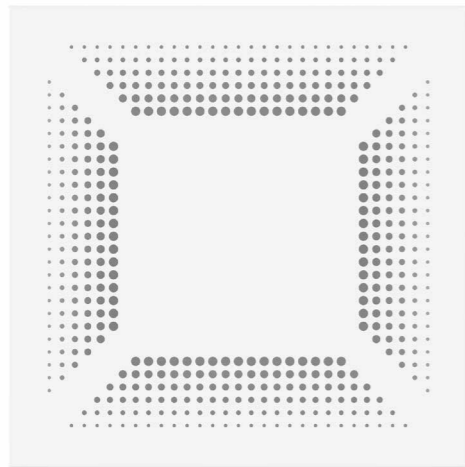
AIR DISTRIBUTION

Dimensions

DPR	ØA	Ød	ØB	s
125	210	125	190	10, 20, 30
160	250	160	227	10, 20, 30
200	350	200	327	10, 20, 30
250	450	250	427	10, 20, 30
315	550	315	527	10, 20, 30

Plenum box dimensions	PBS
125	125
160	160
200	200
250	250
315	315



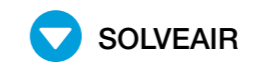


DPQ

- Produced from galvanized steel sheet and powdercoated to RAL 9010
- Suitable for horizontal supply of air
- Simple replacement of front panels
- Easy adjustment of the flow opening (distributor thickness adjustment 10, 20, 30mm)

Opcije

- RAL...
- Plenum box
- No perforation (-E)



MODELS

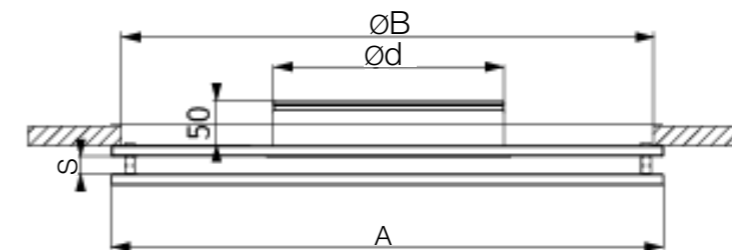
AIR DISTRIBUTION

Dimensions

DPQ	A	Ød	ØB	s
125	395	125	210	10, 20, 30
160	395	160	270	10, 20, 30
200	395	200	375	10, 20, 30
250	595	250	370	10, 20, 30
315	595	315	575	10, 20, 30

Plenum box dimensions

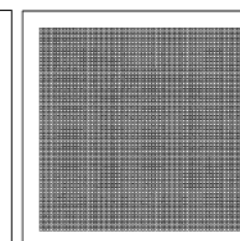
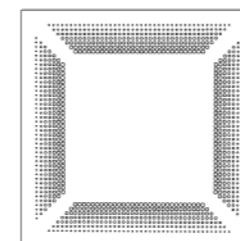
Plenum box dimensions	PBS
125	125
160	160
200	200
250	250
315	315



DPQ

DPQ-E

DPQ-PE





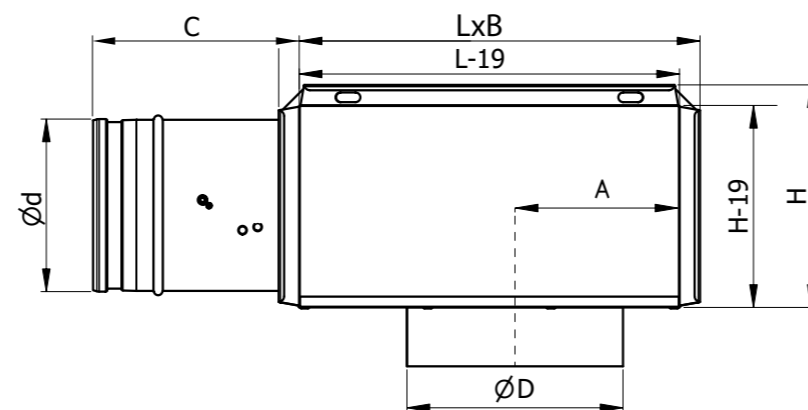
▼ SOLVEAIR ▼ ORDERING KEY ▼ DIAGRAM

 PLENUM BOX

PBS

Plenum box design used with suspended ceiling systems. It is equipped as standard with high efficiency thermal/acoustic insulation and a quick commissioning kit for regulation of the airflow.

Two spigot connections for connection to the duct and PBV plenum box. Duct spigot connection is equipped with EPDM rubber seal.

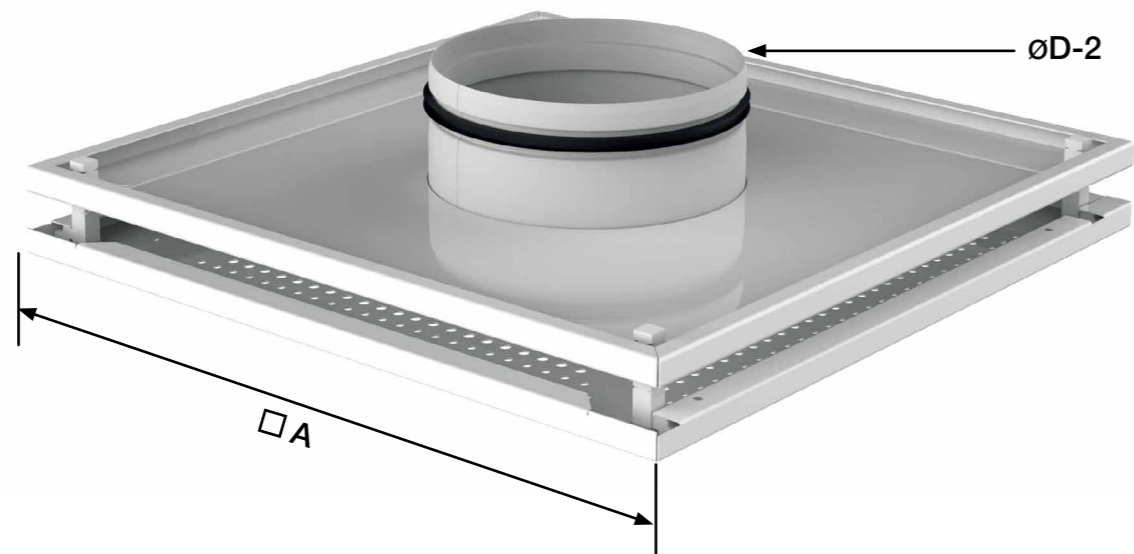


Model	d	D	L x B	H	A	C
100/125	98	125	315x220	195	125	133
125/160	123	160	350x255	215	140	158
160/200	158	200	390x330	250	165	198
200/250	198	250	440x370	290	195	233
250/315	248	315	505x380	340	230	383

PBS



Diffuser



(1) Plenum box (2) Size (3) Connection diameter

PBS	-	125	-	160
------------	---	------------	---	------------

- (1) **PBS** - Cilindrical plenum box
- (2) Size: **100, 125, 160, 200, 250**
- (3) Connection diameter: **125, 160, 200, 250, 315**

(1) Diffuser (2) Perforation (3) Size

DPR	-	E	-	125
------------	---	----------	---	------------

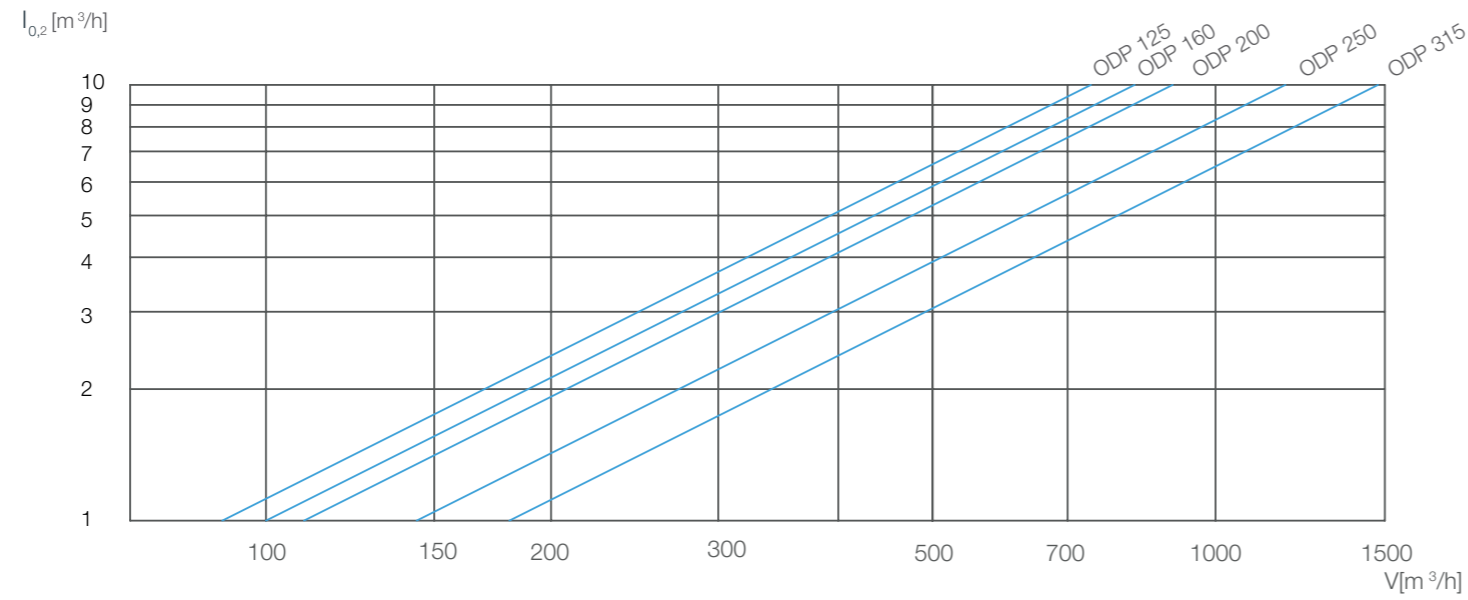
- (1) **DPR** - round ceiling diffuser
DPQ - rectangular ceiling diffuesr
- (2) Perforated plate (standard)
E - without perforation
PE - fully perforated plate (*only for DPQ)
- (3) Size: **125, 160, 200, 250, 315**

- ▼ SOLVEAIR ▼ DIAGRAM
- ▼ ORDERING KEY

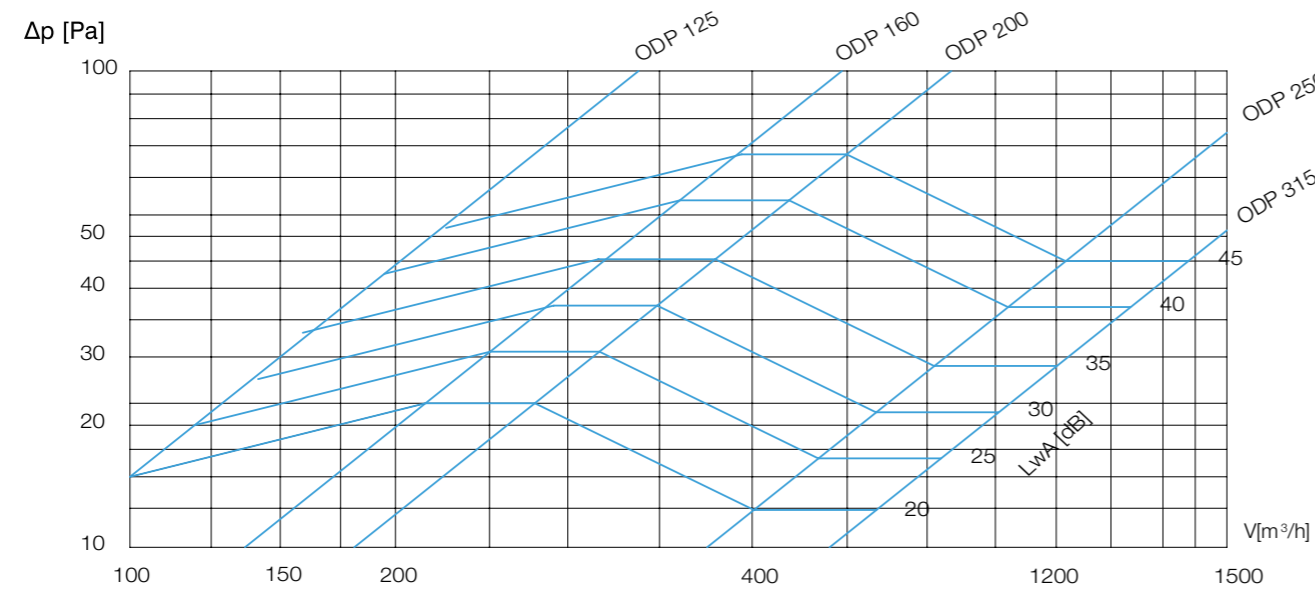
 **ORDERING KEYS**

- $\varnothing d-2$ PBS duct connection diameter
- $\varnothing D-2$ Diffuser connection diameter
- $\square A$ Nominal plate size

DPR diagrams

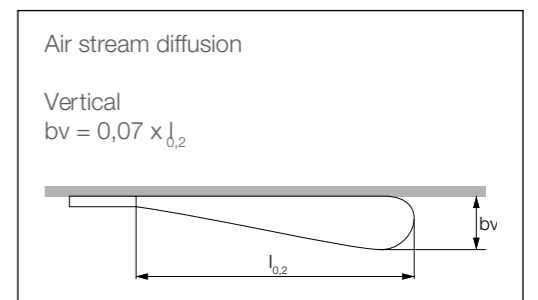


Pressure drop and sound power level

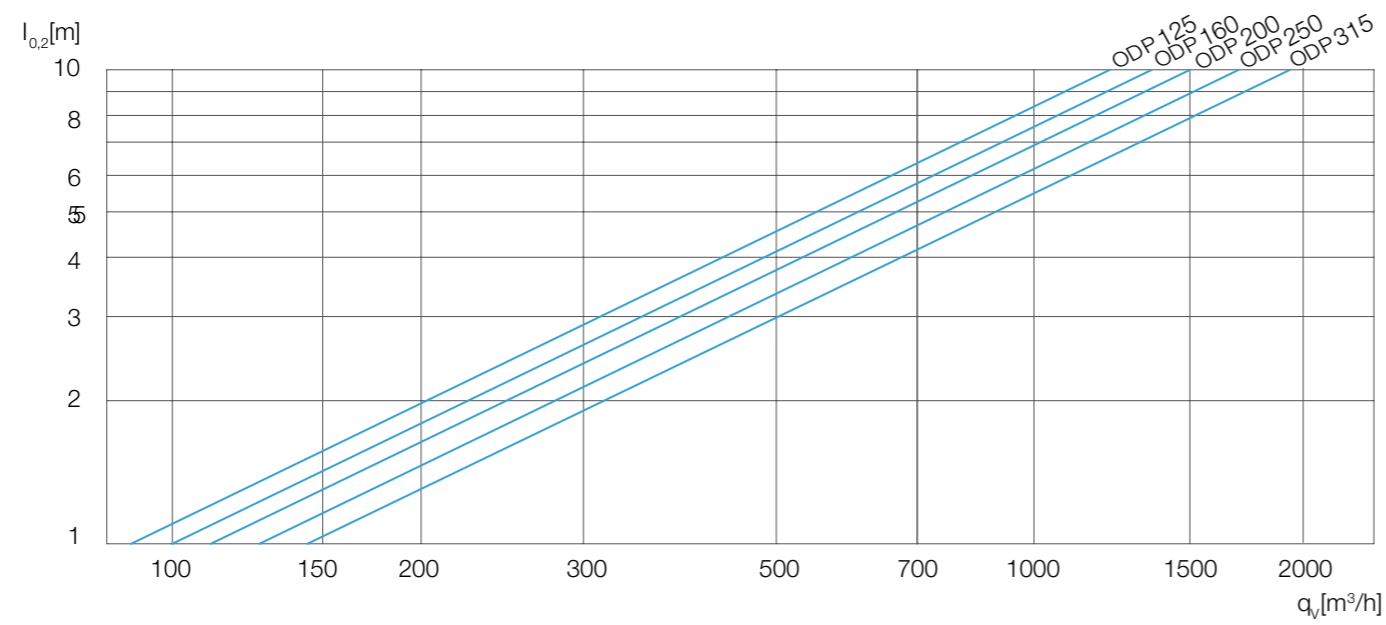


- ▼ SOLVEAIR ▼ DIAGRAM
- ▼ ORDERING KEY

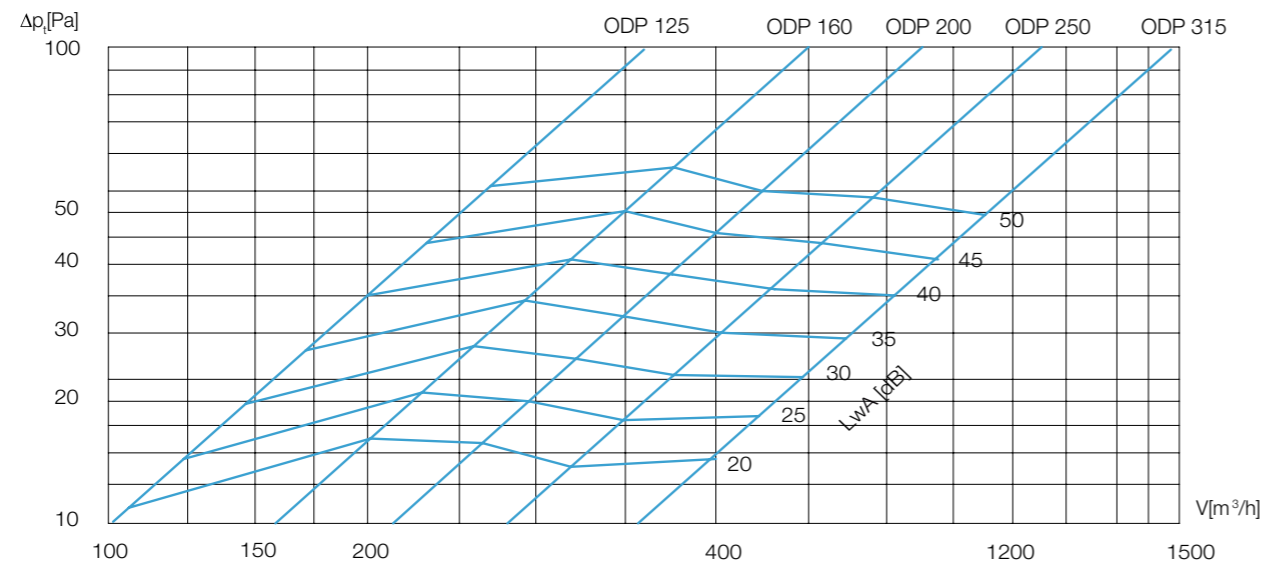
☰ DIAGRAMS



DPQ diagrams

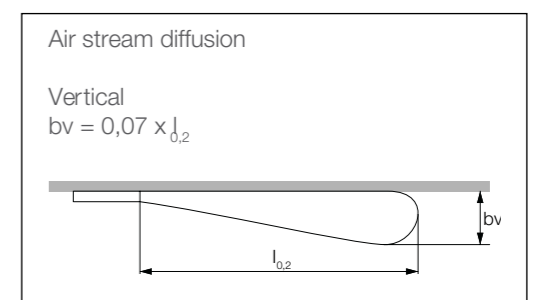


Pressure drop and sound power level



- ▼ SOLVEAIR
- ▼ ORDERING KEY
- ▼ DIAGRAM

DIAGRAMS





AIR DISTRIBUTION

Projektiranje, proizvodnja i održavanje opreme za klimatizaciju, ventilaciju i čiste prostore.
Design, production and service of Ventilation, Air-Conditioning and Cleanroom equipment.

-  Gradna 78A, 10430 Samobor, Croatia
-  +385 (0)1 33 62 513
-  info@klimaoprema.com
-  www.klimaoprema.com