



Product manual

# Weather louvers

FZ, AFZV

Airflow distribution

Version 1.0.1  
Date: 26.08.2024.

## FZ Fixed louver

- Made out of galvanized steel sheet
- Galvanized steel mesh on the back side
- Fixing with screws (Holes for screws are not drilled)
- Free cross-section approx. 60 % of B x H



- ▶ [Product overview](#)
- ▶ [Ordering key](#)
- ▶ [Maintenance](#)



PRODUCT OVERVIEW

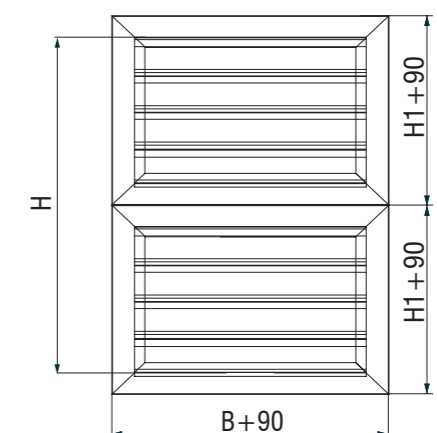
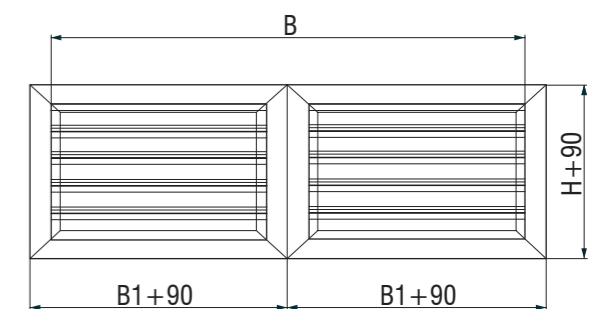
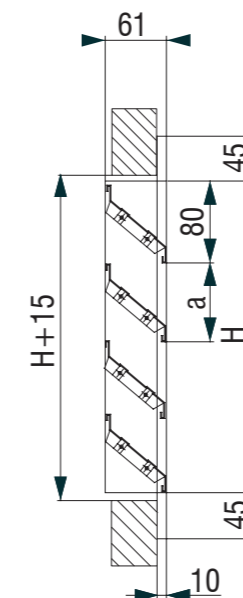
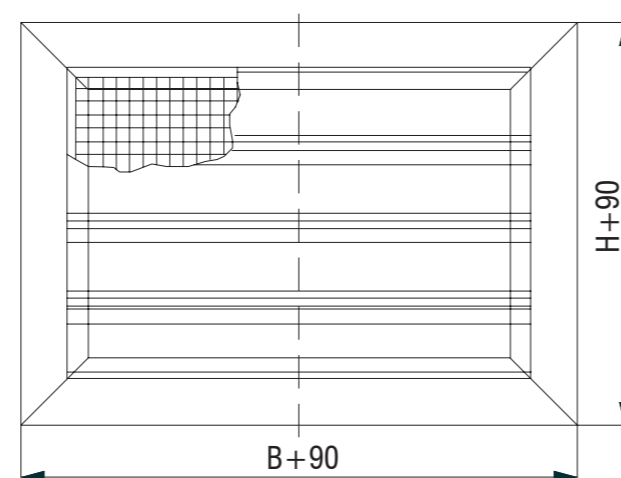
AIRFLOW DISTRIBUTION

### OPTIONS

- Installation subframe
- RAL...

### DIMENSIONS

B x H				
<b>B</b>	385	-	1885	in increments 200 mm
<b>H</b>	300	-	1800	in increments 150 mm
*all combinations B x H are possible				



# AFZV

## Aluminum fixed louver

- Made out of anodized aluminium profiles
- Galvanized steel mesh on the back side
- Fixing with screws (Holes for screws are not drilled)
- Free cross-section approx. 60 % of B x H



- ▶ [Product overview](#)
- ▶ [Ordering key](#)
- ▶ [Maintenance](#)



PRODUCT OVERVIEW

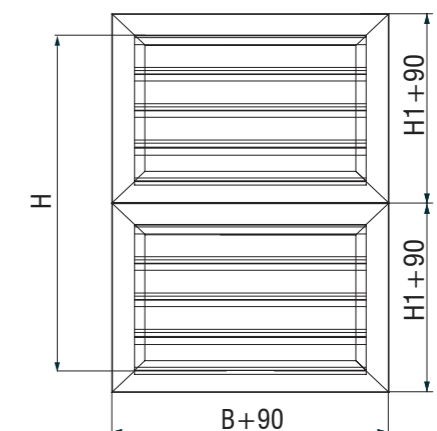
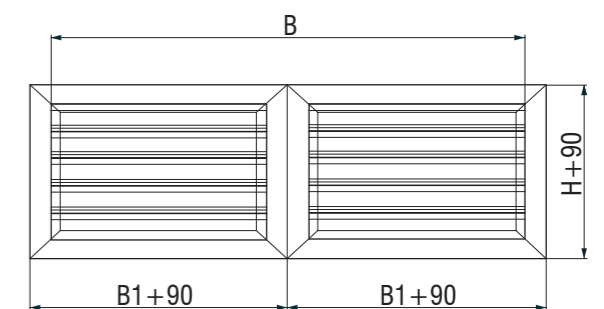
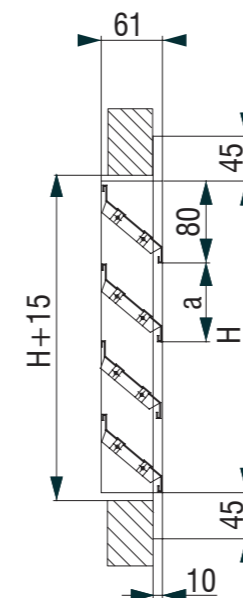
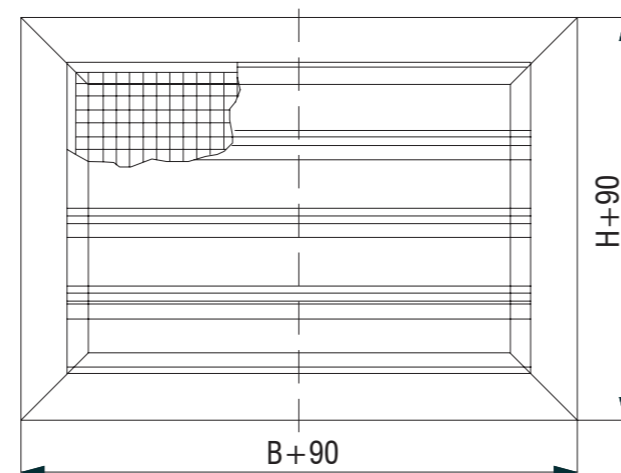
AIRFLOW DISTRIBUTION

### OPTIONS

- RAL...

### DIMENSIONS

B x H				
<b>B</b>	385	-	1885	in increments 200 mm
<b>H</b>	300	-	1800	in increments 150 mm
*all combinations B x H are possible				







- ▼ [Product overview](#)
- ▼ [Ordering key](#)
- ▼ [Maintenance](#)



ORDERING KEY

AIRFLOW DISTRIBUTION

ORDERING KEY

(1) Pressure louver      (2) Dimensions [mm]      (3) Anti-insect mesh      (4) Material finish

**AFZV** - **585 x 450** - / - **RAL**

- (1) Pressure louver:  
**FZ, AFZV**
- (2) Dimensions: **385-1785 x 300-1800** [mm]
- (3) Anti-insect mesh 2 x 2 mm: **PM**  
\* 12 x 12 mm mesh comes standard
- (4) Material finish: **RAL**



- ▼ [Product overview](#)
- ▼ [Ordering key](#)
- ▼ [Maintenance](#)



## TRANSPORT

After arrival, check the louver for transport damage and shortcomings. In case of any damage or shortcomings, immediately contact your supplier.

## STORAGE

If the louver is not installed immediately:

- Remove any wrapping.
- Protect louver from dust and contamination.
- Do not expose the louver to the effects of weather, store the louver in a dry place.

**Please properly dispose of packaging material!**

## MAINTENANCE AND OPERATION

Klimaoprema louvers are designed as such do not require cleaning and regular maintenance.

- After each intervention, provide a systematic cleaning of dust
- Cleaning instruction: clean with a sponge, with water or a mild detergent

It is not permitted to alter the louvers in any way nor perform any changes to their structure without the manufacturer's consent. The functional test must be carried out in compliance with the basic maintenance principles of the European norm.

## COMMISSIONING

- Carefully unpack - be careful of sharp edges and do not use excessive force for unpacking
- Before commissioning - check the product functions



## AIRFLOW DISTRIBUTION

---

Projektiranje, proizvodnja i održavanje opreme za klimatizaciju, ventilaciju i čiste prostore.  
Design, production and service of Ventilation, Air-Conditioning and Clean room equipment.

---

-  Gradna 78A, 10430 Samobor, Croatia
-  +385 (0)1 33 62 513
-  [info@klimaoprema.com](mailto:info@klimaoprema.com)
-  [www.klimaoprema.com](http://www.klimaoprema.com)