

Product manual

Air curtains

GRAND

Air distribution

Version 1.0.1
Date: 22.05.2023.

GRAND

- Lengths: 1; 1.5; 2 and 2.5 m
- **Air flow up to 5090 m³/h** (ISO 27 327-1)
- Very low noise level
- FACE ^{2 in 1} – suction grille + filter = 2 in 1
- Universal interface for AirGENIO control module connection (BA, CO, SU)
- Easy installation and service
- Standard colour RAL 9016 (any RAL – based colours may be provided on customer's request)



The **GRAND** is an extraordinary high-performance and visually attractive comfortable air curtain for use in representative premises, such as **banks, luxury shops, shopping centres, airports and administrative buildings** with a recommended installation height up to 5 m.

The air curtain shall be installed indoor in a dry area with ambient temperatures ranging from 0 °C up to +35 °C and relative humidity of up to 80 %. It is designed for conveying air free of rough dust, grease, chemical fumes, and other impurities. IP rating of the air curtain is IP 20. **The air curtain project shall always be developed by the HVAC designer.**



- ▼ [Product overview](#)
- ▼ [Ordering key](#)
- ▼ [Installation](#)
- ▼ [Control](#)
- ▼ [Accessories](#)
- ▼ [Diagrams](#)
- ▼ [Maintenance](#)

PRODUCT OVERVIEW

-  air-only
-  water heater
-  electric wire heater

PRIMARY PARAMETERS

Air curtains with electric heater are fitted with automatic heat thermostat and emergency thermostat with manual reset. Air curtains with LPHW coil are designed for the maximum operating water temperature of +100 °C and maximum operating pressure of 1.6 MPa.

Type	Recommended installation height [m]	Air output [m³/h] *1			Acoustic pressure at 3m[dB(A)] *2			Sound power [dB(A)]*3
		Speed 3	Speed 2	Speed 1	Speed 3	Speed 2	Speed 1	
GRAND-40-10-N	4,0	1626	1182	813	56	48	40	74
GRAND-40-15-N		2513	1774	1256	59	51	43	76
GRAND-40-20-N		3362	2328	1626	60	52	44	77
GRAND-40-25-N		4065	2956	2106	61	53	45	78
GRAND-40-10-E10		1589	1145	813	56	48	40	74
GRAND-40-15-E15		2476	1700	1219	59	51	43	76
GRAND-40-20-E19		3362	2291	1589	60	52	44	77
GRAND-40-25-E25		3991	2919	2069	61	53	45	78
GRAND-40-10-W		1552	1109	776	56	48	40	73
GRAND-40-15-W		2439	1663	1182	58	49	42	75
GRAND-40-20-W		3252	2180	1552	59	51	43	77
GRAND-40-25-W		3880	2734	1884	61	53	45	78
GRAND-50-10-N	5,0	2303	1656	1172	60	52	44	77
GRAND-50-15-N		3353	2424	1737	60	52	44	78
GRAND-50-20-N		4161	2990	2101	60	53	45	78
GRAND-50-25-N		5090	3636	2666	61	53	46	79
GRAND-50-10-E10		2262	1616	1131	60	52	44	77
GRAND-50-15-E15		3272	2384	1697	60	52	44	78
GRAND-50-20-E19		4080	2949	2060	60	53	45	78
GRAND-50-25-E25		4888	3555	2586	61	53	46	79
GRAND-50-10-W		2222	1576	1115	59	51	43	77
GRAND-50-15-W		3151	2182	1616	60	52	44	77
GRAND-50-20-W		3878	2788	1939	60	53	45	78
GRAND-50-25-W		4808	3434	2424	61	53	46	78

*1 Airflow volume according ISO27327-1

*2 Acoustic pressure values at 3 m distance for maximum speed.
Directional factor: Q=2.

*3 Sound power (LWA) measurements according to ISO 27327-2.

- [Product overview](#)
- [Ordering key](#)
- [Installation](#)
- [Control](#)
- [Accessories](#)
- [Diagrams](#)
- [Maintenance](#)

PRODUCT OVERVIEW

Type	Heater power output [kW]		Total power input [kW]	Total voltage/ current [V/A]	Motor voltage/ current [V/A]	Temperature increase Δt [°C]	Frequency [Hz]	Weight [kg]*4
	1st level	2st level						
GRAND-40-10-N	-	-	0,65	230/2,85	230/2,85	-	50	42
GRAND-40-15-N	-	-	1	230/4,4	230/4,4	-	50	59
GRAND-40-20-N	-	-	1,3	230/5,7	230/5,7	-	50	76
GRAND-40-25-N	-	-	1,6	230/7,0	230/7,0	-	50	93
GRAND-40-10-E10	4,6	9,4	10,3	400/16,6	230/2,85	17,8*	50	46
GRAND-40-15-E15	7,6	15	16	400/26,1	230/4,4	18,05*	50	63
GRAND-40-20-E19	9,8	19	20,3	400/33,2	230/5,7	16,84*	50	81
GRAND-40-25-E25	12,5	24,5	26,1	400/42	230/7,0	18,3*	50	99
GRAND-40-10-W	-	-	0,65	230/2,85	230/2,85	39,5 *2	50	48
GRAND-40-15-W	-	-	1	230/4,4	230/4,4	40,6 *2	50	65
GRAND-40-20-W	-	-	1,3	230/5,7	230/5,7	41,5 *2	50	83
GRAND-40-25-W	-	-	1,6	230/7,0	230/7,0	42 *2	50	97
GRAND-50-10-N	-	-	0,95	230/4,0	230/4,0	-	50	48
GRAND-50-15-N	-	-	1,35	230/5,6	230/5,6	-	50	64
GRAND-50-20-N	-	-	1,7	230/7,0	230/7,0	-	50	80
GRAND-50-25-N	-	-	2	230/8,7	230/8,7	-	50	98
GRAND-50-10-E10	4,6	9,	10,6	400/17,6	230/4,0	12,5 *	50	53
GRAND-50-15-E15	7,6	15	17	400/27,5	230/7,0	13,66 *	50	68
GRAND-50-20-E19	9,8	19	20,8	400/34,2	230/8,7	13,88 *	50	86
GRAND-50-25-E25	12,5	24,5	26,5	400/44	230/6,9	14,94 *	50	110
GRAND-50-10-W	-	-	0,95	230/4,0	230/4,0	35,1 *2	50	55
GRAND-50-15-W	-	-	1,35	230/5,6	230/5,6	37,3 *2	50	70
GRAND-50-20-W	-	-	1,7	230/7,0	230/7,0	39,3 *2	50	88
GRAND-50-25-W	-	-	2	230/8,7	230/8,7	40,8 *2	50	108

*1 At the maximum air flow and maximum heater power

*2 Intake air temperature +18°C, water temperature gradient of 90/70 °C and highest fan speed.

*3 Intake air temperature +18°C, water temperature gradient of 40/30 °C and highest fan speed.

*4 Weight without controls.

- [Product overview](#)
- [Ordering key](#)
- [Installation](#)
- [Control](#)
- [Accessories](#)
- [Diagrams](#)
- [Maintenance](#)

PRODUCT OVERVIEW

LPHW coil parameters for water temperature gradient 90 / 70 °C

Type	Air output	Heat output	Temperature at exhaust	Pressure loss	Water flow
	[m³/h]	[kW]	[°C]	[kPa]	[l/s]
GRAND-40-10-W	1552	21,6	59,2	6,7	0,27
GRAND-40-15-W	2439	32,9	57,9	4,9	0,41
GRAND-40-20-W	3252	45,5	59,5	10,0	0,56
GRAND-40-25-W	3880	55,5	60,3	15,4	0,68
GRAND-50-10-W	2222	26,9	53,9	10,1	0,33
GRAND-50-15-W	3151	38,5	54,2	6,6	0,47
GRAND-50-20-W	3878	50,9	56,9	12,3	0,63
GRAND-50-25-W	4808	63,6	57,2	19,9	0,78

* Temperature of intake air: +18 °C

LPHW coil parameters for water temperature gradient 80 / 60 °C

Type	Air output	Heat output	Temperature at exhaust	Pressure loss	Water flow
	[m³/h]	[kW]	[°C]	[kPa]	[l/s]
GRAND-40-10-W	1552	17,7	51,7	4,7	0,22
GRAND-40-15-W	2439	26,7	50,5	3,3	0,33
GRAND-40-20-W	3252	37,4	52,0	6,9	0,46
GRAND-40-25-W	3880	45,7	52,9	10,8	0,56
GRAND-50-10-W	2222	22,0	47,3	7,0	0,27
GRAND-50-15-W	3151	31,2	47,4	4,5	0,38
GRAND-50-20-W	3878	41,7	49,8	8,5	0,51
GRAND-50-25-W	4808	52,3	50,2	13,9	0,64

* Temperature of intake air: +18 °C

LPHW coil parameters for water temperature gradient 70 / 50 °C

Type	Air output	Heat output	Temperature at exhaust	Pressure loss	Water flow
	[m³/h]	[kW]	[°C]	[kPa]	[l/s]
GRAND-40-10-W	1552	13,7	44,2	3,0	0,17
GRAND-40-15-W	2439	20,5	42,9	2,0	0,50
GRAND-40-20-W	3252	29,1	44,5	4,4	0,36
GRAND-40-25-W	3880	35,9	45,4	6,9	0,44
GRAND-50-10-W	2222	17,0	40,6	4,4	0,21
GRAND-50-15-W	3151	23,9	40,4	2,7	0,33
GRAND-50-20-W	3878	32,4	42,7	5,3	0,39
GRAND-50-25-W	4808	40,9	43,2	8,9	0,50

* Temperature of intake air: +18 °C

- [Product overview](#)
- [Ordering key](#)
- [Installation](#)
- [Control](#)
- [Accessories](#)
- [Diagrams](#)
- [Maintenance](#)

PRODUCT OVERVIEW

LPHW coil parameters for water temperature gradient 60 / 40 °C

Type	Air output	Heat output	Temperature at exhaust	Pressure loss	Water flow
	[m³/h]	[kW]	[°C]	[kPa]	[l/s]
GRAND-40-10-W	1552	9,7	36,6	1,6	0,12
GRAND-40-15-W	2439	14,1	35,1	1,0	0,17
GRAND-40-20-W	3252	20,7	36,9	2,3	0,25
GRAND-40-25-W	3880	25,9	37,7	3,8	0,31
GRAND-50-10-W	2222	12,0	33,9	2,3	0,14
GRAND-50-15-W	3151	16,4	33,4	1,4	0,20
GRAND-50-20-W	3878	23,0	35,5	2,8	0,28
GRAND-50-25-W	4808	29,3	36,1	4,8	0,36

* Temperature of intake air: +18 °C

LPHW coil parameters for water temperature gradient 50 / 30 °C

Type	Air output	Heat output	Temperature at exhaust	Pressure loss	Water flow
	[m³/h]	[kW]	[°C]	[kPa]	[l/s]
GRAND-50-15-W	2838	15,5	34,0	5,9	0,19
GRAND-50-20-W	3493	19,4	34,4	5,0	0,23
GRAND-50-25-W	4331	24,8	34,8	8,8	0,30

* Temperature of intake air: +18 °C

LPHW coil parameters for water temperature gradient 40 / 30 °C

Type	Air output	Heat output	Temperature at exhaust	Pressure loss	Water flow
	[m³/h]	[kW]	[°C]	[kPa]	[l/s]
GRAND-50-15-W	2838	12,8	31,3	14,7	0,31
GRAND-50-20-W	3493	16,1	31,6	12,5	0,39
GRAND-50-25-W	4331	20,2	31,7	21,4	0,49

* Temperature of intake air: +18 °C

LPHW coil parameters for water temperature gradient 35 / 25 °C

Type	Air output	Heat output	Temperature at exhaust	Pressure loss	Water flow
	[m³/h]	[kW]	[°C]	[kPa]	[l/s]
GRAND-50-15-W	2838	8,4	26,7	7,2	0,20
GRAND-50-20-W	3493	10,5	26,9	6,0	0,25
GRAND-50-25-W	4331	13,5	27,2	10,6	0,32

* Temperature of intake air: +18 °C

- [Product overview](#)
- [Ordering key](#)
- [Installation](#)
- [Control](#)
- [Accessories](#)
- [Diagrams](#)
- [Maintenance](#)

PRODUCT OVERVIEW

Recommended mixing points for LPHW coil
3-way valve

Type	Control module	90/70 °C	80/60 °C	70/50 °C	60/40 °C
		3-way valve			
GRAND-40-10-W	BASIC	ZV3-230-04,0-20 RT-3-07	ZV3-230-04,0-20 RT-3-07	ZV3-230-04,0-20 RT-3-07	ZV3-230-04,0-20 RT-3-07
	COMFORT	ZV3-024-04,0-20	ZV3-024-04,0-20	ZV3-024-04,0-20	ZV3-024-04,0-20
	SUPERIOR	ZV3-024-04,0-20	ZV3-024-04,0-20	ZV3-024-04,0-20	ZV3-024-04,0-20
GRAND-40-15-W	BASIC	ZV3-230-04,0-20 RT-3-07	ZV3-230-04,0-20 RT-3-07	ZV3-230-04,0-20 RT-3-07	ZV3-230-04,0-20 RT-3-07
	COMFORT	ZV3-024-04,0-20	ZV3-024-04,0-20	ZV3-024-04,0-20	ZV3-024-04,0-20
	SUPERIOR	ZV3-024-04,0-20	ZV3-024-04,0-20	ZV3-024-04,0-20	ZV3-024-04,0-20
GRAND-40-20-W	BASIC	ZV3-230-21,0-20 RT-3-07	ZV3-230-21,0-20 RT-3-07	ZV3-230-21,0-20 RT-3-07	ZV3-230-21,0-20 RT-3-07
	COMFORT	ZV3-024-06,3-20	ZV3-024-06,3-20	ZV3-024-06,3-20	ZV3-024-06,3-20
	SUPERIOR	ZV3-024-06,3-20	ZV3-024-06,3-20	ZV3-024-06,3-20	ZV3-024-06,3-20
GRAND-40-25-W	BASIC	ZV3-230-21,0-20 RT-3-07	ZV3-230-21,0-20 RT-3-07	ZV3-230-21,0-20 RT-3-07	ZV3-230-21,0-20 RT-3-07
	COMFORT	ZV3-024-06,3-20	ZV3-024-06,3-20	ZV3-024-06,3-20	ZV3-024-06,3-20
	SUPERIOR	ZV3-024-06,3-20	ZV3-024-06,3-20	ZV3-024-06,3-20	ZV3-024-06,3-20
GRAND-50-10-W	BASIC	ZV3-230-04,0-20 RT-3-07	ZV3-230-04,0-20 RT-3-07	ZV3-230-04,0-20 RT-3-07	ZV3-230-04,0-20 RT-3-07
	COMFORT	ZV3-024-04,0-20	ZV3-024-04,0-20	ZV3-024-04,0-20	ZV3-024-04,0-20
	SUPERIOR	ZV3-024-04,0-20	ZV3-024-04,0-20	ZV3-024-04,0-20	ZV3-024-04,0-20
GRAND-50-15-W	BASIC	ZV3-230-04,0-20 RT-3-07	ZV3-230-04,0-20 RT-3-07	ZV3-230-04,0-20 RT-3-07	ZV3-230-04,0-20 RT-3-07
	COMFORT	ZV3-024-04,0-20	ZV3-024-04,0-20	ZV3-024-04,0-20	ZV3-024-04,0-20
	SUPERIOR	ZV3-024-04,0-20	ZV3-024-04,0-20	ZV3-024-04,0-20	ZV3-024-04,0-20
GRAND-50-20-W	BASIC	ZV3-230-21,0-20 RT-3-07	ZV3-230-21,0-20 RT-3-07	ZV3-230-21,0-20 RT-3-07	ZV3-230-21,0-20 RT-3-07
	COMFORT	ZV3-024-06,3-20	ZV3-024-06,3-20	ZV3-024-06,3-20	ZV3-024-06,3-20
	SUPERIOR	ZV3-024-06,3-20	ZV3-024-06,3-20	ZV3-024-06,3-20	ZV3-024-06,3-20
GRAND-50-25-W	BASIC	ZV3-230-21,0-20 RT-3-07	ZV3-230-21,0-20 RT-3-07	ZV3-230-21,0-20 RT-3-07	ZV3-230-21,0-20 RT-3-07
	COMFORT	ZV3-024-06,3-20	ZV3-024-06,3-20	ZV3-024-06,3-20	ZV3-024-06,3-20
	SUPERIOR	ZV3-024-06,3-20	ZV3-024-06,3-20	ZV3-024-06,3-20	ZV3-024-06,3-20

- [Product overview](#)
- [Ordering key](#)
- [Installation](#)
- [Control](#)
- [Accessories](#)
- [Diagrams](#)
- [Maintenance](#)

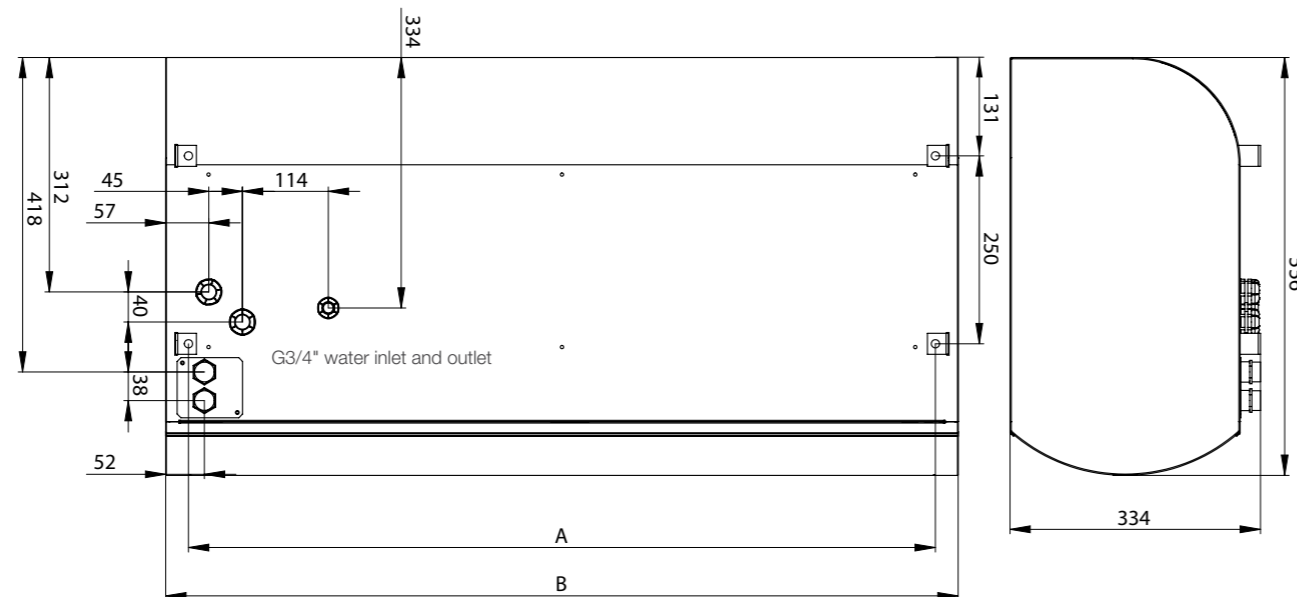
PRODUCT OVERVIEW

Recommended mixing points for LPHW coil
2-way valve

Type	Control module	90/70 °C	80/60 °C	70/50 °C	60/40 °C
		2-way valve			
GRAND-40-10-W	BASIC	ZV2-230-08,0-20	ZV2-230-08,0-20	ZV2-230-08,0-20	ZV2-230-08,0-20
	COMFORT	ZV2-024-08,0-20	ZV2-024-08,0-20	ZV2-024-08,0-20	ZV2-024-08,0-20
	SUPERIOR	ZV2-024-08,0-20	ZV2-024-08,0-20	ZV2-024-08,0-20	ZV2-024-08,0-20
GRAND-40-15-W	BASIC	ZV2-230-08,0-20	ZV2-230-08,0-20	ZV2-230-08,0-20	ZV2-230-08,0-20
	COMFORT	ZV2-024-08,0-20	ZV2-024-08,0-20	ZV2-024-08,0-20	ZV2-024-08,0-20
	SUPERIOR	ZV2-024-08,0-20	ZV2-024-08,0-20	ZV2-024-08,0-20	ZV2-024-08,0-20
GRAND-40-20-W	BASIC	ZV2-230-08,0-20	ZV2-230-08,0-20	ZV2-230-08,0-20	ZV2-230-08,0-20
	COMFORT	ZV2-024-08,0-20	ZV2-024-08,0-20	ZV2-024-08,0-20	ZV2-024-08,0-20
	SUPERIOR	ZV2-024-08,0-20	ZV2-024-08,0-20	ZV2-024-08,0-20	ZV2-024-08,0-20
GRAND-40-25-W	BASIC	ZV2-230-08,0-20	ZV2-230-08,0-20	ZV2-230-08,0-20	ZV2-230-08,0-20
	COMFORT	ZV2-024-08,0-20	ZV2-024-08,0-20	ZV2-024-08,0-20	ZV2-024-08,0-20
	SUPERIOR	ZV2-024-08,0-20	ZV2-024-08,0-20	ZV2-024-08,0-20	ZV2-024-08,0-20
GRAND-50-10-W	BASIC	ZV2-230-08,0-20	ZV2-230-08,0-20	ZV2-230-08,0-20	ZV2-230-08,0-20
	COMFORT	ZV2-024-08,0-20	ZV2-024-08,0-20	ZV2-024-08,0-20	ZV2-024-08,0-20
	SUPERIOR	ZV2-024-08,0-20	ZV2-024-08,0-20	ZV2-024-08,0-20	ZV2-024-08,0-20
GRAND-50-15-W	BASIC	ZV2-230-08,0-20	ZV2-230-08,0-20	ZV2-230-08,0-20	ZV2-230-08,0-20
	COMFORT	ZV2-024-08,0-20	ZV2-024-08,0-20	ZV2-024-08,0-20	ZV2-024-08,0-20
	SUPERIOR	ZV2-024-08,0-20	ZV2-024-08,0-20	ZV2-024-08,0-20	ZV2-024-08,0-20
GRAND-50-20-W	BASIC	ZV2-230-08,0-20	ZV2-230-08,0-20	ZV2-230-08,0-20	ZV2-230-08,0-20
	COMFORT	ZV2-024-08,0-20	ZV2-024-08,0-20	ZV2-024-08,0-20	ZV2-024-08,0-20
	SUPERIOR	ZV2-024-08,0-20	ZV2-024-08,0-20	ZV2-024-08,0-20	ZV2-024-08,0-20
GRAND-50-25-W	BASIC	ZV2-230-08,0-20	ZV2-230-08,0-20	ZV2-230-08,0-20	ZV2-230-08,0-20
	COMFORT	ZV2-024-08,0-20	ZV2-024-08,0-20	ZV2-024-08,0-20	ZV2-024-08,0-20
	SUPERIOR	ZV2-024-08,0-20	ZV2-024-08,0-20	ZV2-024-08,0-20	ZV2-024-08,0-20

- ▼ [Product overview](#)
- ▼ [Ordering key](#)
- ▼ [Installation](#)
- ▼ [Control](#)
- ▼ [Accessories](#)
- ▼ [Diagrams](#)
- ▼ [Maintenance](#)

DIMENSIONS



Type	Spacing of installation holes A [mm]	Width B [mm]
GRAND-50-10	994	1054
GRAND-50-15	1494	1554
GRAND-50-20	1994	2054
GRAND-50-25	2394	2454

PRODUCT OVERVIEW

- [▼ Product overview](#)
- [▼ Ordering key](#)
- [▼ Installation](#)
- [▼ Control](#)
- [▼ Accessories](#)
- [▼ Diagrams](#)
- [▼ Maintenance](#)



ORDERING KEY

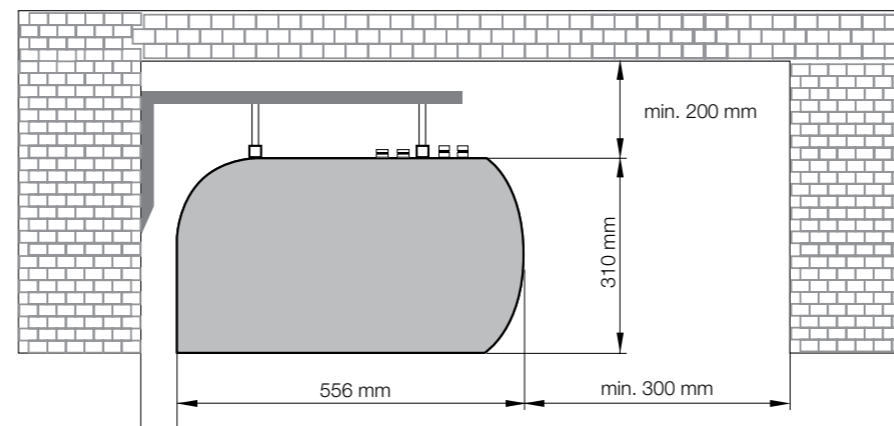
AIR CURTAINS

ORDERING KEY

(1) Air curtain	(2) Installation height	(3) Width [mm]	(4) Heating	(5) Control	(6) Slave/Master	(7) Motor
Grand	- 40	- 10	- W	SU	- MA	- AC
(1) Air curtain: Grand		(4) N – without heating regulation		(5) BA – Basic control (mechanical) CO – Comfort control (touch screen) SU – Superior control (touch screen)		(7) AC – AC motor
(2) Recommended installation height: 40 - 4m installation height 50 - 5m installation height		E10 – with electric heater regulation E15 – with electric heater regulation E19 – with electric heater regulation E25 – with electric heater regulation		(6) SL – SLAVE (only for CO, SU) MA – MASTER (only for CO, SU)		
(3) 10 – 1000mm Width 15 – 1500mm Width 20 – 2000mm Width 25 – 2500mm Width		W – with water heater regulation				

INSTALLATION AND ASSEMBLY

- The air curtain shall be installed in a horizontal position only.
- The air curtain shall be located as close to the top edge of the doorway as possible, see figure.
- To ensure a correct function it is recommended that the air curtain overlaps the doorway by 100 mm on both sides.
- Correct operation of the air curtain requires that specified distances from the surrounding objects are observed, see figure.
- Position of the heating water and power supply connections shall be taken into consideration during installation.
- Suspension holders are used for installing the air curtains see ACCESSORIES.


















- ▼ [Product overview](#)
- ▼ [Ordering key](#)
- ▼ [Installation](#)
- ▼ [Control](#)
- ▼ [Accessories](#)
- ▼ [Diagrams](#)
- ▼ [Maintenance](#)








INSTALLATION

CONTROL

The **GRAND-EC** air curtains are produced with universal interface for control module connection. There are three types of control modules available (BA, CO and SU). Control module is a required accessory for each air curtain. Additional change of control system is available. Control module is connected with air curtain by quick connection sockets. The basic differences among individual control module types are given in table underneath.

				
	Control	BASIC	COMFORT	SUPERIOR
	Type of controller	Manual	Touch screen	Touch screen
	Mode	Manual	Manual / Auto	Manual / Auto
	Control of air output	3 speeds	3 speeds	3 speeds (AC)
	Control of electric heater	OFF / Level1 / Level2	OFF / Level1 / Level2	YES (PWM)
	Control of water heater	ON/OFF	ON/OFF	0-10V
	Antifreeze protection of LPHW	NO	YES	YES
	Possibility of connecting a door contact	YES (230V)	YES (12V)	YES (12V)
	External control	NO	YES	YES
	Temperature measurement	NO	YES (NTC)*	YES (NTC)*
	Chaining air curtains	NO	YES – max 10+1 pcs	YES – max 10+1 pcs
	Indication of selected function	YES	YES (Display)	YES (Display)
	Controller connection to air curtain	Power wire	Communication cable (UTP)	Communication cable (UTP)
	Self learning mode Selbstlernmodus	NO NEIN	NO NEIN	YES JA
	BMS connection	NO	Modbus RTU	Modbus RTU, Modbus TCP, BACnet
	Error contact	NO	YES	YES
	2 nd control panel ready	NO	YES	YES

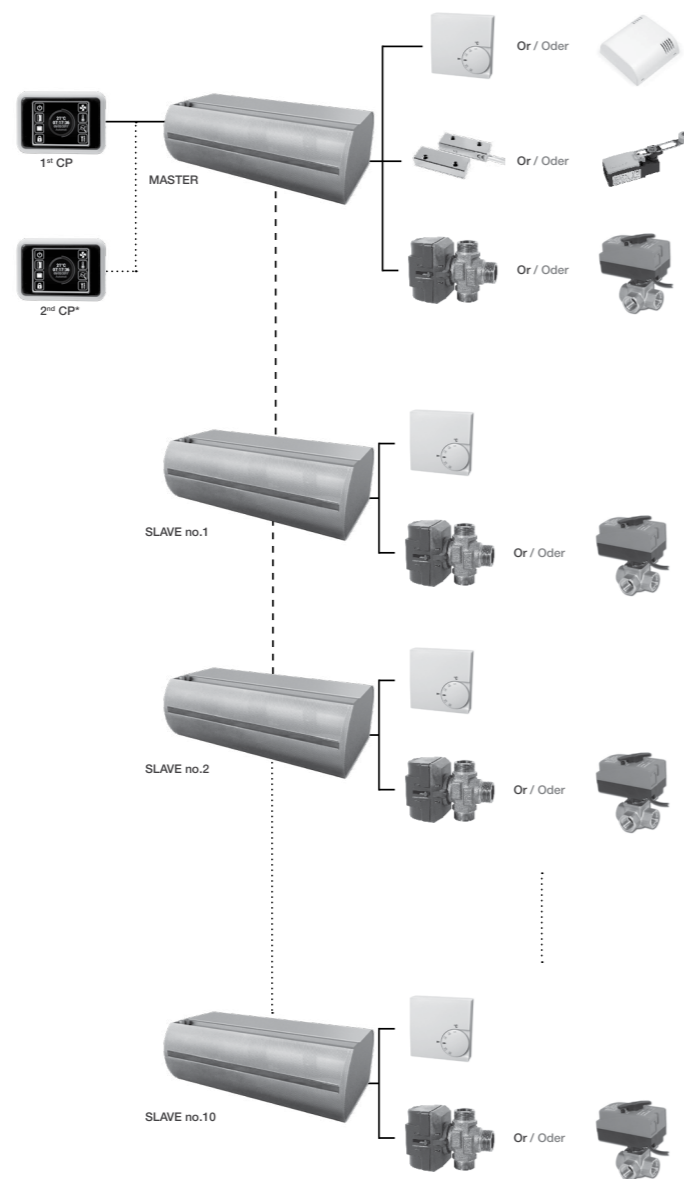
¹⁾ Temperature sensor included in standard. Temperature shown on display.

-  [Product overview](#)
-  [Ordering key](#)
-  [Installation](#)
-  [Control](#)
-  [Accessories](#)
-  [Diagrams](#)
-  [Maintenance](#)

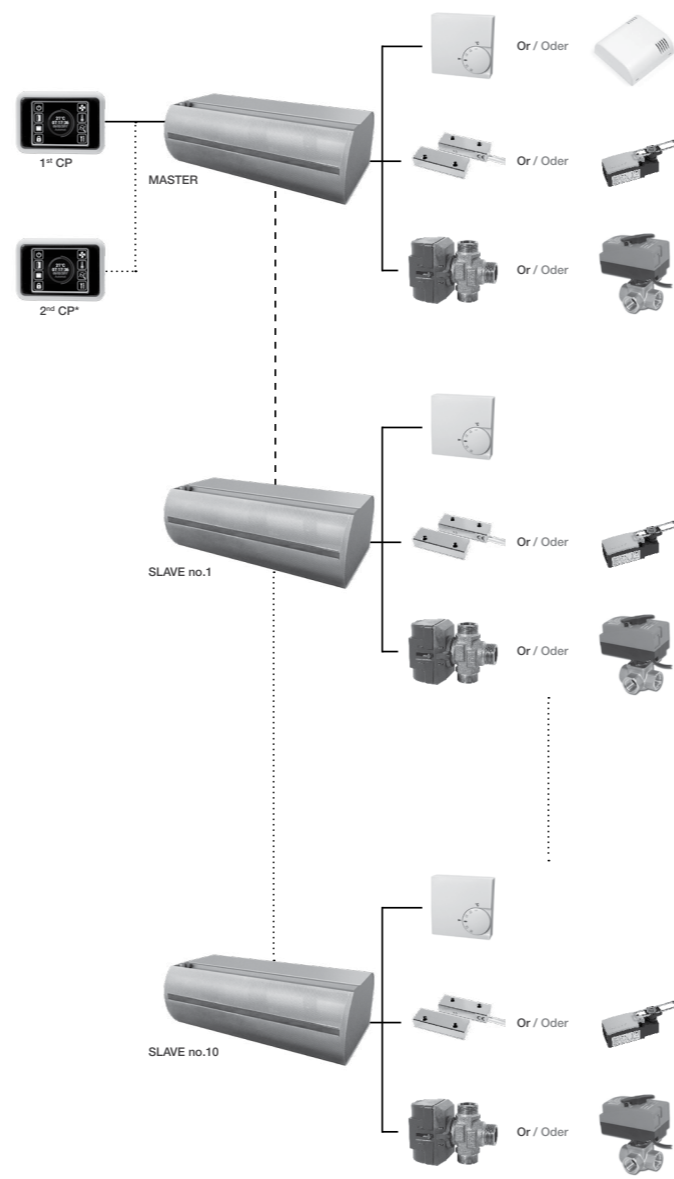
CONTROL

CHAINING EXAMPLE

COMFORT / SUPERIOR Global Door contact function active



COMFORT / SUPERIOR Global Door contact function not active



¹⁾ Optional accessories

- ▼ [Product overview](#)
- ▼ [Ordering key](#)
- ▼ [Installation](#)
- ▼ [Control](#)
- ▼ [Accessories](#)
- ▼ [Diagrams](#)
- ▼ [Maintenance](#)

CONTROL

ACCESSORIES

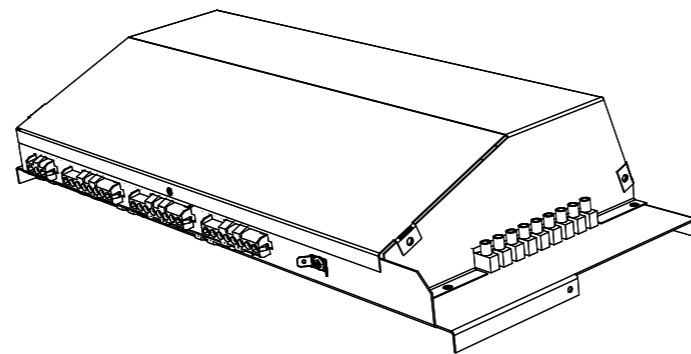
REQUIRED ACCESSORIES

These accessories shall be ordered to make the air curtain functional.

Control module

A control module is a required accessory for air curtain and shall be ordered for each air curtain. Control panel is included in delivery of control module. The ordering key for control modules is provided below.

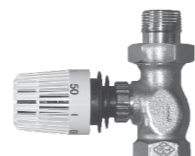
Communication cable has to be ordered separately as an optional accessory.



- ▼ [Product overview](#)
- ▼ [Ordering key](#)
- ▼ [Installation](#)
- ▼ [Control](#)
- ▼ [Accessories](#)
- ▼ [Diagrams](#)
- ▼ [Maintenance](#)

OPTIONAL ACCESSORIES

Thermostatic valve TV-1-1/1
TV-1-1/1



2-way or 3-way valve with servo drive (230V)
ZV2-230-xx,x-xx
ZV3-230-xx,x-xx
(for BA, CO)



3-way valve with servo drive RT
RT-3-07 (K_{vs} 07)
(for control BA, CO)



2way or 3-way valve with servo drive
(0-10V)
ZV2-024-xx,x-xx
ZV3-024-xx,x-xx
(for control SU)



Mixing node
SMU2-230-xx (for control BA, CO)
SMU2-024-xx (for control SU)



Room thermostat
TER-P



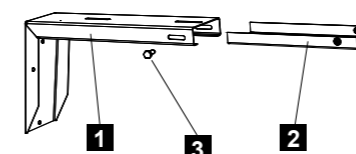
Room temperature sensor
CT-ROOM



Wall mounting bracket

Bracket designed for mounting the air curtain to the wall.

- 1 Bracket
- 2 Hanging strip
- 3 Securing screw



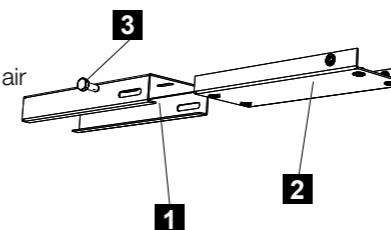
VCS4-KONZ-STE

- for B and C air curtains (2 pcs. in package)
- wall mounting bracket

Ceiling holder

The holder is designed for attaching the air curtain to a ceiling.

- 1 Ceiling bracket
- 2 Hanging strip
- 3 Securing screw



VCS4-KONZ-STR

- for B and C air curtains (2 pcs. in package)
- ceiling holder

Exit sign for marking of emergency exits.

Suitable for all types of air curtains.

VCS4-EXIT



Mechanical industry door switch

DS

Heavy-duty door contact for industry use



Magnetic door contact

Magnetic door contact in metal housing with higher protection against mechanical damage

DK-B-3



2nd Control panel

ND-REMOTE-CONTROL (for control CO, SU)



	BASIC VCS-R2-BA	COMFORT VCS-R4-CO	SUPERIOR VCS-R4-SU
DS	✓	✓*	✓*
DK-B-3	✗	✓	✓

* Recommended for industry use

- ▼ [Product overview](#)
- ▼ [Ordering key](#)
- ▼ [Installation](#)
- ▼ [Control](#)
- ▼ [Accessories](#)
- ▼ [Diagrams](#)
- ▼ [Maintenance](#)

ACCESSORIES

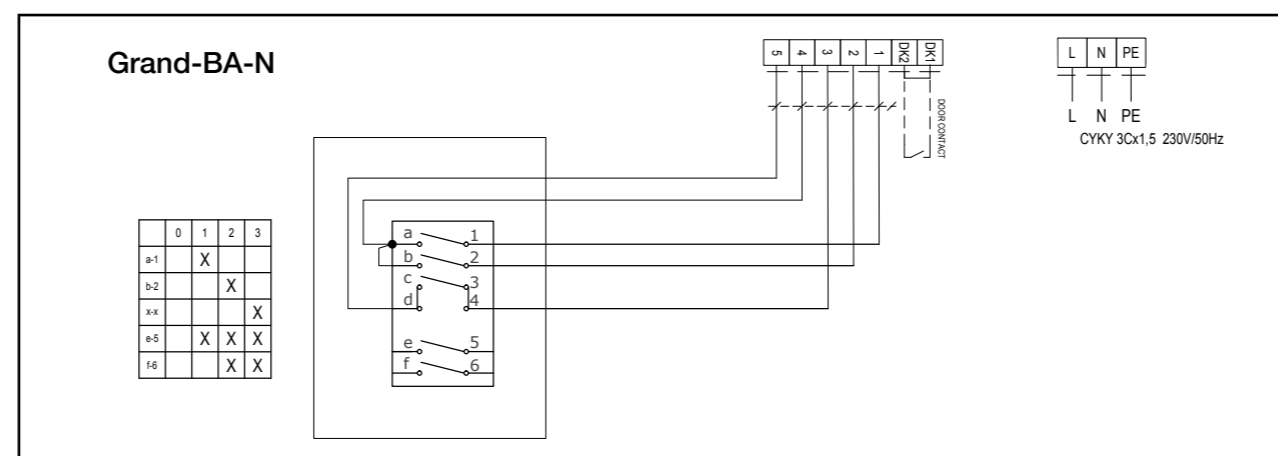
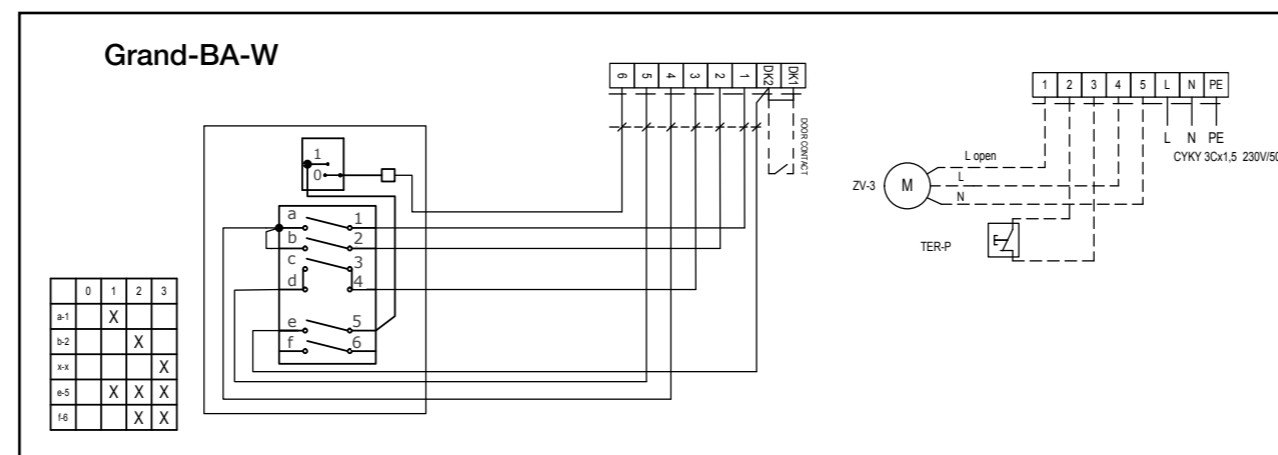
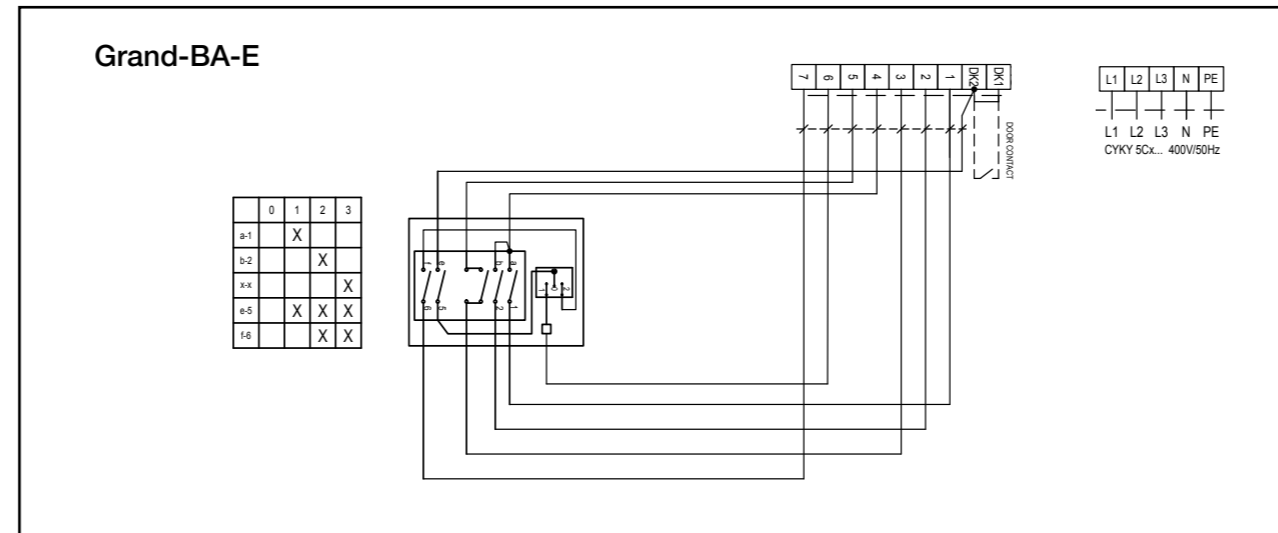


AirGENIO BASIC

WIRING DIAGRAMS

The recommended cross-section of the main power supply cables is stated in the Instruction Manual.

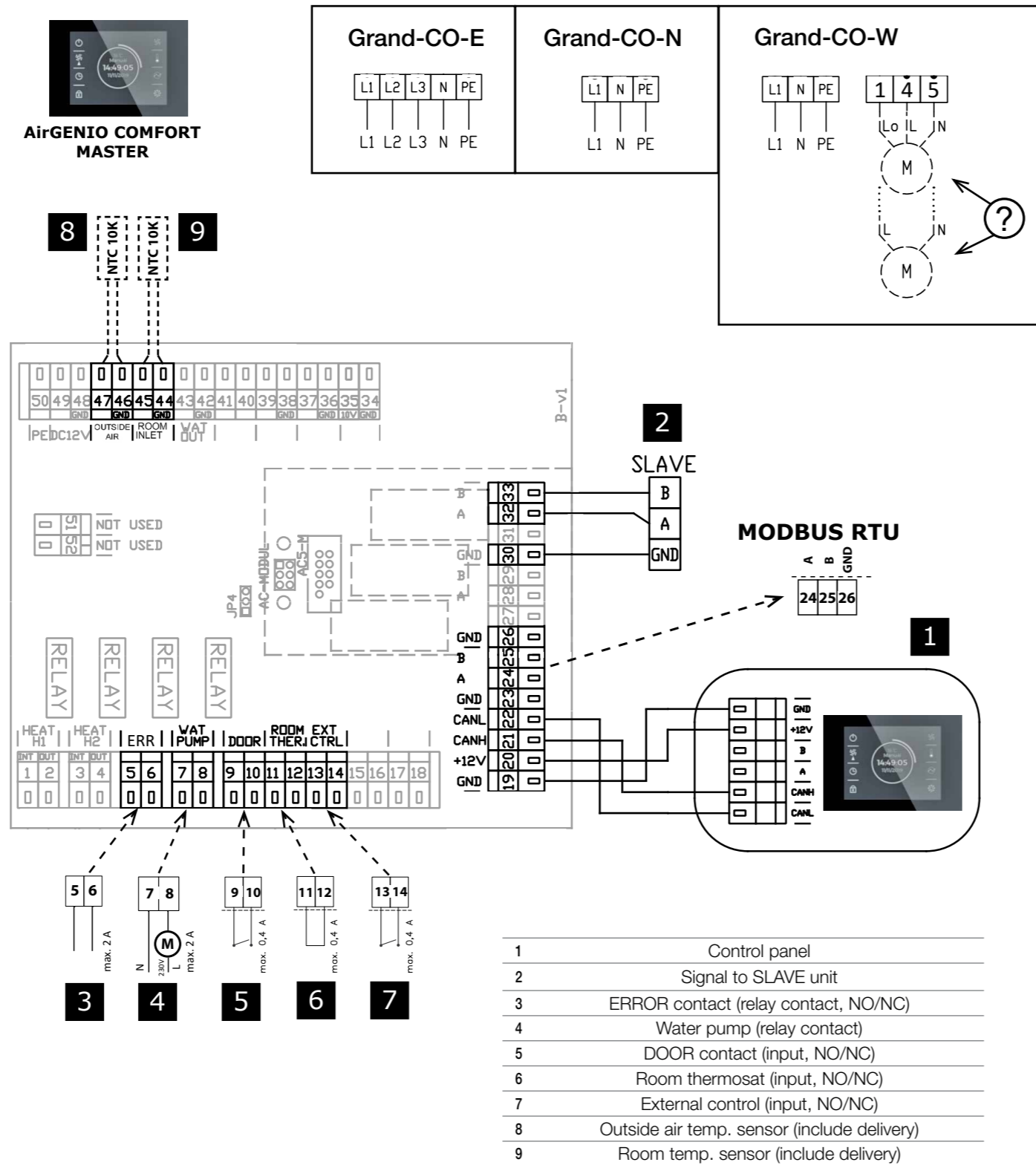
All wiring diagrams provided in the technical catalog are indicative only. When assembling the product, carefully observe the nameplate ratings as well as directions and diagrams affixed directly to the product or enclosed with the product.



- ▼ [Product overview](#)
- ▼ [Ordering key](#)
- ▼ [Installation](#)
- ▼ [Control](#)
- ▼ [Accessories](#)
- ▼ [Diagrams](#)
- ▼ [Maintenance](#)

DIAGRAMS

WIRING DIAGRAMS

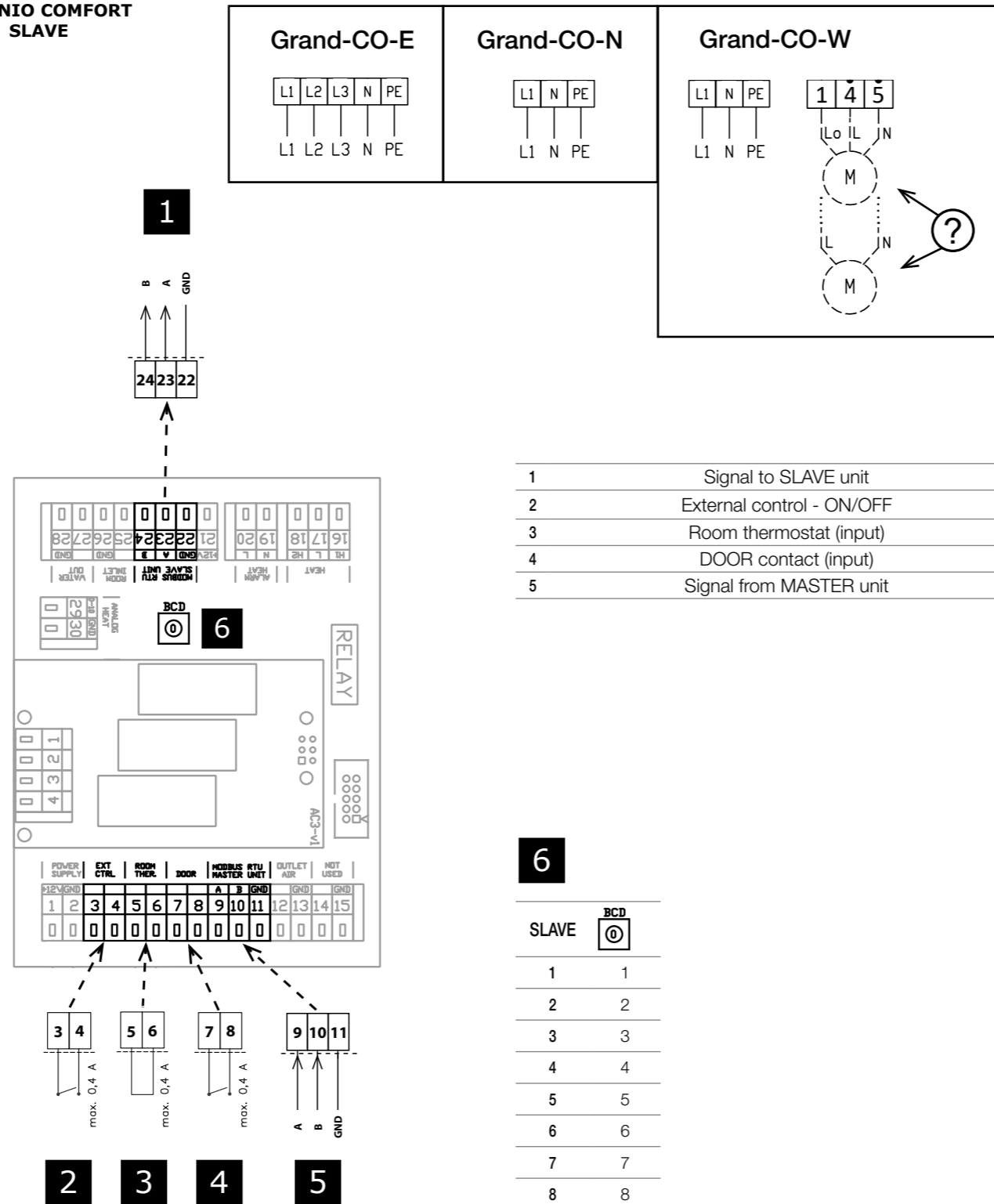


- ▼ [Product overview](#)
- ▼ [Ordering key](#)
- ▼ [Installation](#)
- ▼ [Control](#)
- ▼ [Accessories](#)
- ▼ [Diagrams](#)
- ▼ [Maintenance](#)

DIAGRAMS

WIRING DIAGRAMS

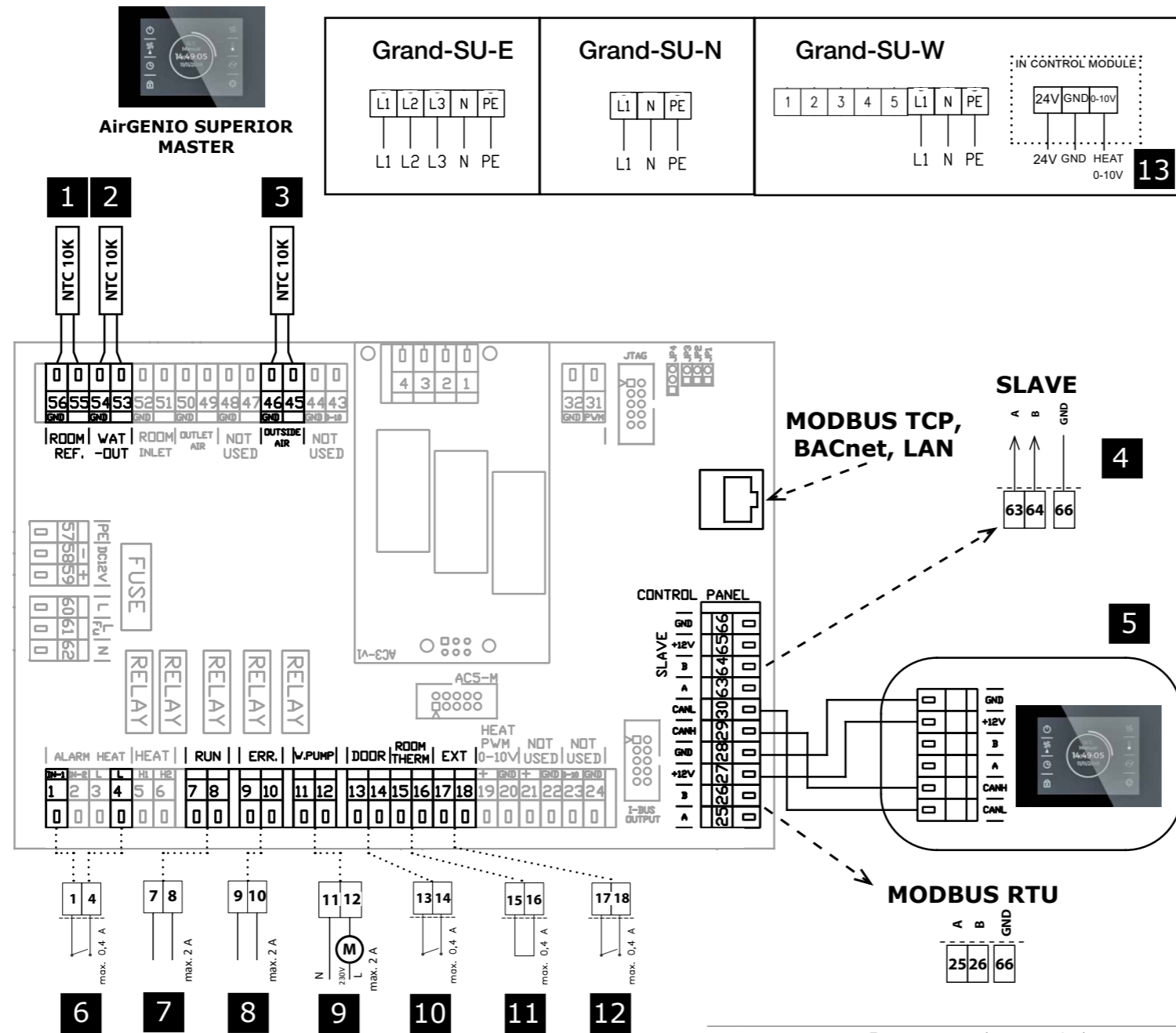
**AirGENIO COMFORT
SLAVE**



- ▼ [Product overview](#)
- ▼ [Ordering key](#)
- ▼ [Installation](#)
- ▼ [Control](#)
- ▼ [Accessories](#)
- ▼ [Diagrams](#)
- ▼ [Maintenance](#)

DIAGRAMS

WIRING DIAGRAMS

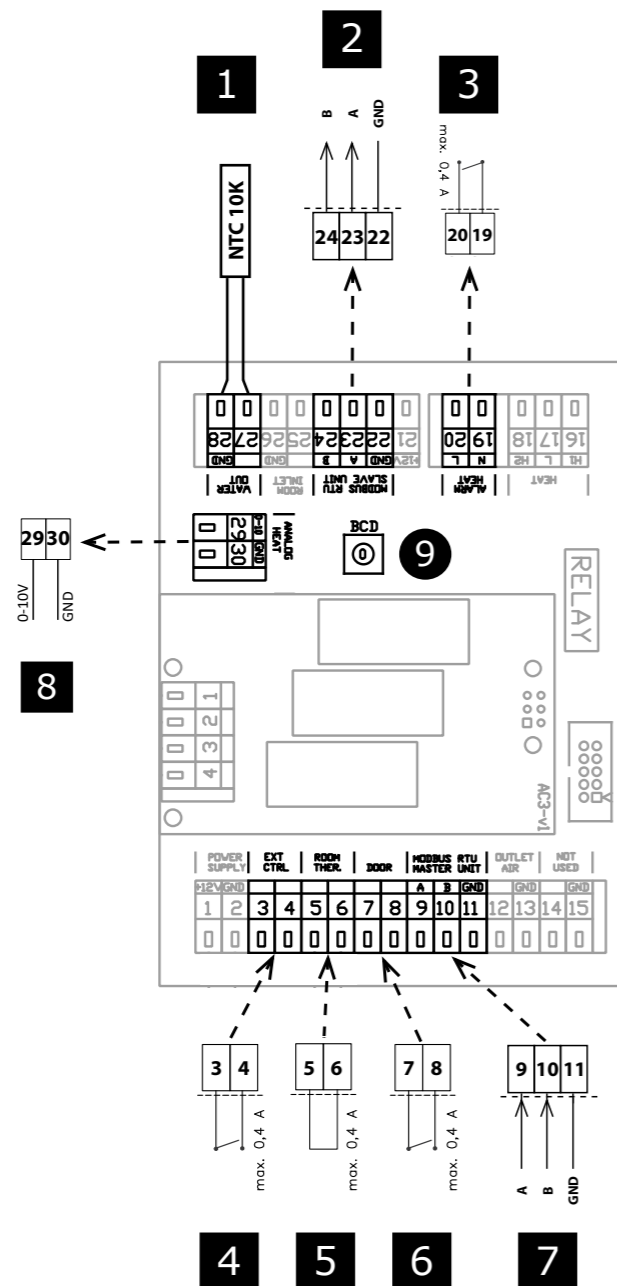
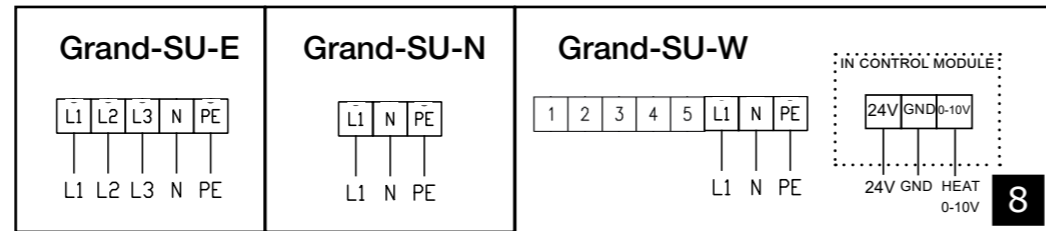


- 1 Room sensor (accessories)
- 2 LPHW out sensor (included in delivery)
- 3 Outside air sensor (included in delivery)
- 4 Signal to SLAVE unit
- 5 Control panel
- 6 Antifreeze thermostat (NC)
- 7 RUN contact (relay contact, NO/NC)
- 8 ERROR contact (relay contact, NO/NC)
- 9 Water pump (relay contact)
- 10 DOOR contact (input, NO/NC)
- 11 Room thermostat (input, NO/NC)
- 12 External control (input, NO/NC)
- 13 Water valve control (0-10V)

- Product overview
- Ordering key
- Installation
- Control
- Accessories
- Diagrams
- Maintenance

DIAGRAMS

**AirGENIO SUPERIOR
SLAVE**



1	LPHW out sensor (included in delivery)
2	Signal to SLAVE unit
3	Antifreeze thermostat (NC)
4	External control - ON/OFF
5	Room thermostat (input)
6	DOOR contact (input)
7	Signal from MASTER unit
8	Water valve control (0-10V)

9

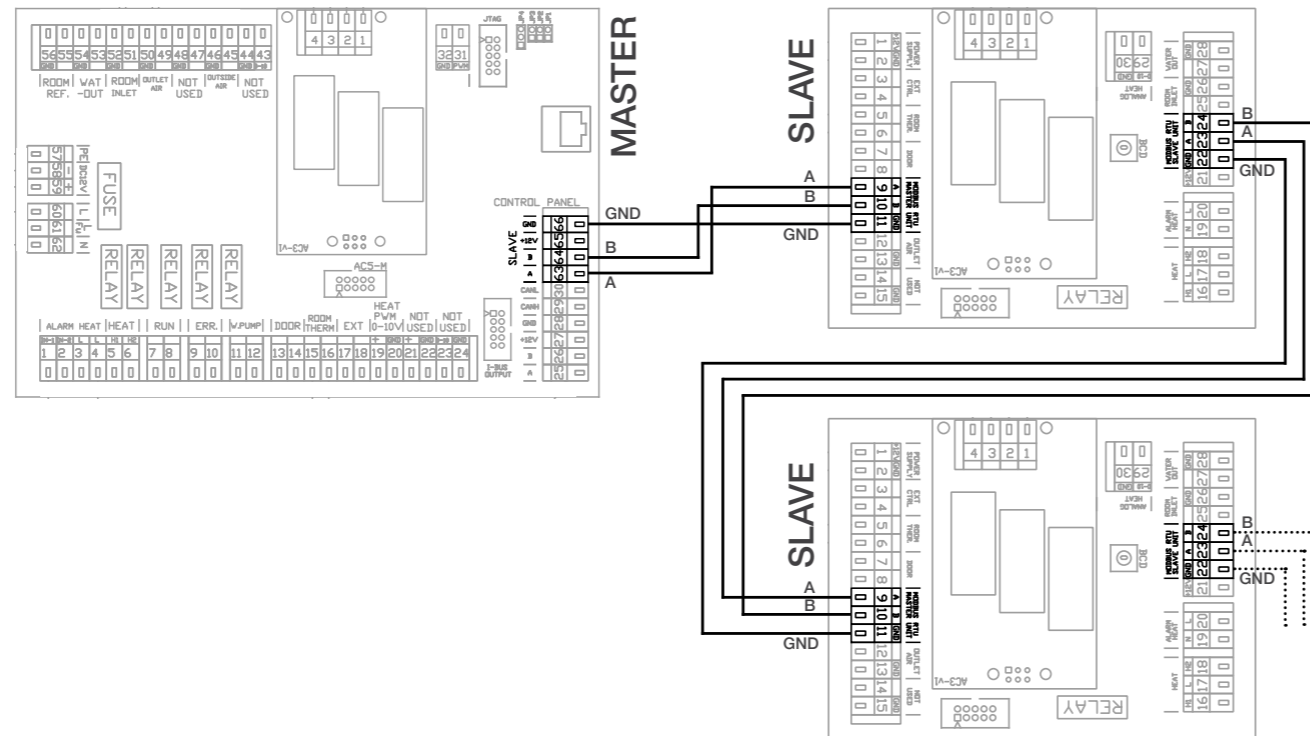
SLAVE	BCD
1	1
2	2
3	3
4	4
5	5
6	6
7	7
8	8
9	9
10	A

- ▼ [Product overview](#)
- ▼ [Ordering key](#)
- ▼ [Installation](#)
- ▼ [Control](#)
- ▼ [Accessories](#)
- ▼ [Diagrams](#)
- ▼ [Maintenance](#)

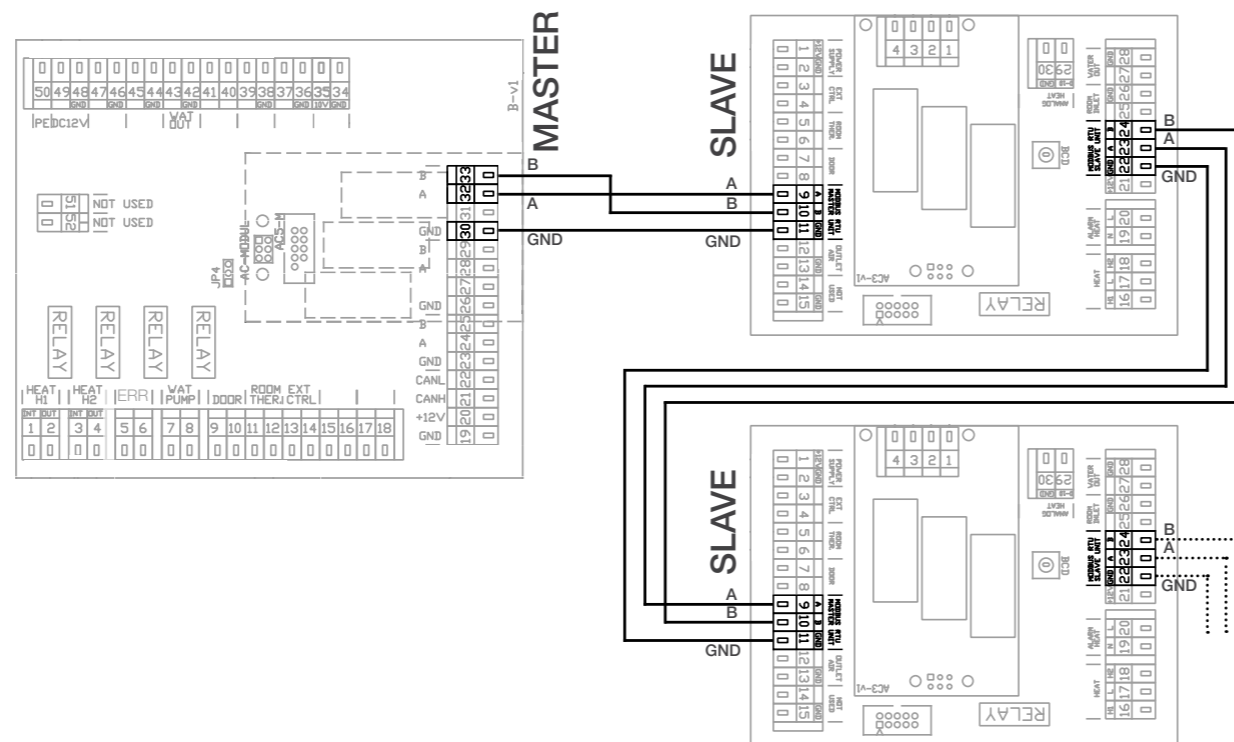
DIAGRAMS

WIRING DIAGRAMS

SUPERIOR



COMFORT



- ▼ [Product overview](#)
- ▼ [Ordering key](#)
- ▼ [Installation](#)
- ▼ [Control](#)
- ▼ [Accessories](#)
- ▼ [Diagrams](#)
- ▼ [Maintenance](#)

DIAGRAMS



- ▼ [Product overview](#)
- ▼ [Ordering key](#)
- ▼ [Installation](#)
- ▼ [Control](#)
- ▼ [Accessories](#)
- ▼ [Diagrams](#)
- ▼ [Maintenance](#)



TRANSPORT

After arrival, check the product for transport damage and shortcomings. In case of any damage or shortcomings, immediately contact your supplier.

STORAGE

If the product is not installed immediately:

- Remove any wrapping.
- Protect product from dust and contamination.
- Do not expose the damper to the effects of weather, store the damper in a dry place.

Please properly dispose of packaging material!

MAINTENANCE AND OPERATION

Klimaoprema products are designed as such do not require cleaning and regular maintenance. However, mechanism should be systematically cleaned for proper operation.

- Provide a systematic cleaning of dust
- Cleaning instruction: clean with a sponge, with water or a mild detergent


COMMISSIONING

- Carefully unpack - be careful of sharp edges and do not use excessive force for unpacking
- Ensure that all grilles are clean and free from residues and foreign matter.
- Ensure that the devices have been correctly installed
- Before commissioning: check the product functions



AIR CURTAINS / LUFTSCHLEIER

Design, Herstellung und Wartung von Geräten für Klimatisierung, Lüftung und Reinräume.
Design, production and service of Ventilation, Air-Conditioning and Clean room equipment.

-  Gradna 78A, 10430 Samobor, Croatia
-  +385 (0)1 33 62 513
-  info@klimaoprema.com
-  www.klimaoprema.com