

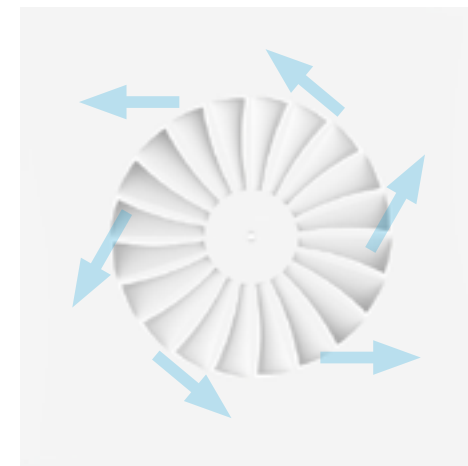
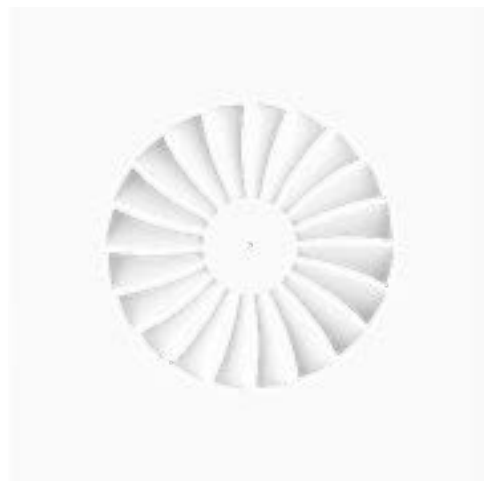
Product manual

Diffusers

DVF

Air distribution

Version 1.0.0
Date: 09.04.2024.



DVF

- Ceiling diffuser for room heights from 2,3 to 4m.
- Frame and blades made out of steel sheet, standard RAL 9010
- Fixed blades
- Fixing with central screw

Options

- RAL...
- Plenum box

▼ SOLVEAIR

▼ ORDERING KEY

▼ DIAGRAM



MODELS

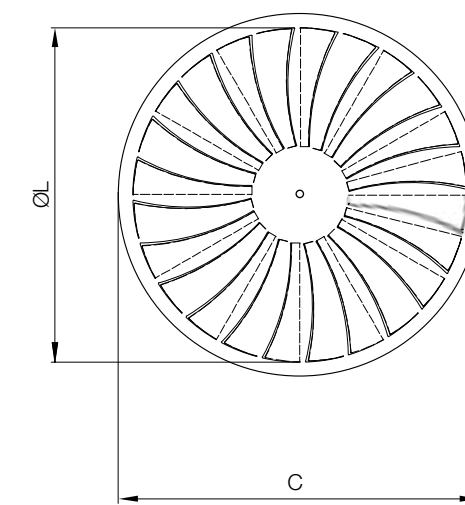
AIR DISTRIBUTION

Dimensions

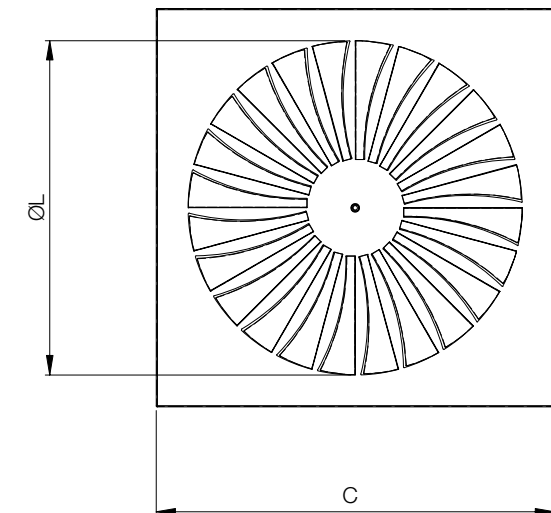
Size	ØC [mm]	∇C [mm]	ØL [mm]	A _{ef} [m ²]
300	298	295	244	0,0155
400	398	395	320	0,0264
500	498	495	420	0,0414
600	595	595	520	0,0590
625	595	620	520	0,0590

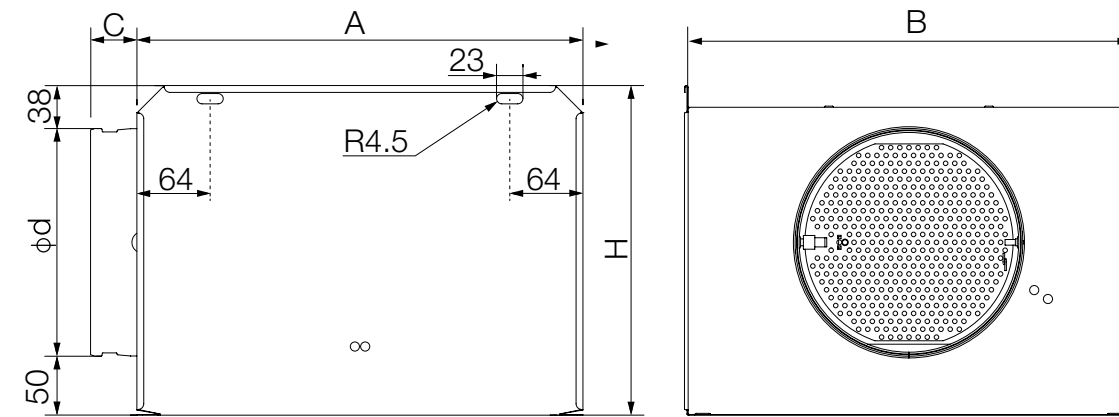
Plenum box dimensions	PBQ	PBR
300	300	300
400	400	400
500	500	500
600	600	600
625	600	600

DVF-R



DVF-Q



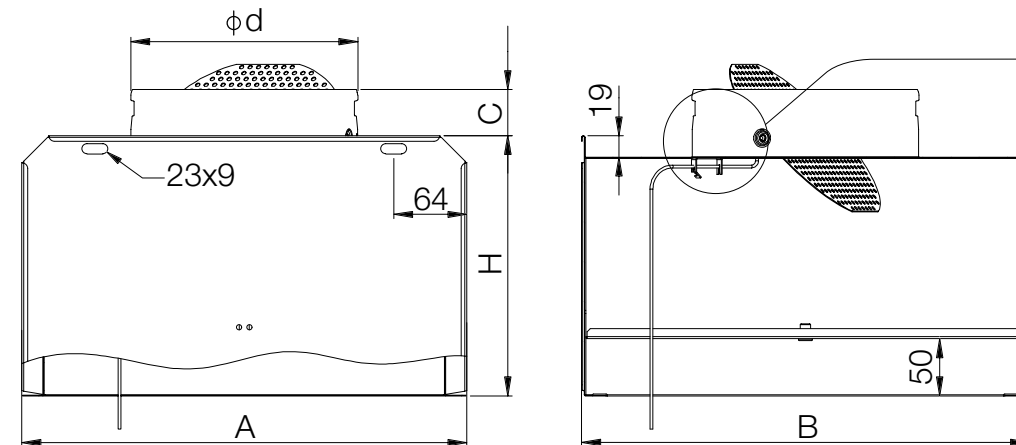


PBQ-H

- Square plenum box design
- Horizontal duct connection
- Vertical duct connection
- Fixing with a central screw
- Manual flow adjustment via cable mechanism
- Possible with 5mm internal insulation

Model	Ød	AxB	H	C
300	160	290 x 292,5	248	40,5
400	200	390 x 392,5	288	40,5
500	200	490 x 492,5	288	40,5
600	250	590 x 592,5	338	40,5
625	250	615 x 617,5	338	40,5

- ▶ SOLVEAIR
- ▶ ORDERING KEY
- ▶ DIAGRAM



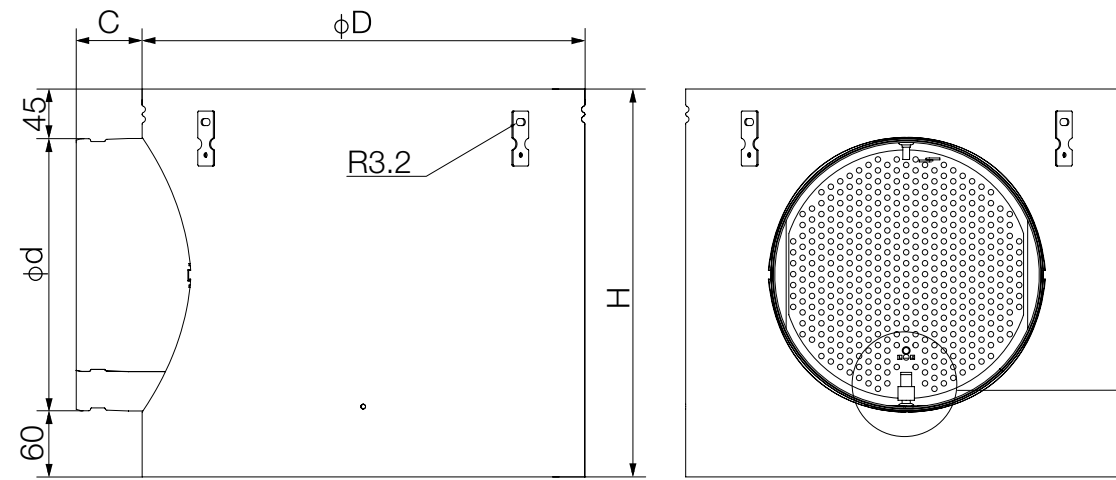
PBQ-V

- Square plenum box design
- Vertical duct connection
- Fixing with a central screw
- Manual flow adjustment via cable mechanism
- Possible with 5mm internal insulation

Model	Ød	AxB	H	C
300	160	290 x 292,5	228	40,5
400	200	390 x 392,5	228	40,5
500	200	490 x 492,5	228	40,5
600	250	590 x 592,5	228	40,5
625	250	615 x 617,5	228	40,5

▶ PLENUM BOXES





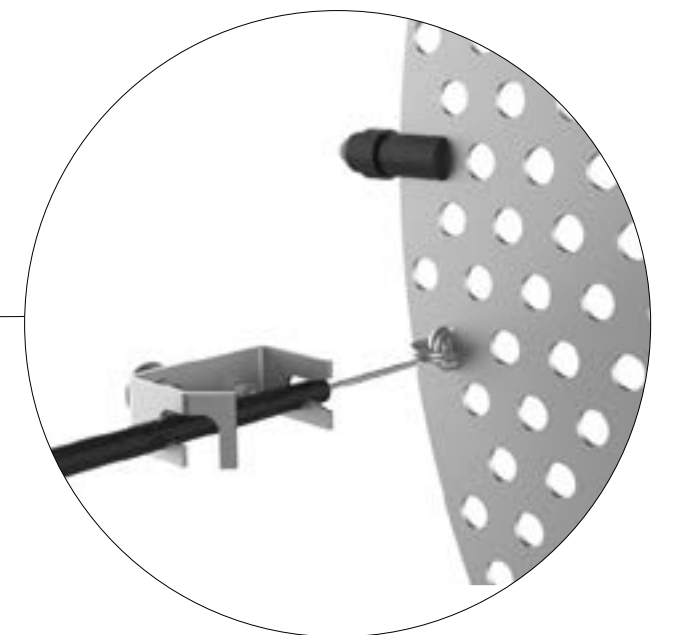
PBR

- Plenum box for round diffusor plates
- Round plenum with horizontal spigot connection
- Available in RAL, suitable for visible installation
- Fixing with a central screw
- Manual flow adjustment via cable mechanism
- Possible with 5mm internal insulation

Model	ØD	Ød	H	C
300	284	158	263	60
400	384	198	303	60
500	484	198	303	60
600	590	248	353	60
625	615	248	353	60

- ▶ SOLVEAIR
- ▶ ORDERING KEY
- ▶ DIAGRAM

 PLENUM BOXES



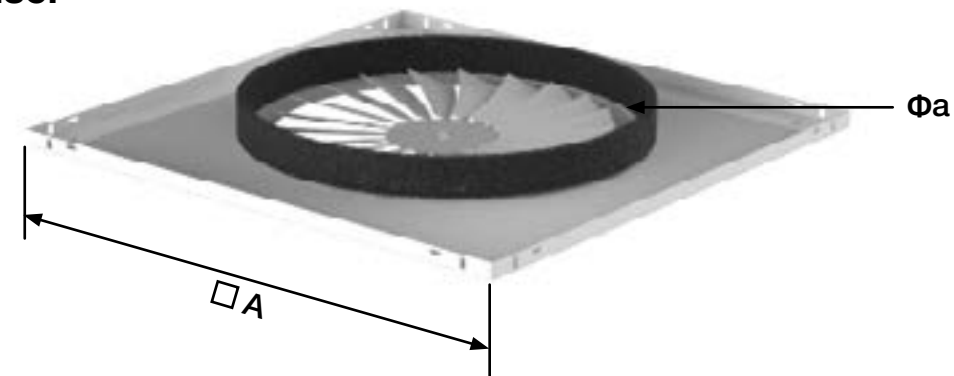
Ordering keys

PBQ-H / PBQ-V

PBR



Diffuser



- ▼ SOLVEAIR ▼ DIAGRAM
- ▼ ORDERING KEY

ORDERING KEYS

(1) Plenum box	(2) Size	(3) Insulation
PBQ-H	- 600	- Z

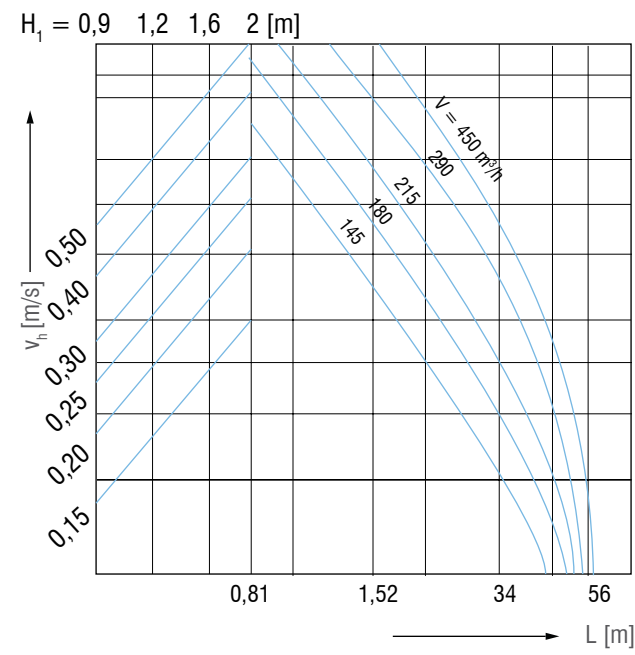
(1) Diffuser shape	(2) Size	(3) RAL
DVF-R	- 600	- 4007

- (1) **PBQ-H** - rectangular plenum box
PBQ-V - rectangular plenum box
PBR - cylindrical plenum box
- (2) Size **300, 400, 500, 600**
- (3) Insulation: **Z**
*Z1 - polyethylene FRM 5mm insulation
*Z2 - I-Fiber 20mm insulation

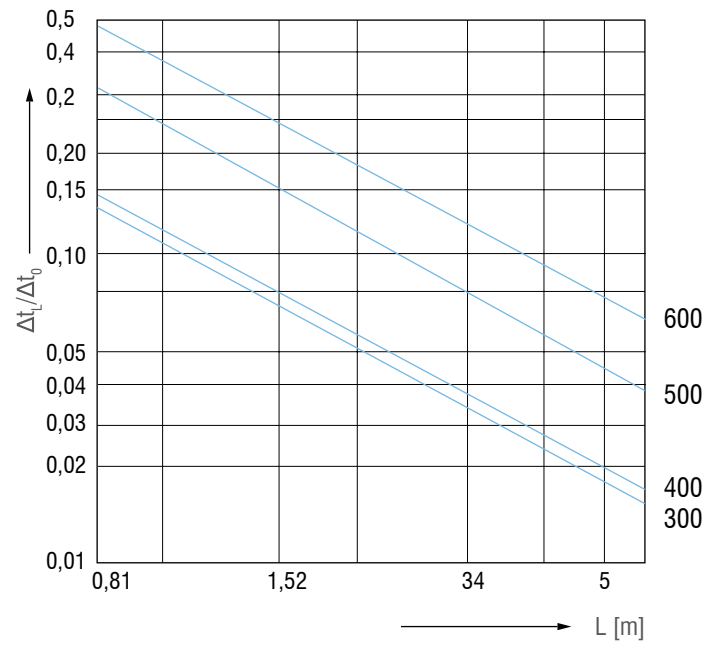
* For PBR plenum box

- (1) **DVF-Q** - rectangular shape
DVF-R - cylindrical shape
- (2) Diffuser size **300, 400, 500, 600**
- (3) **RAL**

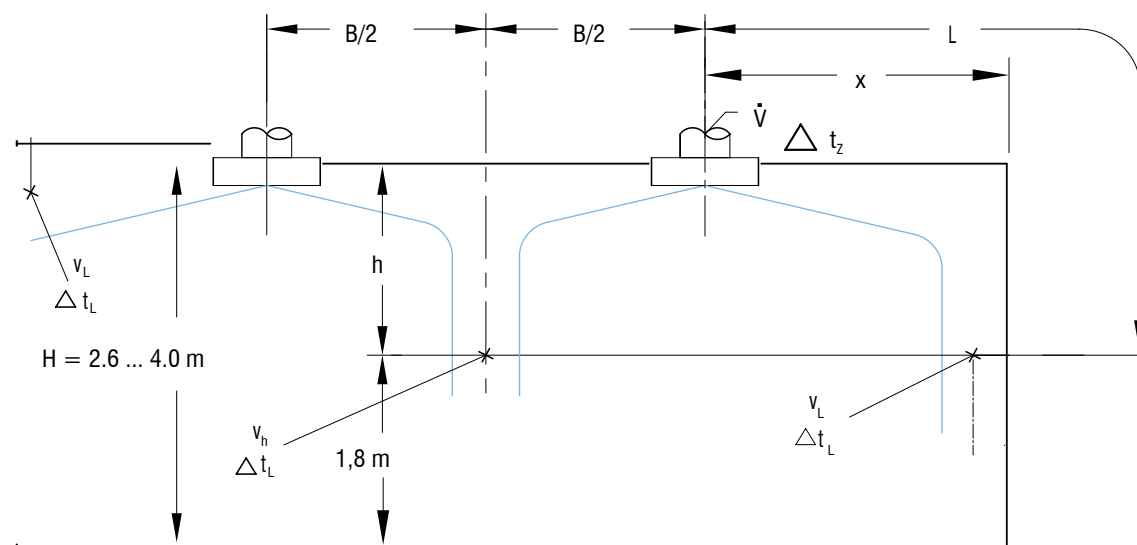
Core jet velocity



Temperature ratio at a distance L



Discharge diagram







- ▶ SOLVEAIR ▶ DIAGRAM
- ▶ ORDERING KEY

☰ DIAGRAMS



AIR DISTRIBUTION

Projektiranje, proizvodnja i održavanje opreme za klimatizaciju, ventilaciju i čiste prostore.
Design, production and service of Ventilation, Air-Conditioning and Cleanroom equipment.

-  Gradna 78A, 10430 Samobor, Croatia
-  +385 (0)1 33 62 513
-  info@klimaoprema.com
-  www.klimaoprema.com