

Product manual

# Displacement diffusers

TAD-F, TAD-R

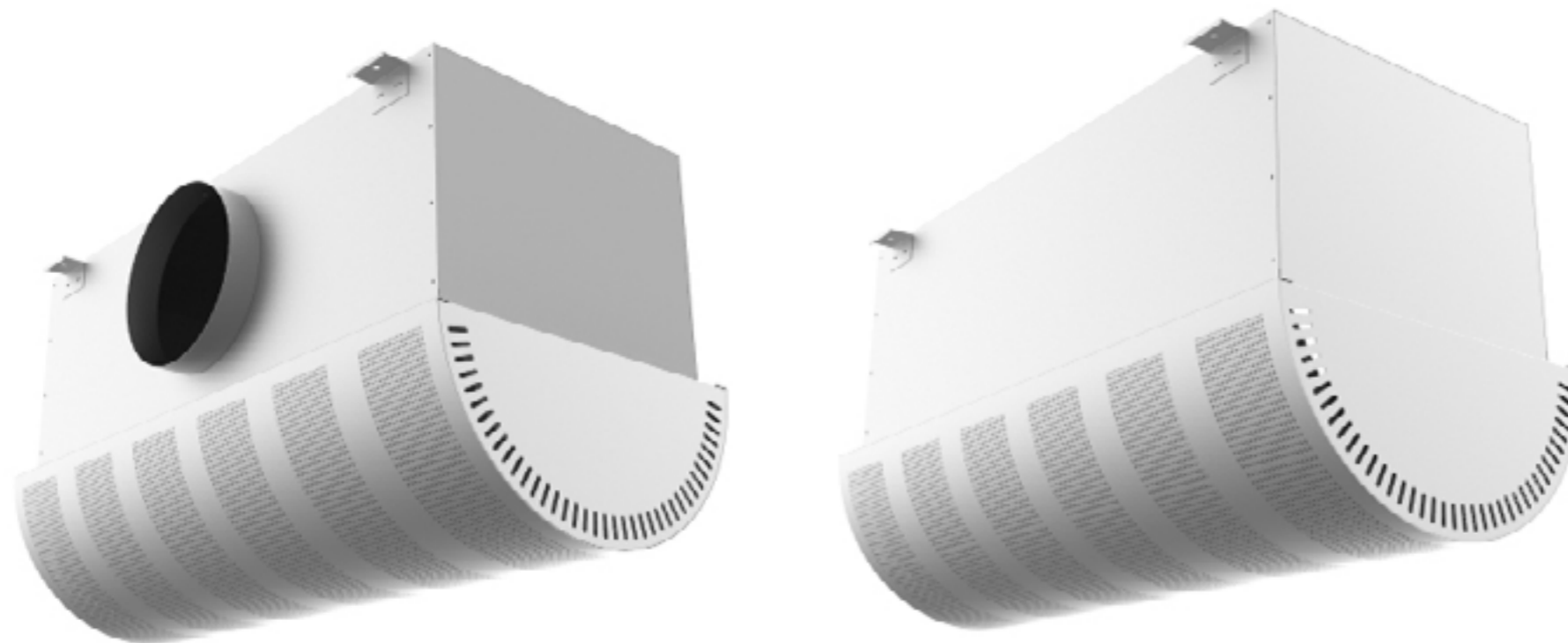
Air distribution

Version 1.0.0  
Date: 24.07.2024.

# AIR DISPLACEMENT DIFFUSER TAD-R

TAD is a low-impulse diffuser for ceiling installation.  
The diffuser is suitable for the supply of replacement/make up air in commercial  
kitchens, laboratories etc.

- Options:
- Damper
  - Filter



[DIFFUSER TAD-R](#)

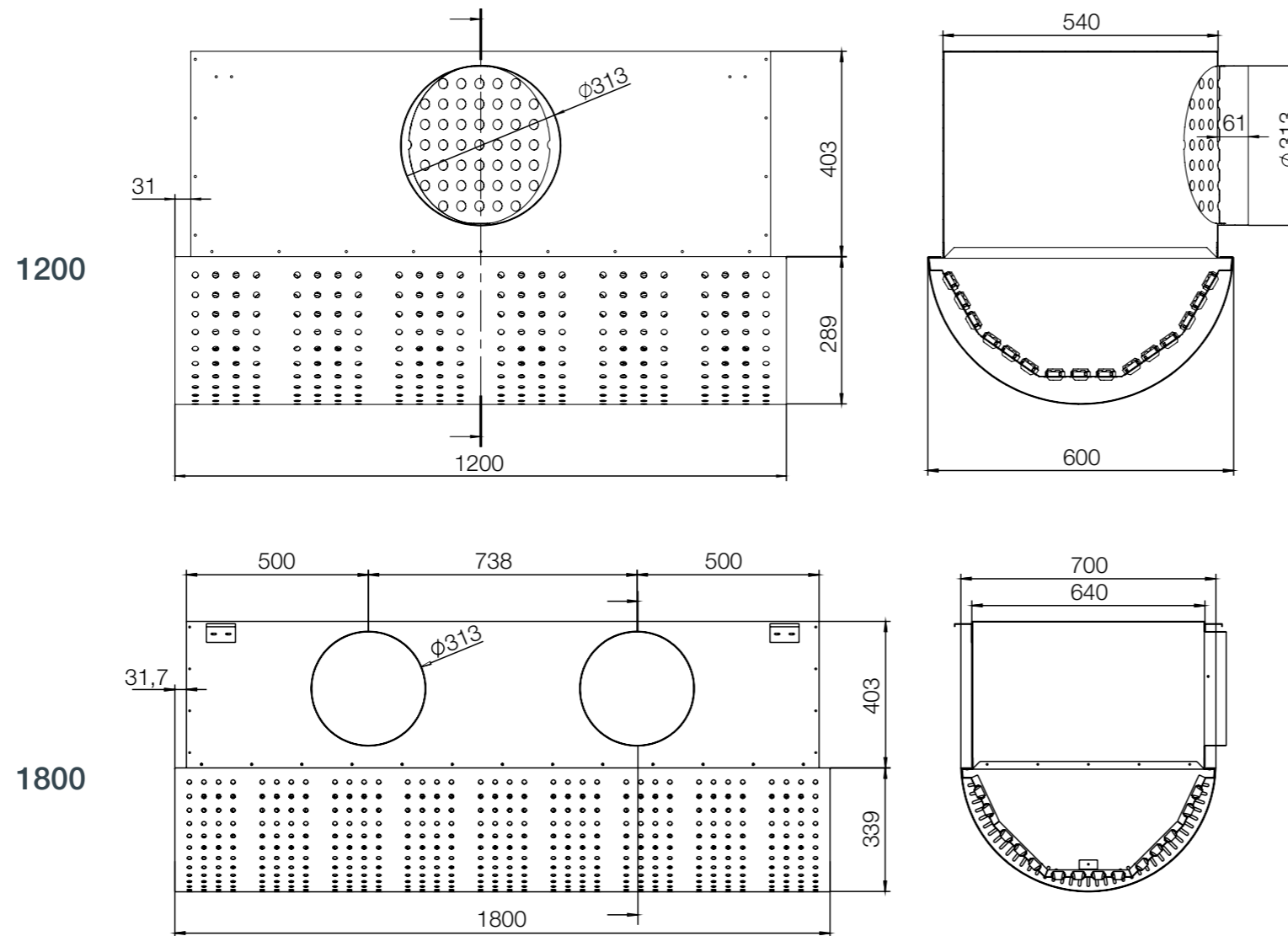
[DIFFUSER TAD-F](#)

[ORDERING KEY](#)

[PRODUCT  
CALCULATION  
SOFTWARE](#)

[PRODUCT OVERVIEW](#)

## DIMENSIONS



- DIFFUSER TAD-R
- DIFFUSER TAD-F
- ORDERING KEY



PRODUCT OVERVIEW

Length	Connection diameter ød [mm]	Effective area $A_{ef}$ [mm <sup>2</sup> ]	Effective velocity $V_{ef}$ [mm/s]	Throw for velocity 0,2m/s, [m]	Sound power level $L_{wa}$ , [dB(A)]	Pressure drop [Pa]
1200	1x315	1.02	0.27	0.83	<20	<4
1800	2x315	0.60	0.46	1.08	<20	<4

# AIR DISPLACEMENT DIFFUSER TAD-F

TAD is a low-impulse diffuser for ceiling installation.  
The diffuser is suitable for the supply of replacement/make up air in commercial  
kitchens, laboratories etc.

- Options:
- Damper
  - Filter

[DIFFUSER TAD-R](#)

[DIFFUSER TAD-F](#)

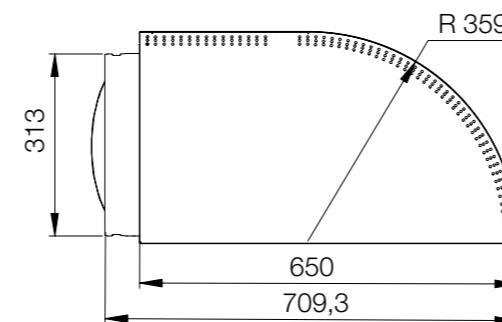
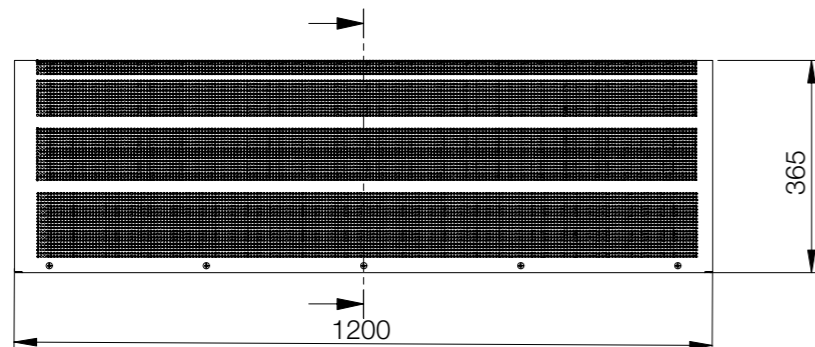
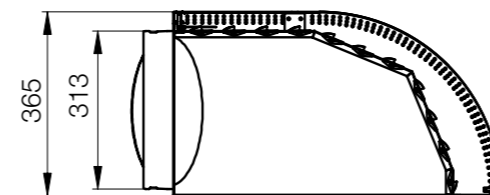
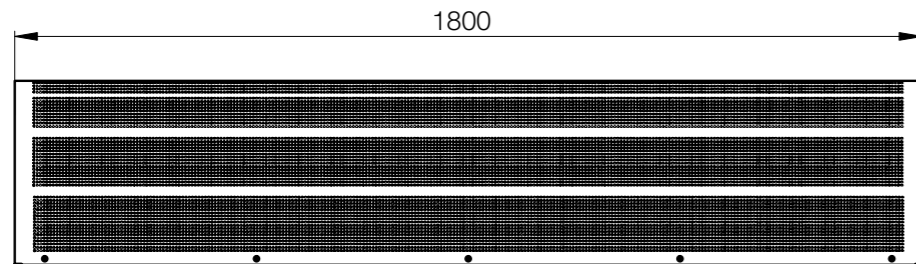
[ORDERING KEY](#)

[PRODUCT  
CALCULATION  
SOFTWARE](#)



[PRODUCT OVERVIEW](#)

## DIMENSIONS



- ▼ DIFFUSER TAD-R
- ▼ DIFFUSER TAD-F
- ▼ ORDERING KEY



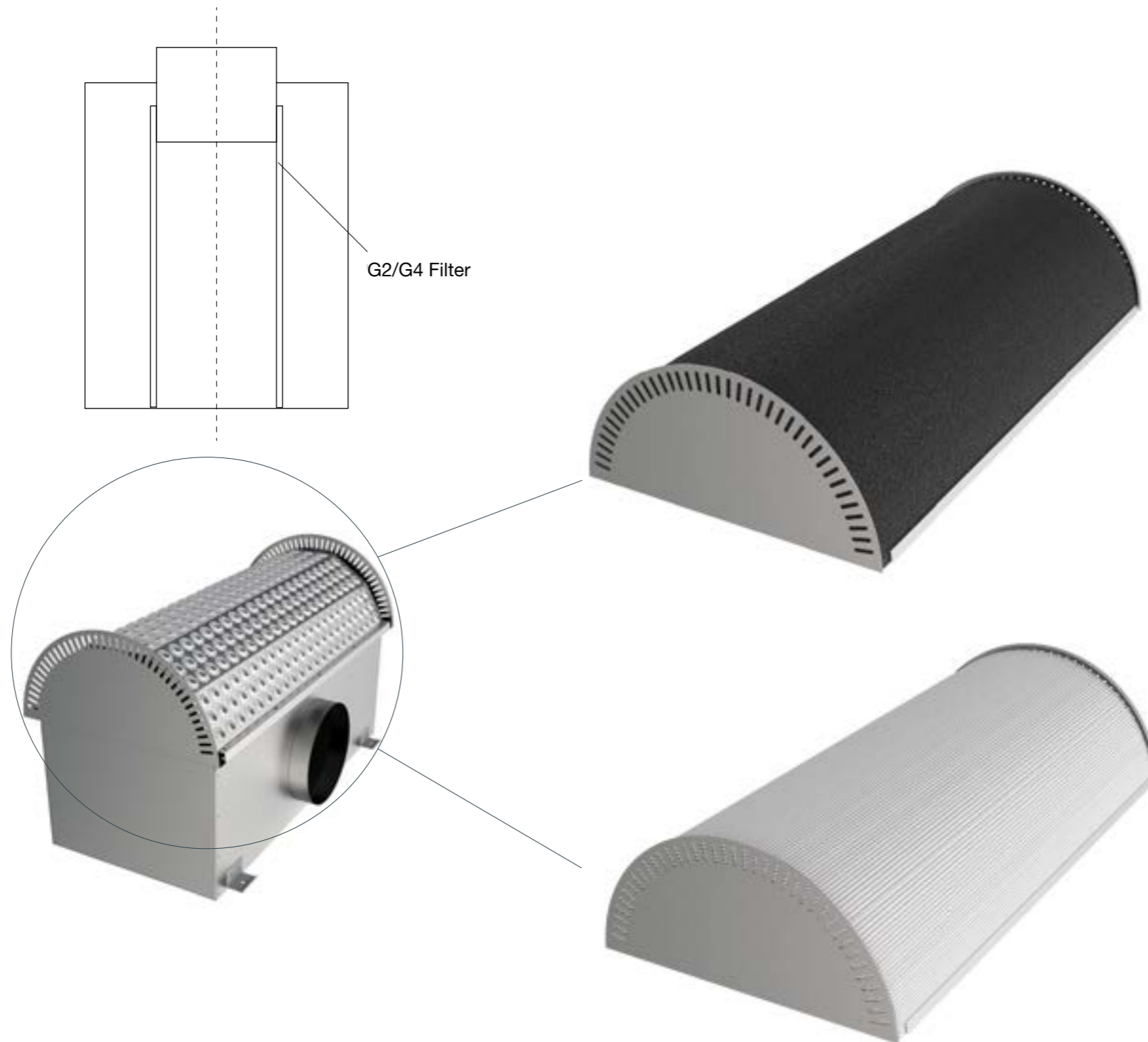
PRODUCT OVERVIEW

Lenght	Connection diameter ød [mm]	Effective area $A_{ef}$ [mm]	Effective velocity $V_{ef}$ [mm]	Domest 0,2m/s, [m]	Sound power level $L_{wa}$ , [dB(A)]	Pressure drop [Pa]
1200	1x315	0.39	0.71	1.33	31	11
1800	2x315	0.60	0.46	1.08	21	5

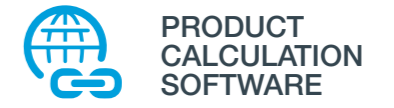


### Filter

G2 or G4 - conical stabilization filter placed inside diffuser, made out of G2 or G4 class filtration material

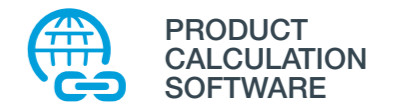


- ▼ DIFFUSER TAD-R
- ▼ DIFFUSER TAD-F
- ▼ ORDERING KEY





- [▼ DIFFUSER TAD-R](#)
- [▼ DIFFUSER TAD-F](#)
- [▼ ORDERING KEY](#)



PRODUCT  
CALCULATION  
SOFTWARE



ORDERING KEYS

### Ordering key TAD-R, TAD-F

(1) Diffuser (2) Size (3) Filter (4) RAL

TAD-F	-	1200	-	G4	-	9010
-------	---	------	---	----	---	------

- (1) Diffuser  
**TAD-F, TAD-R**
- (2) Length (mm): **1200, 1800** (TAD-F, TAD-R)
- (3) Filter: **G2, G4**
- (4) **RAL**



## AIR DISTRIBUTION

---

Projektiranje, proizvodnja i održavanje opreme za klimatizaciju, ventilaciju i čiste prostore.  
Design, production and service of Ventilation, Air-Conditioning and Cleanroom equipment.

---

📍 Gradna 78A, 10430 Samobor, Croatia

☎ +385 (0)1 33 62 513

✉ info@klimaoprema.com

🌐 www.klimaoprema.com